

NOTES

FOR ELASTOMERIC BEARINGS, SEE SPECIAL PROVISIONS.

AT ALL FIXED POINTS OF SUPPORT, NUTS FOR ANCHOR BOLTS ARE TO BE TIGHTENED FINGER TIGHT AND THEN BACKED OFF 1/2 TURN. THE THREAD OF THE NUT AND BOLT SHALL THEN BE BURRED WITH A SHARP POINTED TOOL.

THE 2" Ø PIPE SLEEVE SHALL BE CUT FROM SCHEDULE 40 PVC PLASTIC PIPE. THE PVC PLASTIC PIPE SHALL MEET THE REQUIREMENTS OF ASTM D1785.

STEEL SOLE PLATES, ANCHOR BOLTS, NUTS, AND WASHERS SHALL BE GALVANIZED IN ACCORDANCE WITH THE STANDARD SPECIFICATIONS.

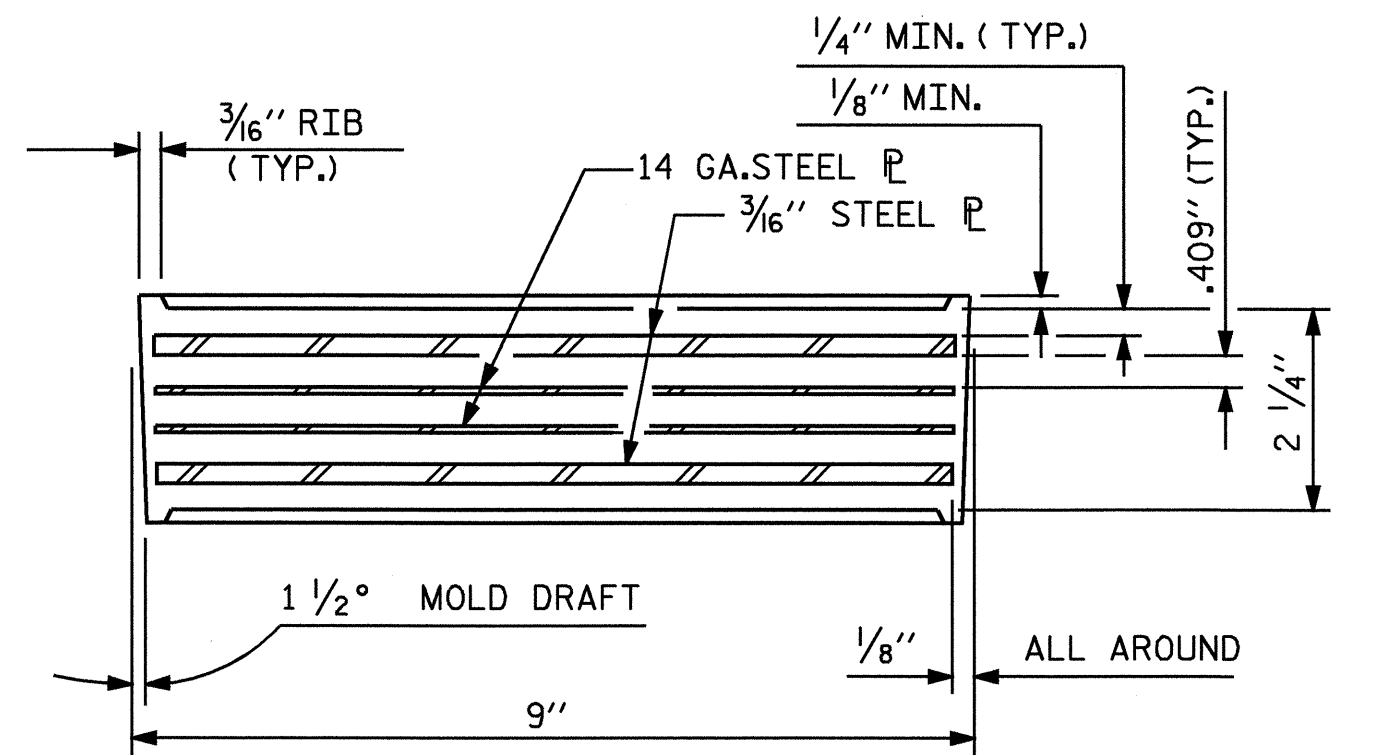
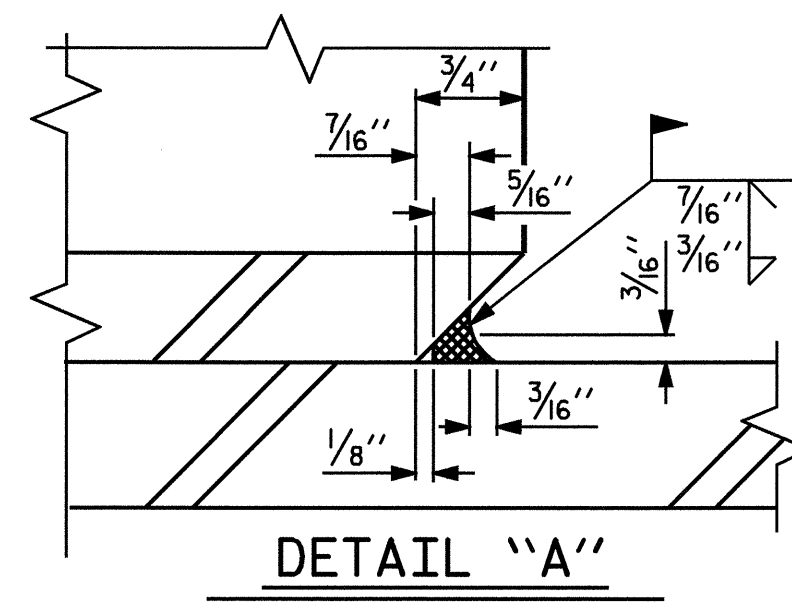
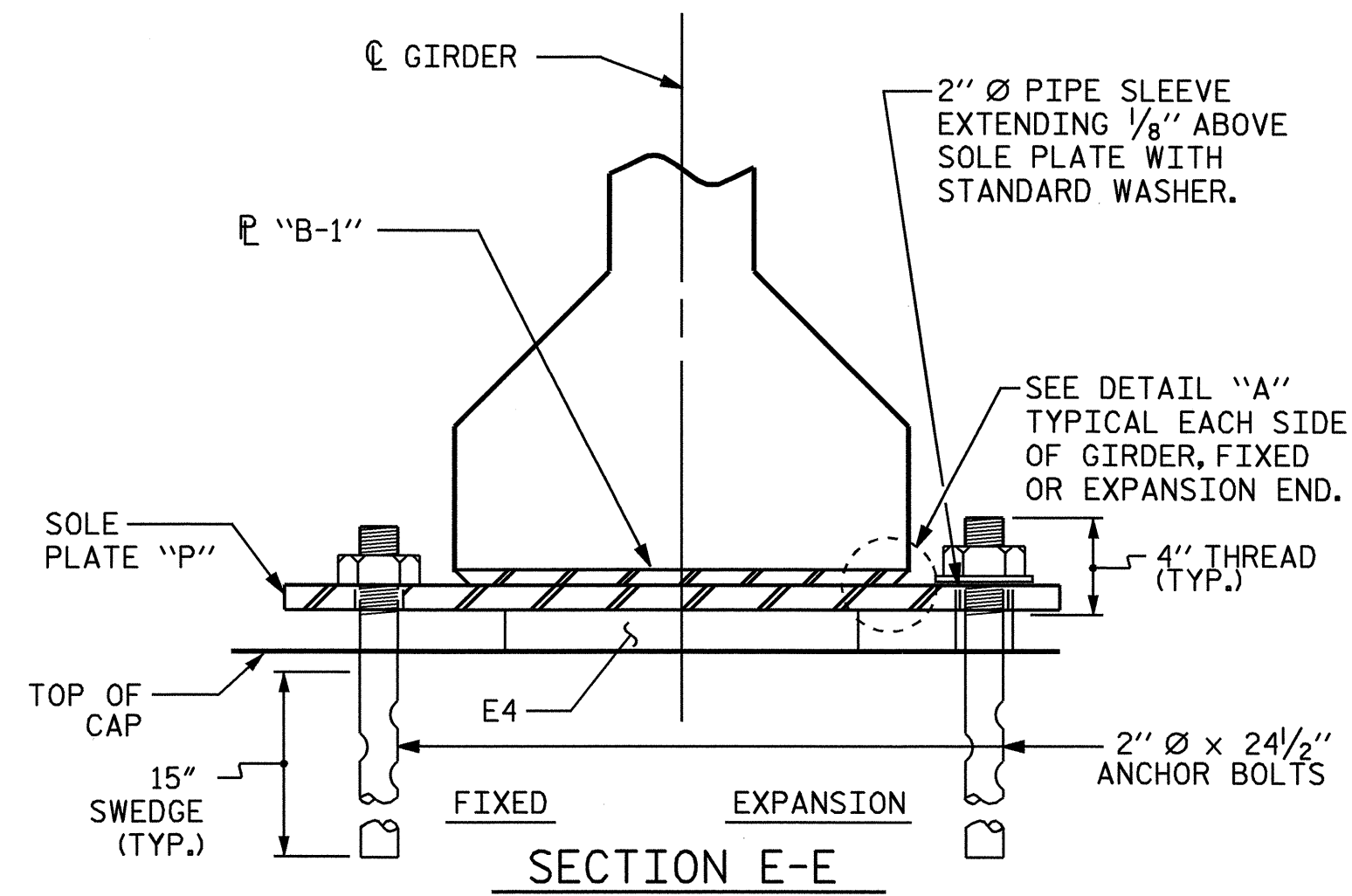
PRIOR TO WELDING, GRIND THE GALVANIZED SURFACE OF THE PORTION OF THE EMBEDDED PLATE AND SOLE PLATE THAT ARE TO BE WELDED. AFTER WELDING, DAMAGED GALVANIZED SURFACES SHALL BE REPAIRED IN ACCORDANCE WITH THE STANDARD SPECIFICATIONS.

WHEN WELDING THE SOLE PLATE TO THE EMBEDDED PLATE IN THE GIRDER, USE TEMPERATURE INDICATING WAX PENS, OR OTHER SUITABLE MEANS, TO ENSURE THAT THE TEMPERATURE OF THE SOLE PLATE DOES NOT EXCEED 300°F. TEMPERATURES ABOVE THIS MAY DAMAGE THE ELASTOMER.

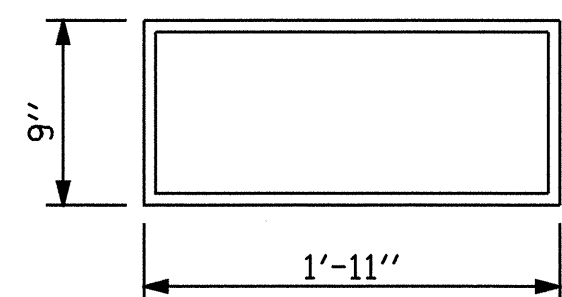
SOLE PLATE "P", BOLTS, NUTS, WASHERS, AND PIPE SLEEVE SHALL BE INCLUDED IN THE PAY ITEM FOR PRESTRESSED CONCRETE GIRDERS.

ANCHOR BOLTS SHALL MEET THE REQUIREMENTS OF ASTM A449. NUTS SHALL MEET THE REQUIREMENTS OF AASHTO M291-DH OR AASHTO M292-2H. WASHERS SHALL MEET THE REQUIREMENTS OF AASHTO M293. NO SHOP DRAWINGS ARE REQUIRED FOR ANCHOR BOLTS, NUTS AND WASHERS. SHOP INSPECTION IS REQUIRED.

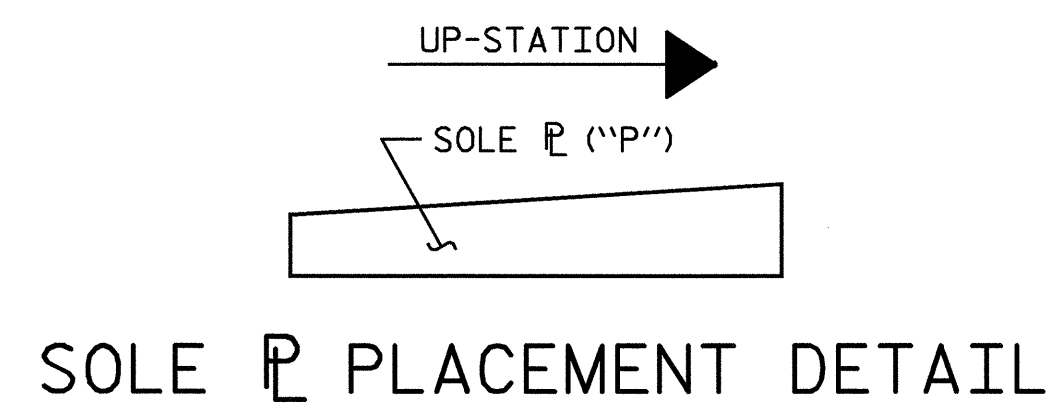
ALL SURFACES OF BEARING PLATES SHALL BE SMOOTH AND STRAIGHT.



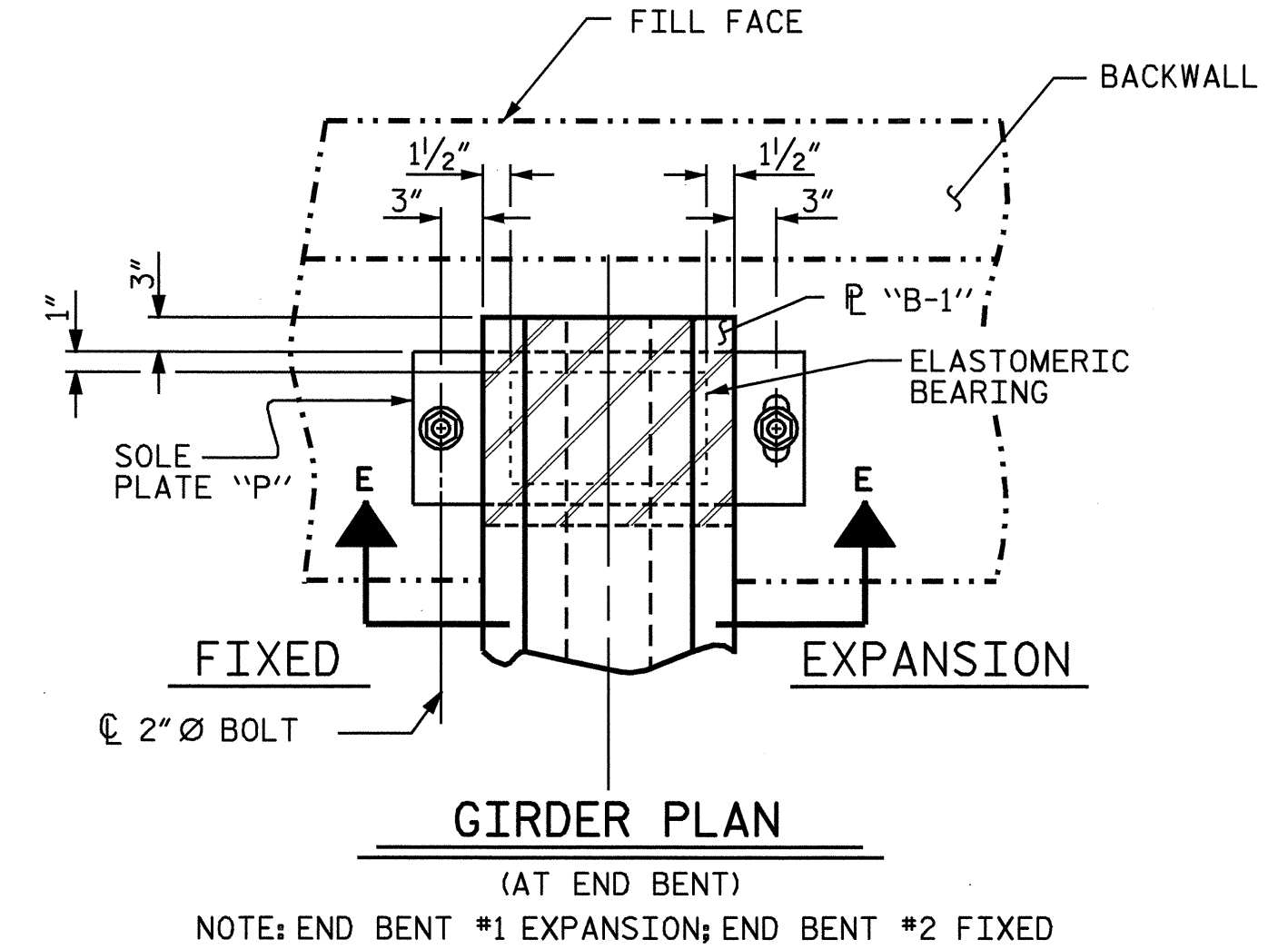
TYPICAL SECTION OF ELASTOMERIC BEARINGS



E4 (10 REQ'D)
PLAN VIEW OF ELASTOMERIC BEARING
TYPE V

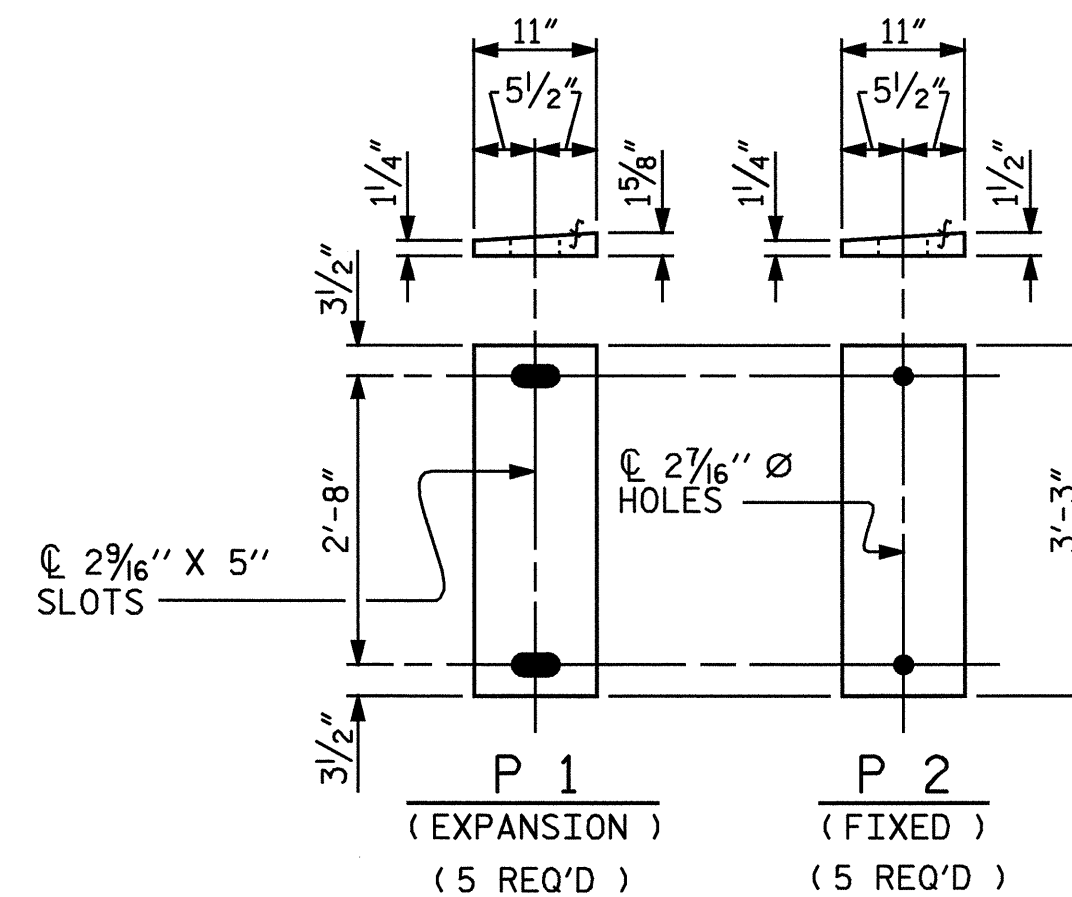


SOLE P PLACEMENT DETAIL



LOAD RATINGS	
	MAX.D.L.+ L.L.
TYPE V	180 K

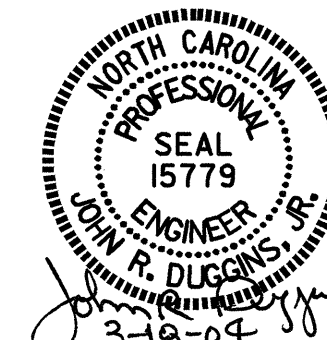
PROJECT NO. B-3607
ASHE COUNTY
STATION: 10+87.50 -L-



SOLE PLATE DETAILS ("P")

ASSEMBLED BY : D. HODGE	DATE : 10/03
CHECKED BY : J. LAMBERT	DATE : 11/03
DRAWN BY : EEM 2/97	ADDED 2/6/97
CHECKED BY : VAP 2/97	REV. 8/16/99 RWW/LES
	REV. 10/17/00 RWW/LES

12-MAR-2004 10:08
w:\edqudz\b3607\dhodge\b360701eb.dgn
dahodge



STATE OF NORTH CAROLINA
DEPARTMENT OF TRANSPORTATION
RALEIGH
STANDARD ELASTOMERIC BEARING DETAILS
PRESTRESSED CONCRETE GIRDER
JULY SUPERSTRUCTURE 1996

REVISIONS				SHEET NO.		
NO.	BY:	DATE:	NO.	BY:	DATE:	TOTAL SHEETS
1			3			32
2			4			