

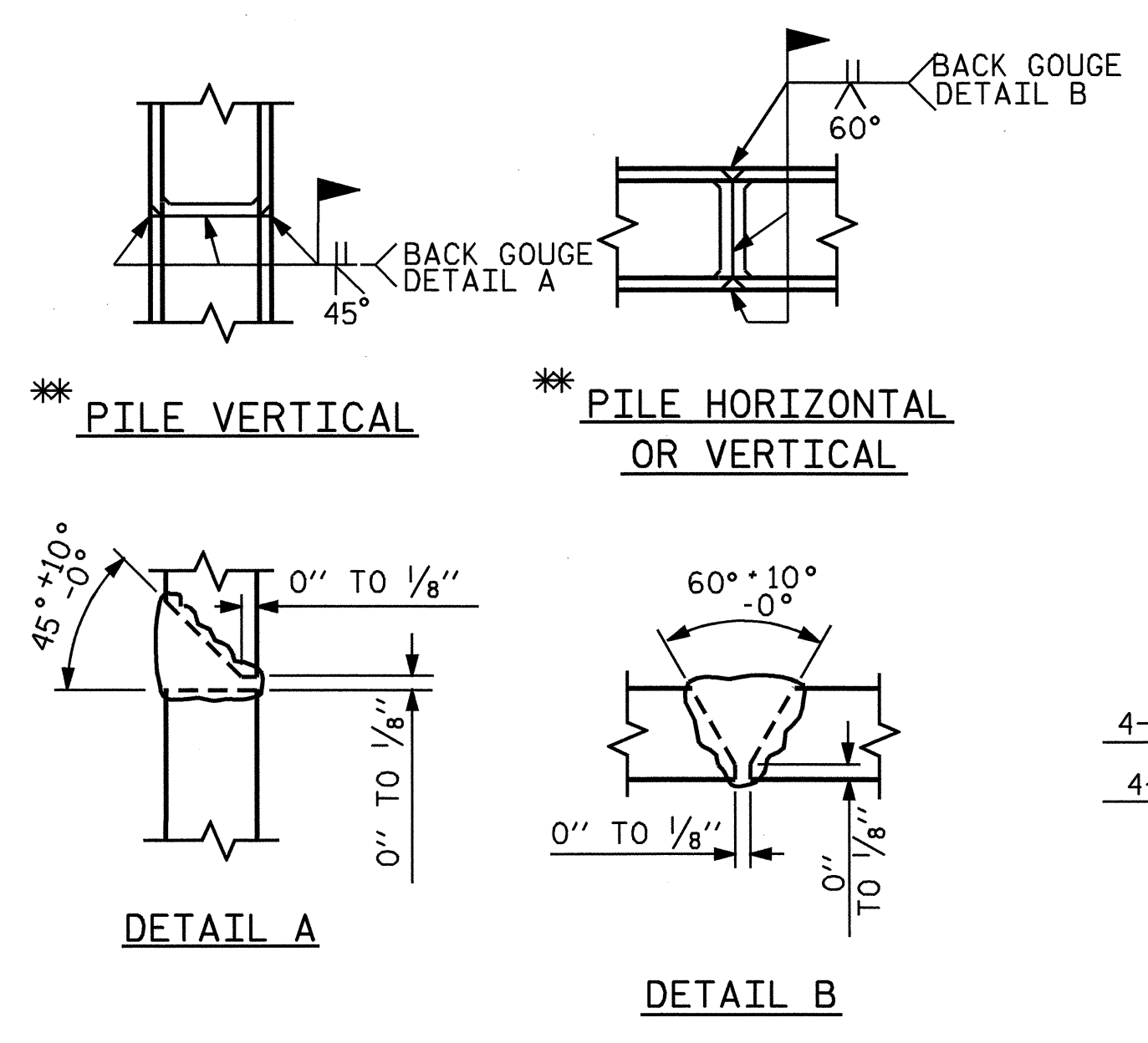
BAGGED STONE AND PIPE SHALL BE PLACED IMMEDIATELY AFTER COMPLETION OF END BENT EXCAVATION. PIPE MAY BE EITHER CONCRETE, CORRUGATED STEEL, CORRUGATED ALUMINUM ALLOY, OR CORRUGATED PLASTIC. PERFORATED PIPE WILL NOT BE ALLOWED.

BAGGED STONE SHALL REMAIN IN PLACE UNTIL THE ENGINEER DIRECTS THAT IT BE REMOVED. THE CONTRACTOR SHALL REMOVE AND DISPOSE OF SILT ACCUMULATIONS AT BAGGED STONE WHEN SO DIRECTED BY THE ENGINEER. BAGS SHALL BE REMOVED AND REPLACED WHENEVER THE ENGINEER DETERMINES THAT THEY HAVE DETERIORATED AND LOST THEIR EFFECTIVENESS.

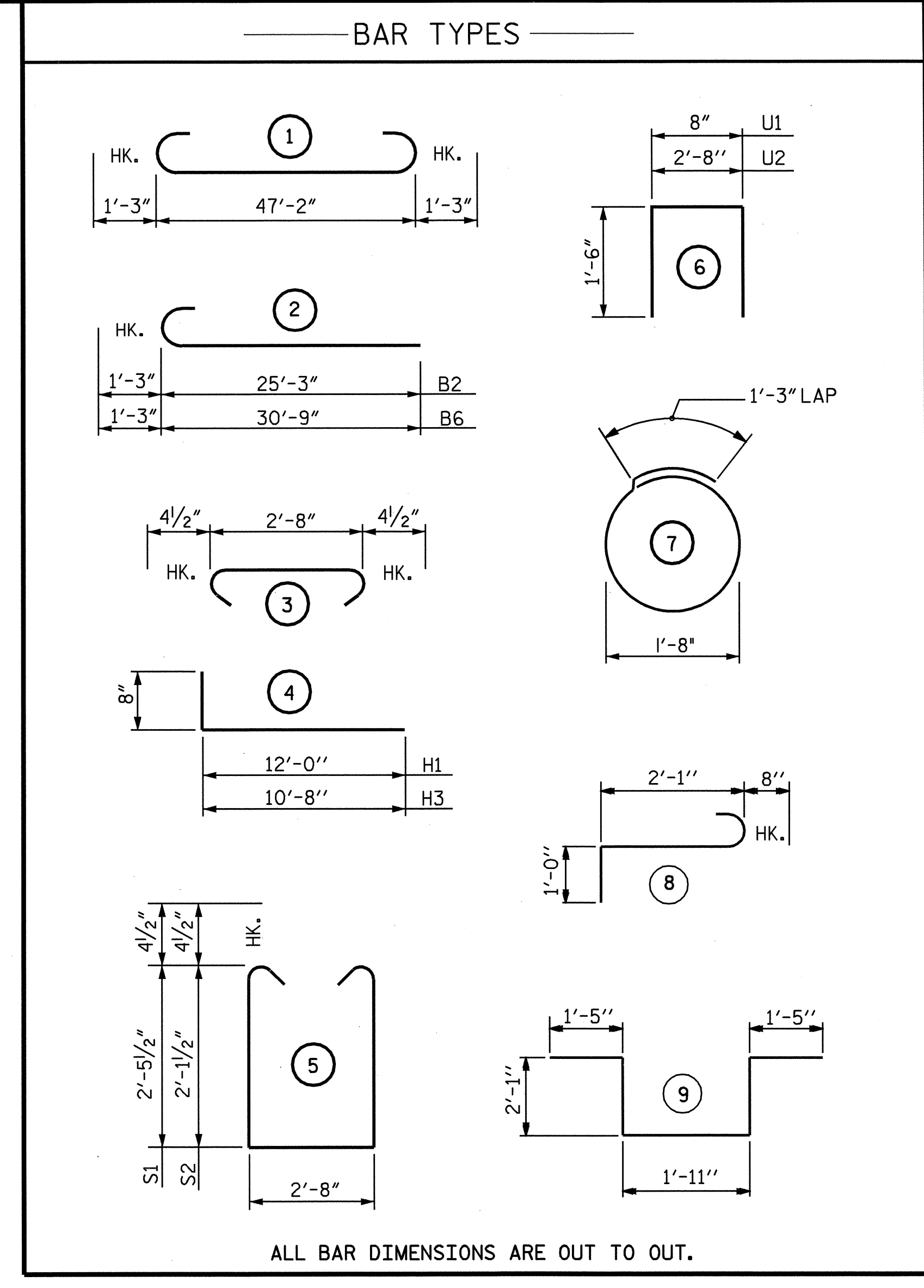
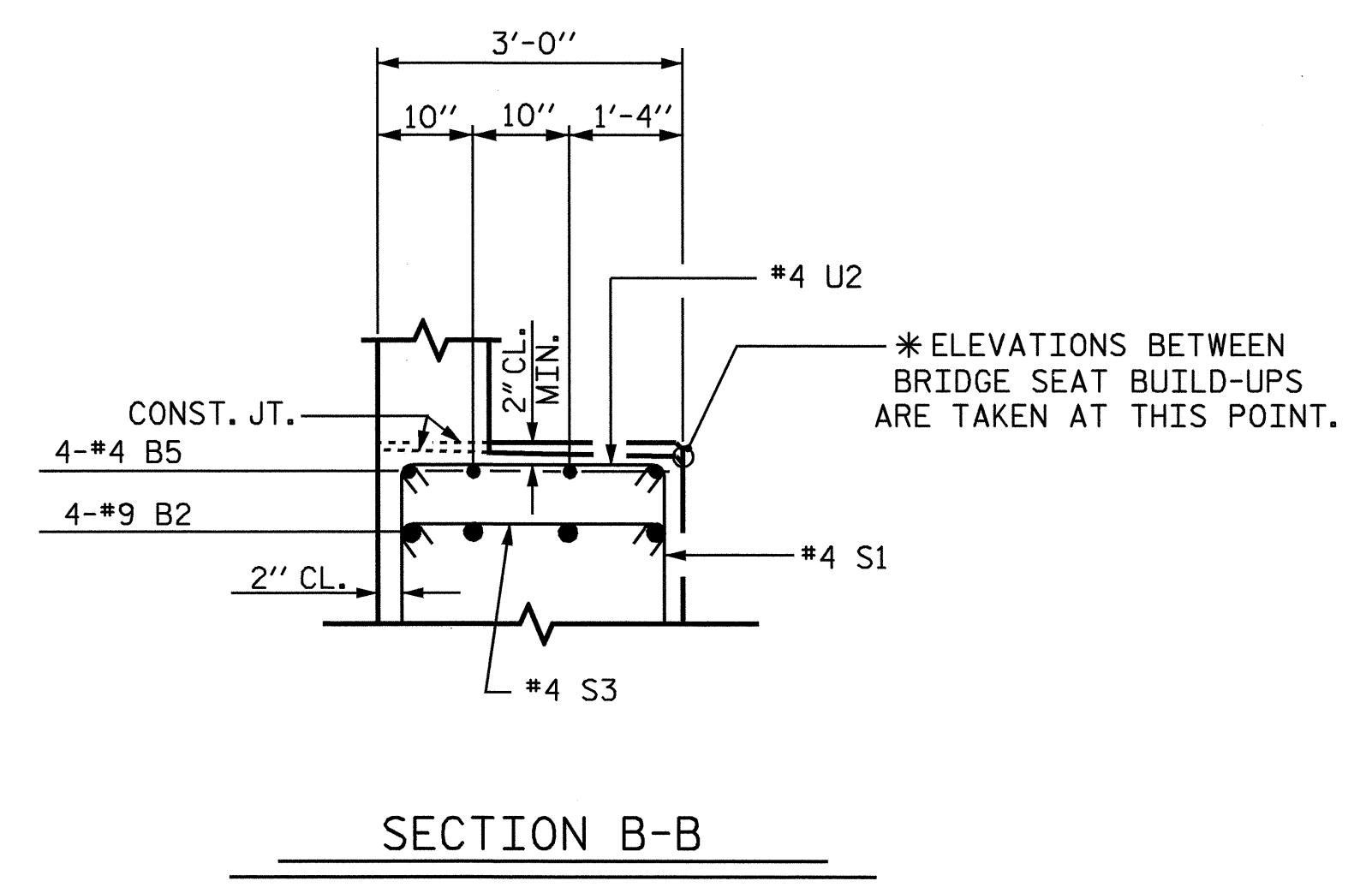
NO SEPARATE PAYMENT WILL BE MADE FOR THIS WORK AND THE ENTIRE COST OF THIS WORK SHALL BE INCLUDED IN THE UNIT CONTRACT PRICE BID FOR THE SEVERAL PAY ITEMS.

NOTE: NO SEPARATE PAYMENT WILL BE MADE FOR FURNISHING AND INSTALLING THE PVC PIPE DRAINS, HARDWARE CLOTH AND FASTENERS. THE ENTIRE COST OF THIS WORK SHALL BE INCLUDED IN THE UNIT CONTRACT PRICE BID FOR THE SEVERAL PAY ITEMS.

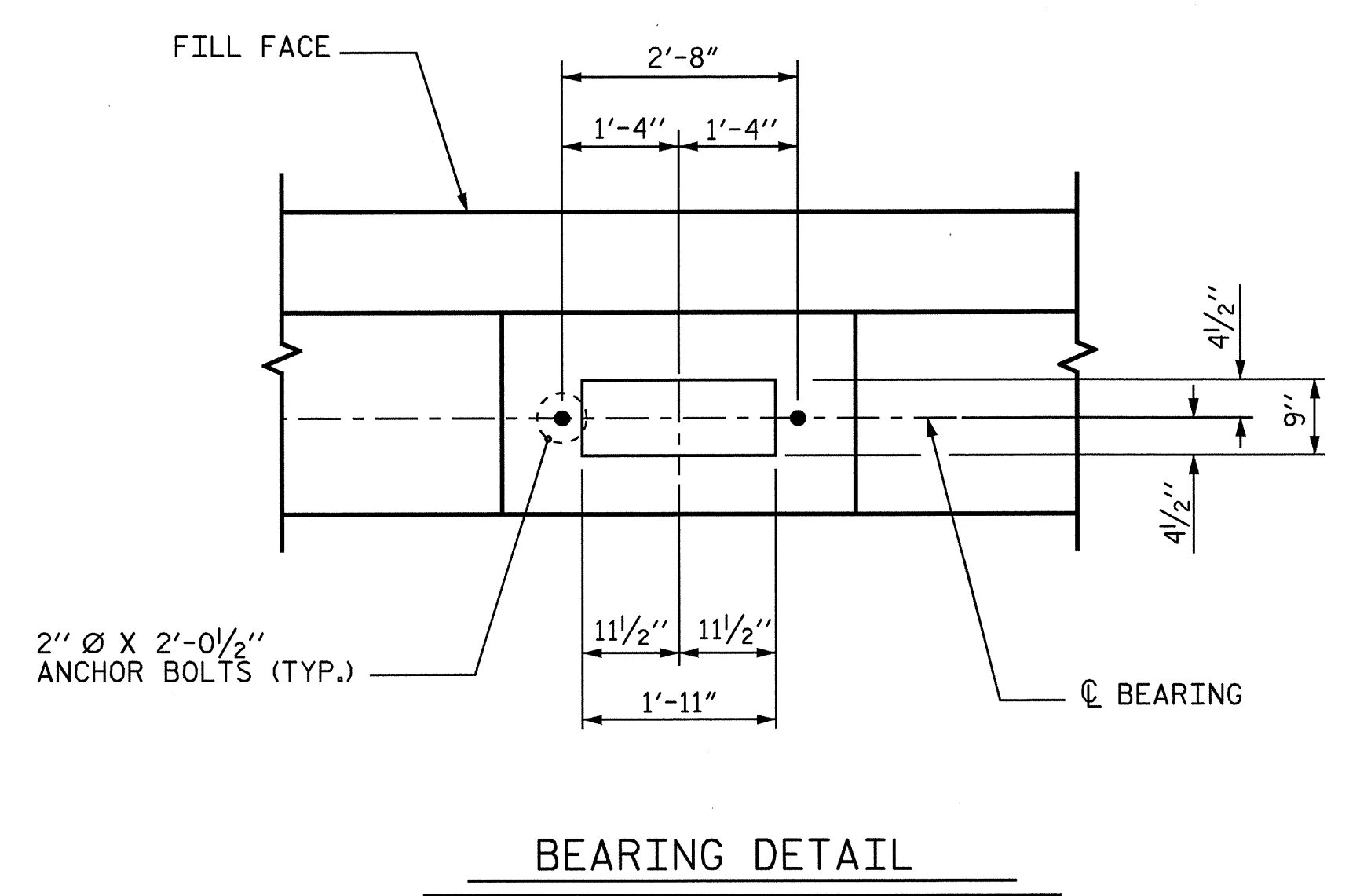
PIPE DRAIN DETAILS



\*\* POSITION OF PILE DURING WELDING.



BILL OF MATERIAL					
END BENT 2					
BAR	NO.	SIZE	TYPE	LENGTH	WEIGHT
B1	4	9	1	49'-8"	675
B2	4	9	2	26'-6"	360
B3	8	4	STR	24'-10"	133
B4	8	4	STR	24'-10"	133
B5	4	4	STR	8'-3"	22
B6	4	9	2	31'-11"	435
B7	15	4	STR	2'-8"	27
H1	22	5	4	12'-8"	291
H2	8	4	STR	3'-10"	20
H3	20	5	4	11'-4"	236
K1	20	4	STR	24'-10"	332
S1	22	4	5	8'-4"	122
S2	20	4	5	7'-8"	102
S3	42	4	3	3'-5"	96
S4	22	4	7	6'-6"	96
S5	3	6	8	3'-9"	17
S6	1	6	9	8'-11"	13
U1	39	4	6	3'-8"	96
U2	35	4	6	5'-8"	132
V1	78	5	STR	6'-9"	649
V2	36	5	STR	9'-2"	344
V3	32	5	STR	8'-7"	286
TOTAL REINFORCING STEEL					4,408 lb.
CLASS "A" CONCRETE					
POUR #1 (CAP & LOWER WINGS)					17.9 CY.
POUR #2 (BACKWALL & UPPER WINGS)					14.0 CY.
TOTAL					31.9 CY.
HP 12 X 53 STEEL PILES					
NO. 12 LIN. FT.					180



PROJECT NO. B-3607  
 ASHE COUNTY  
 STATION: 10+87.50 -L-  
 SHEET 3 OF 3

STATE OF NORTH CAROLINA  
 DEPARTMENT OF TRANSPORTATION  
 RALEIGH

SUBSTRUCTURE  
 END BENT 2

REVISIONS					
NO.	BY:	DATE:	NO.	BY:	DATE:
1			3		
2			4		

SHEET NO. S-25  
 TOTAL SHEETS 32

NORTH CAROLINA  
 PROFESSIONAL  
 SEAL  
 15779  
 ENGINEER  
 JOHN R. DUGGINS, INC.  
 3-18-04