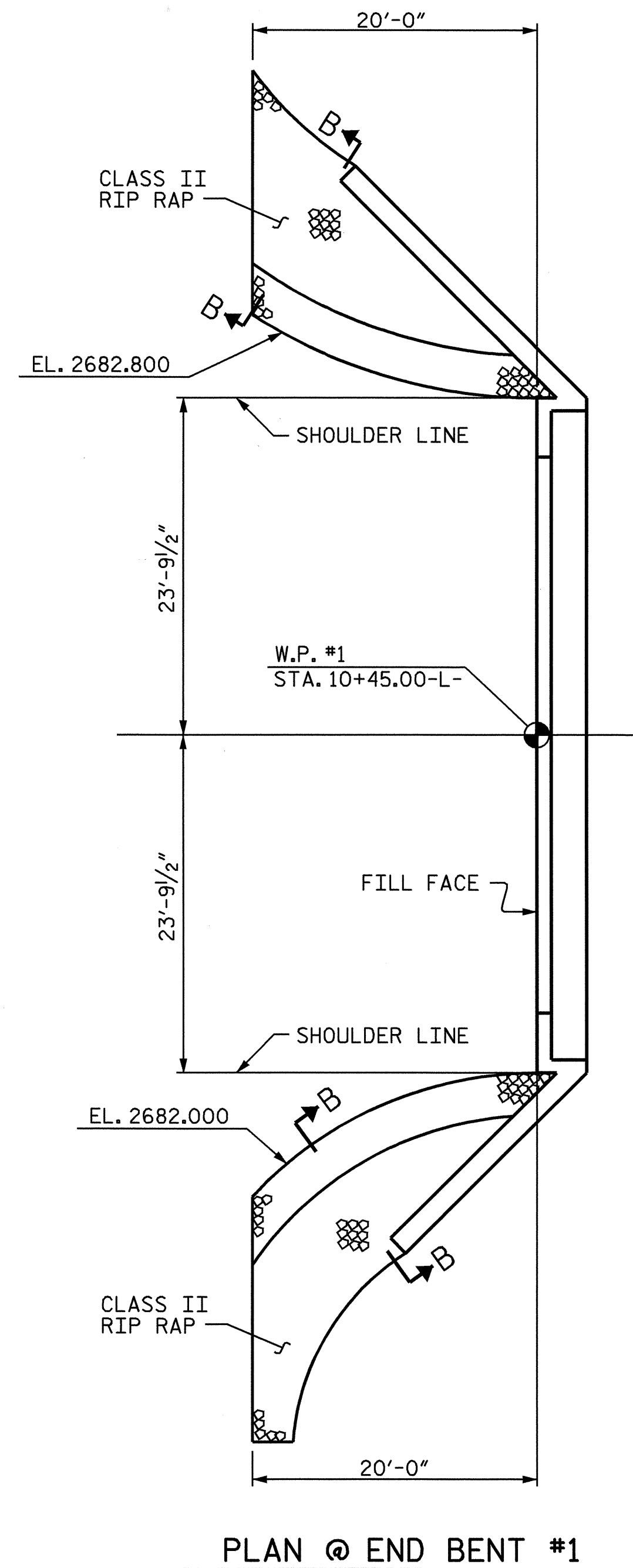
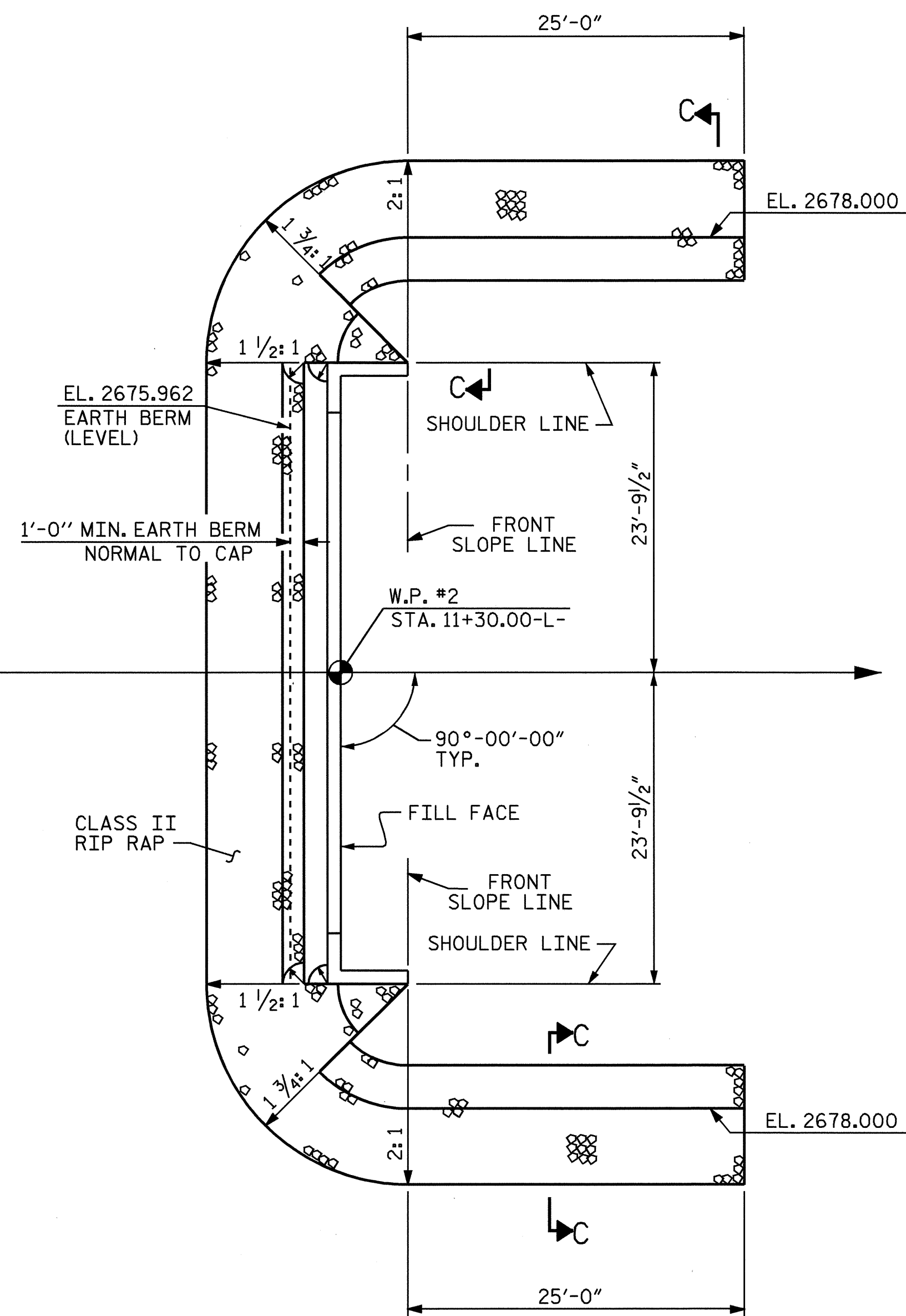


NOTES :  
FOR BERM WIDTH DIMENSIONS, SEE GENERAL DRAWING.

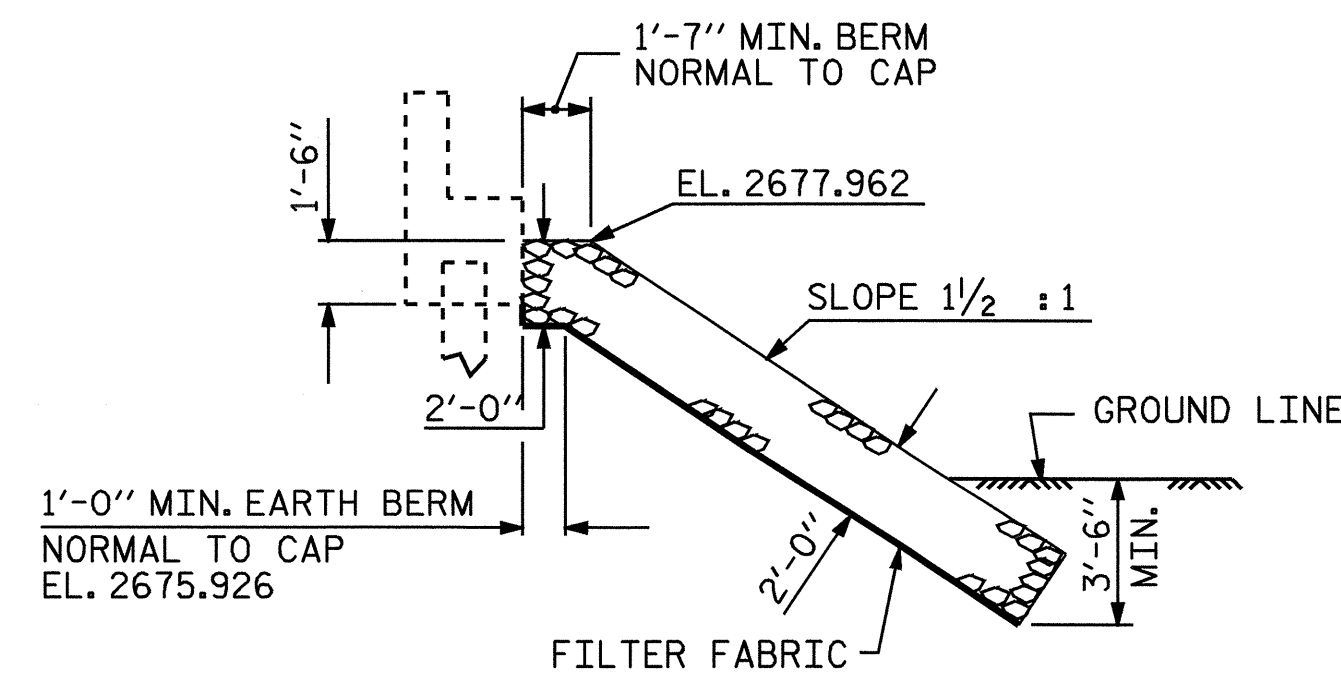


PLAN @ END BENT #1

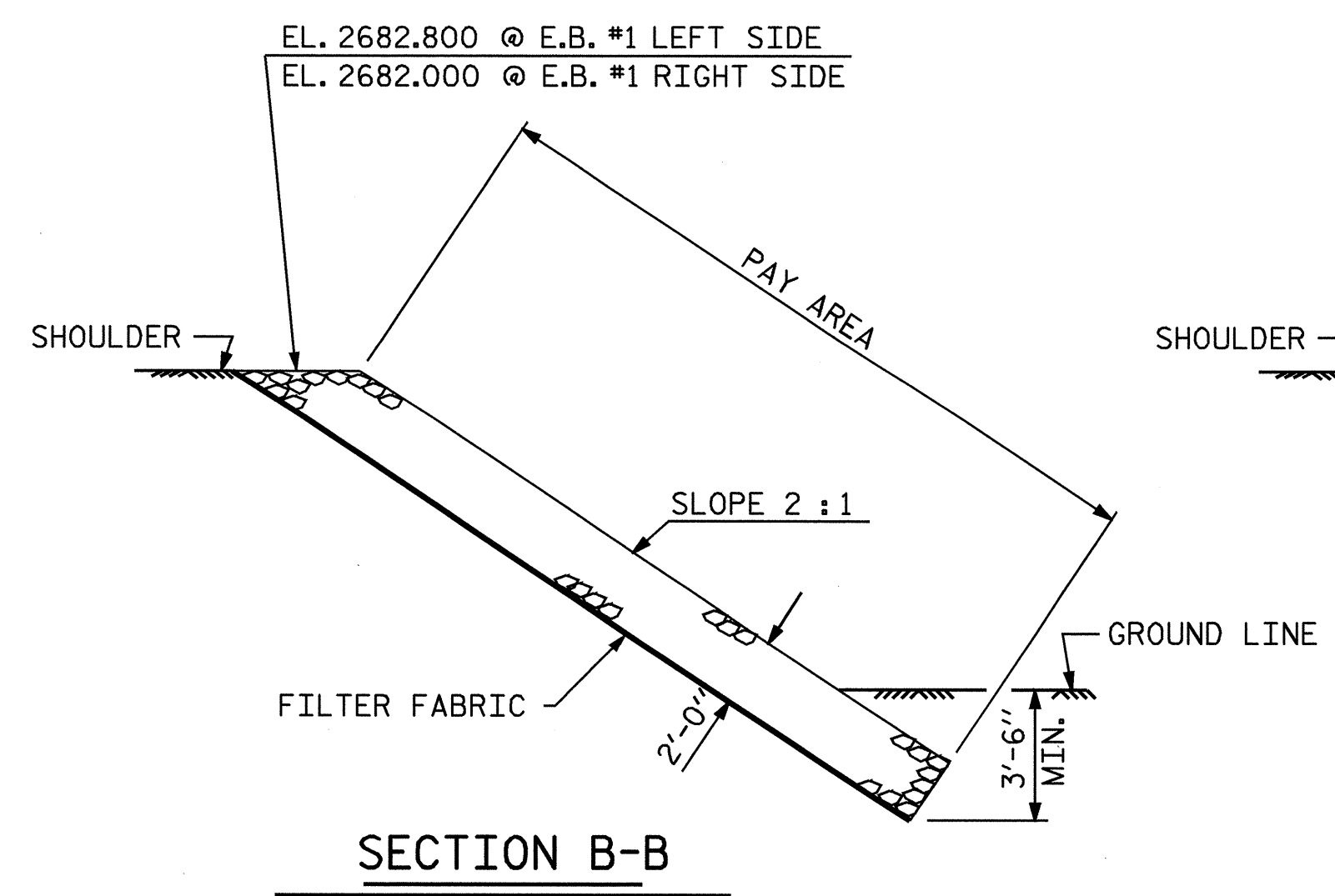


PLAN @ END BENT #2

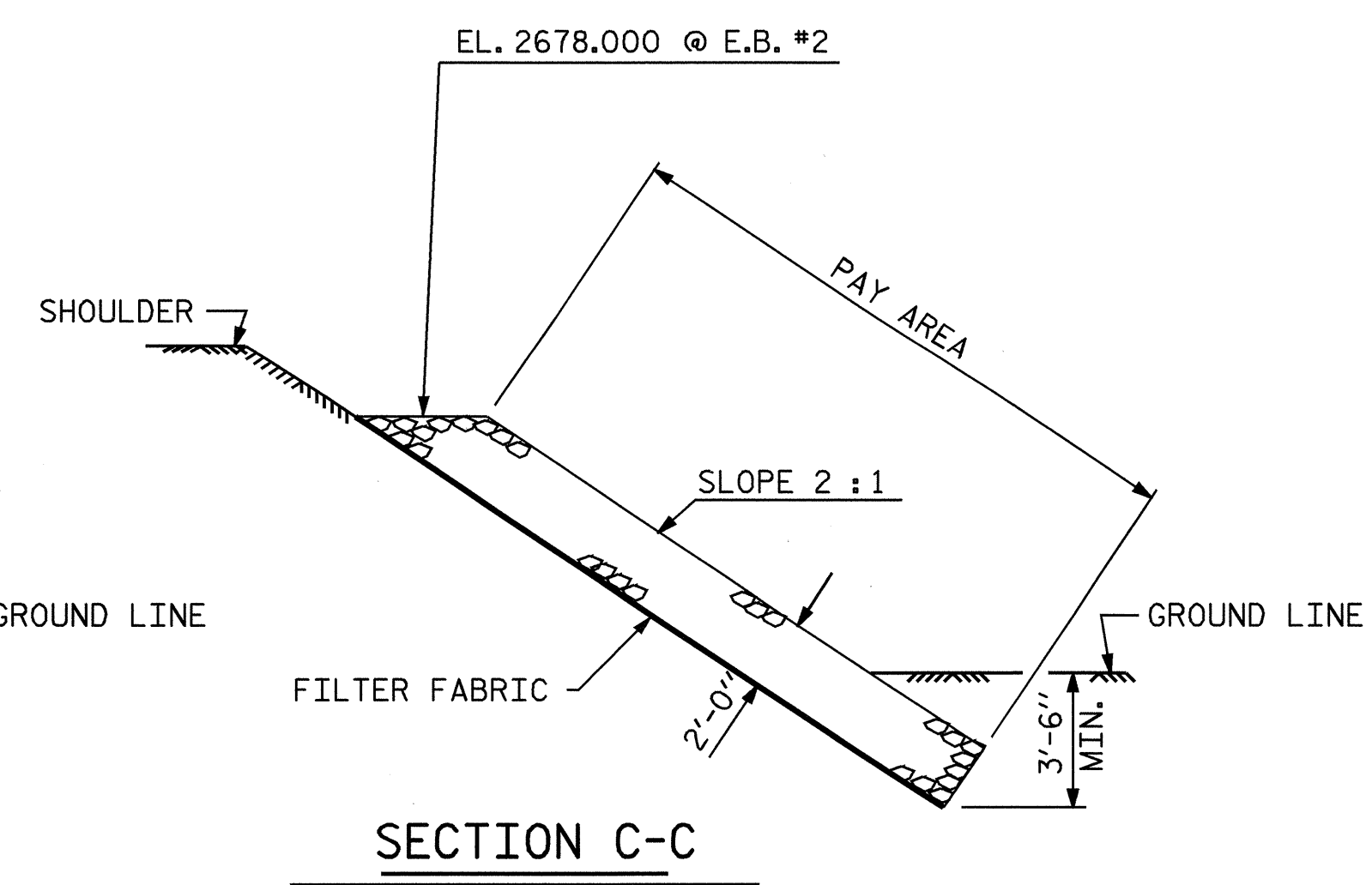
ESTIMATED QUANTITIES		
BRIDGE @ STA. 10+87.50-L-	PLAIN RIP RAP CLASS II	FILTER FABRIC FOR DRAINAGE
	TONS	SQUARE YARDS
END BENT #1	59	65
END BENT #2	268	298



SECTION AT END BENT #2  
BERM RIP RAPPED



SECTION B-B

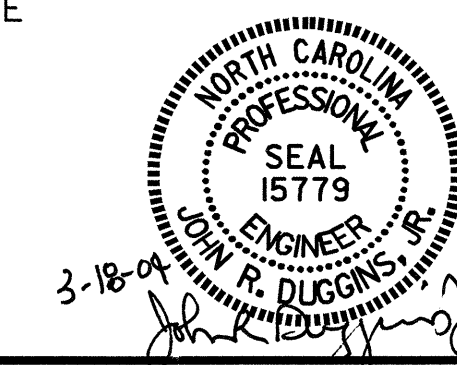


SECTION C-C

PROJECT NO. B-3607  
ASHE COUNTY  
STATION: 10+87.50 -L-

STATE OF NORTH CAROLINA  
DEPARTMENT OF TRANSPORTATION  
RALEIGH

== RIP RAP DETAILS ==



REVISIONS						SHEET NO. S-26
NO.	BY:	DATE:	NO.	BY:	DATE:	
1			3			TOTAL SHEETS 32
2			4			

ASSEMBLED BY : L.L.MURPHY/DAH DATE : 12-03  
CHECKED BY : M.E.POOLE DATE : 01-04  
DRAWN BY : FCJ 2/88 REV. 7/17/98 REK/RWW  
CHECKED BY : ARB 8/88 REV. 8/16/99 RWW/LES  
REV. 10/17/00 RWW/LES