

NOTES:

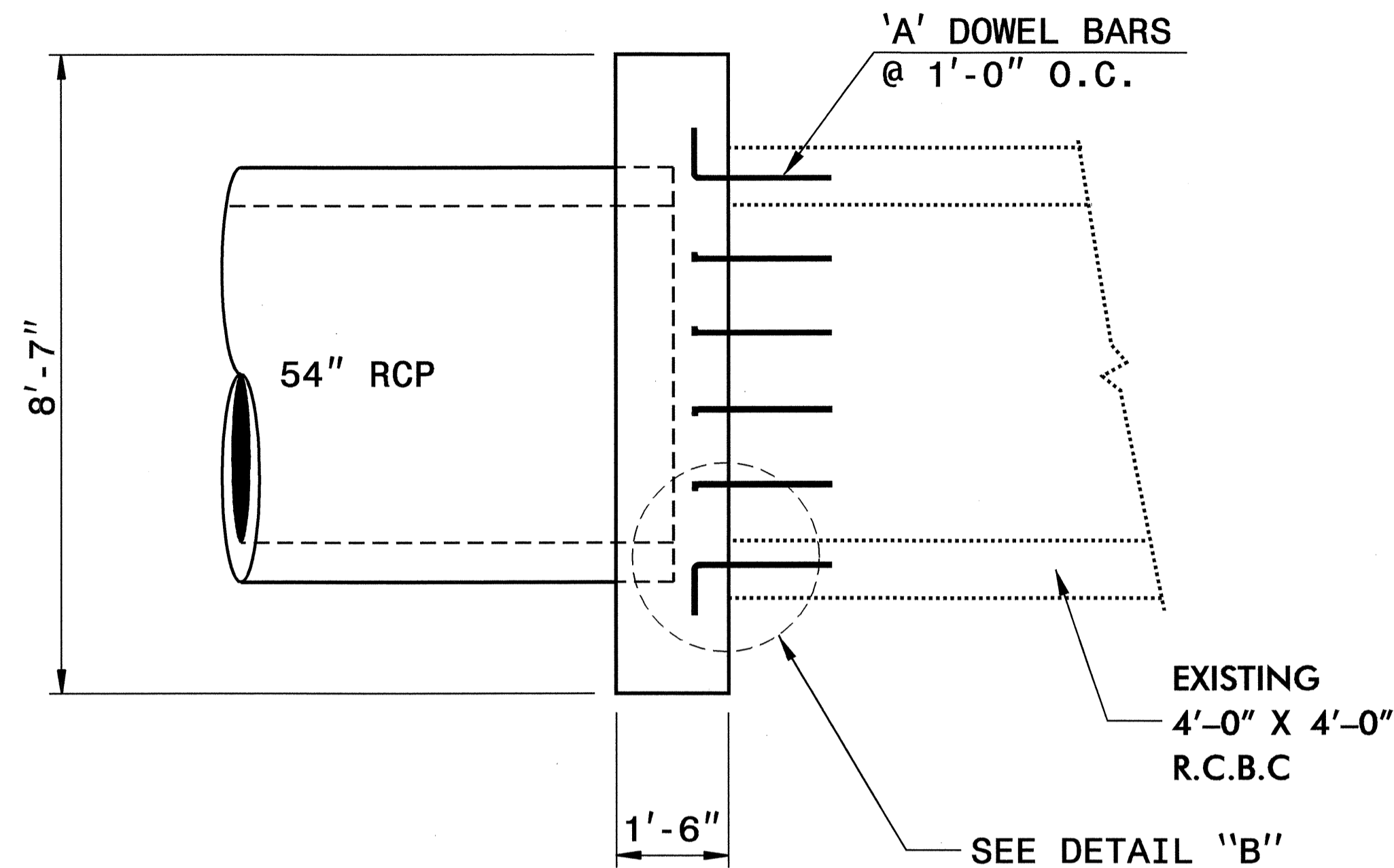
EPOXY BONDING SYSTEM SHALL MEET THE REQUIREMENTS OF SECTION 1081 OF THE STANDARD SPECIFICATIONS AND SHALL BE INSTALLED IN ACCORDANCE WITH THE MANUFACTURERS RECOMMENDATIONS.

CLASS 'B' CONCRETE REQUIRED.

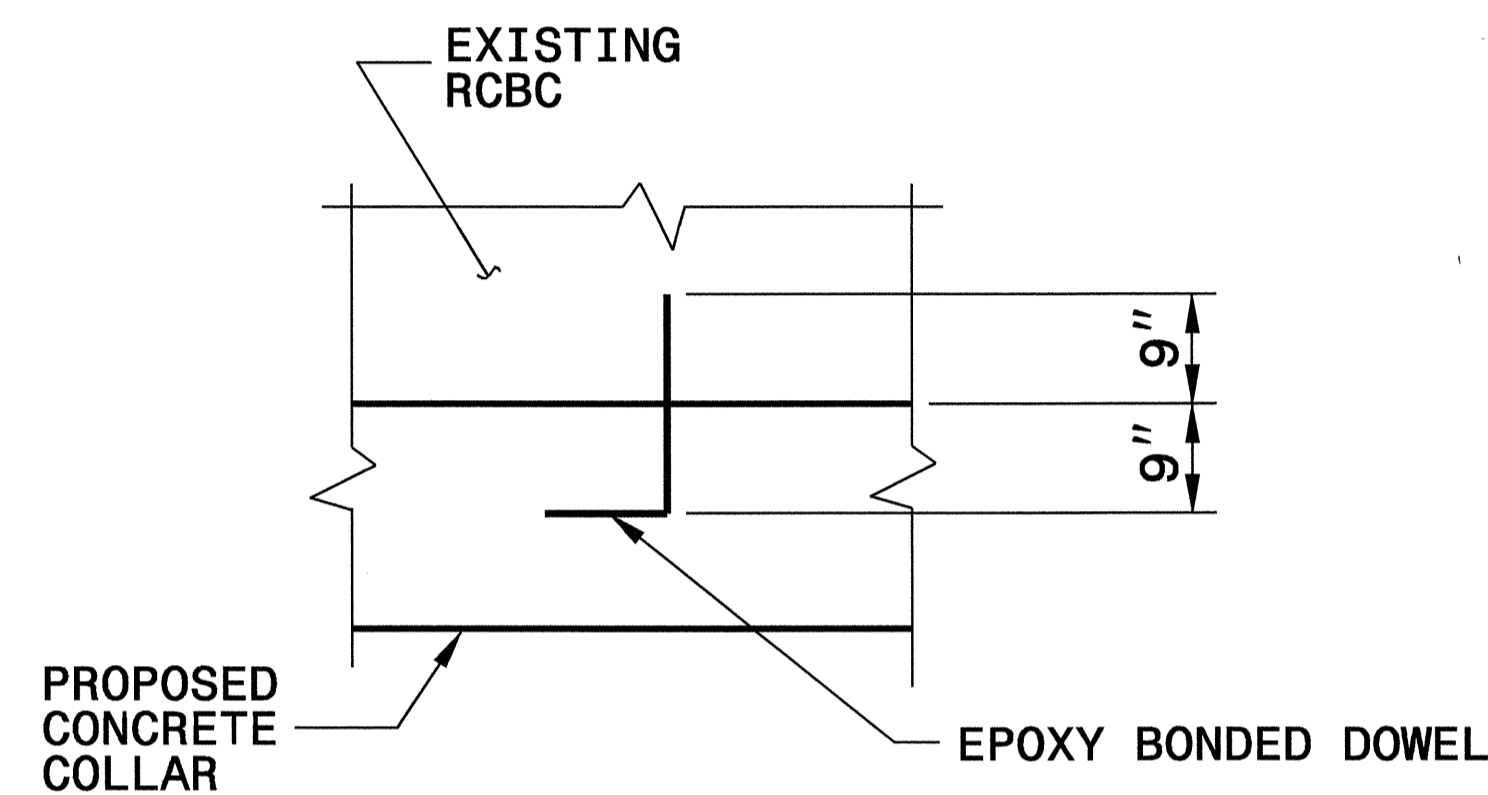
ALL DIMENSIONS SHALL BE VERIFIED IN THE FIELD AND MAY BE ADJUSTED AS DIRECTED BY THE ENGINEER.

ALL EXPOSED CORNERS SHALL BE CHAMFERED 1".

DOWEL BARS SHALL BE INSTALLED AT VARIOUS ANGLES.

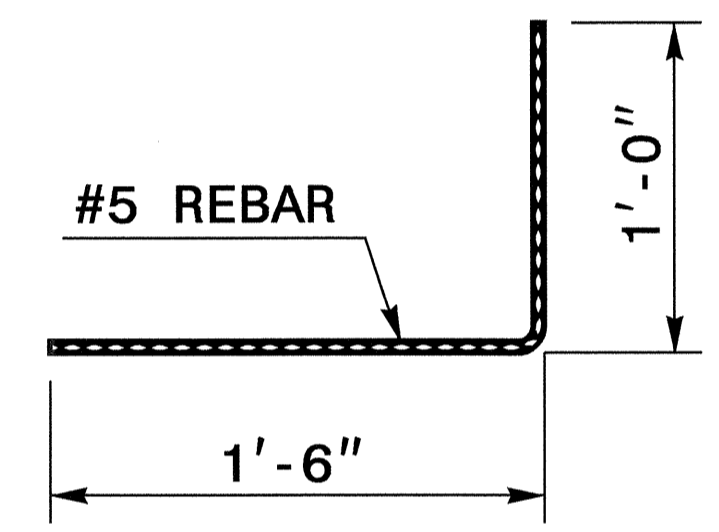


PLAN VIEW

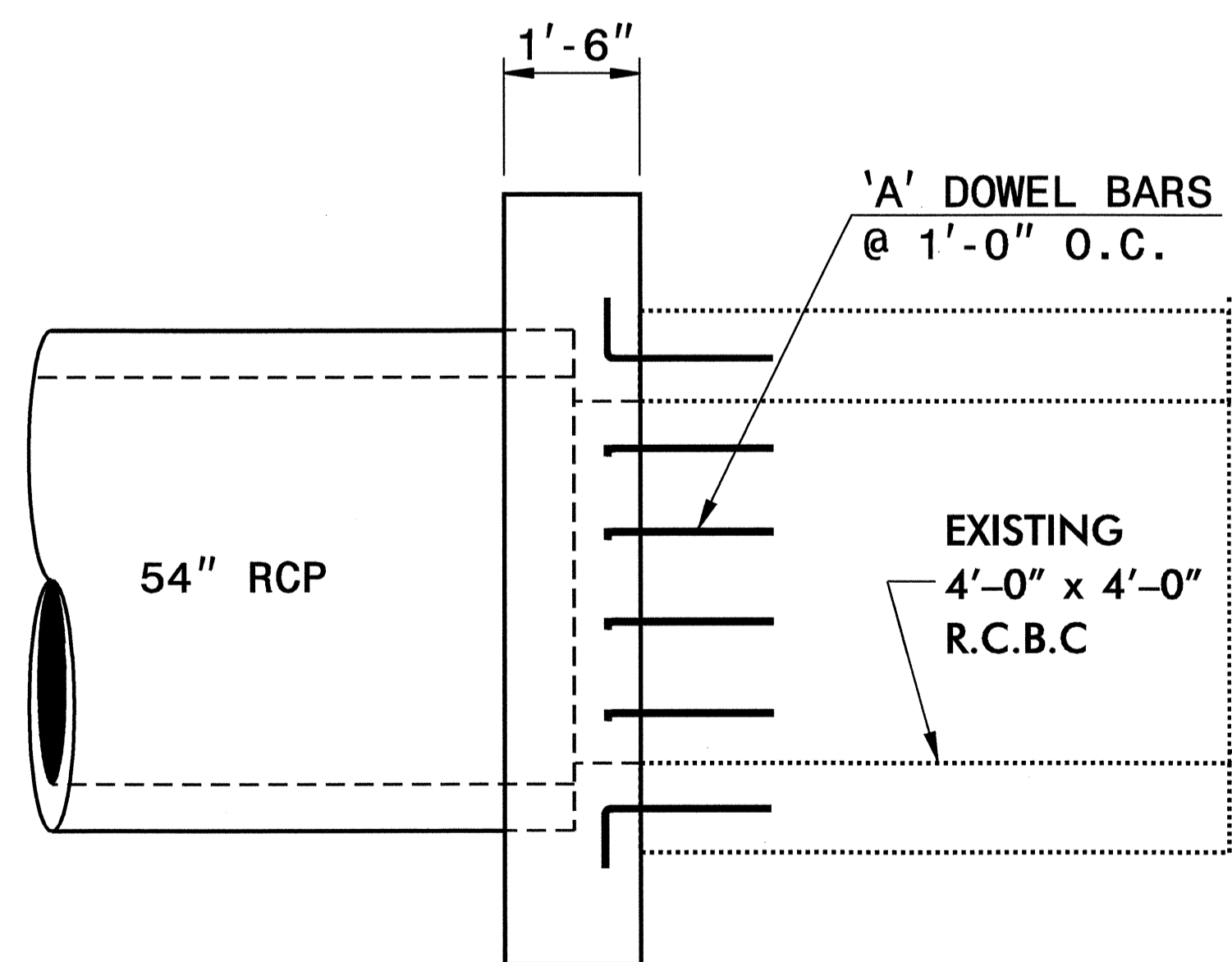


DETAIL 'B'

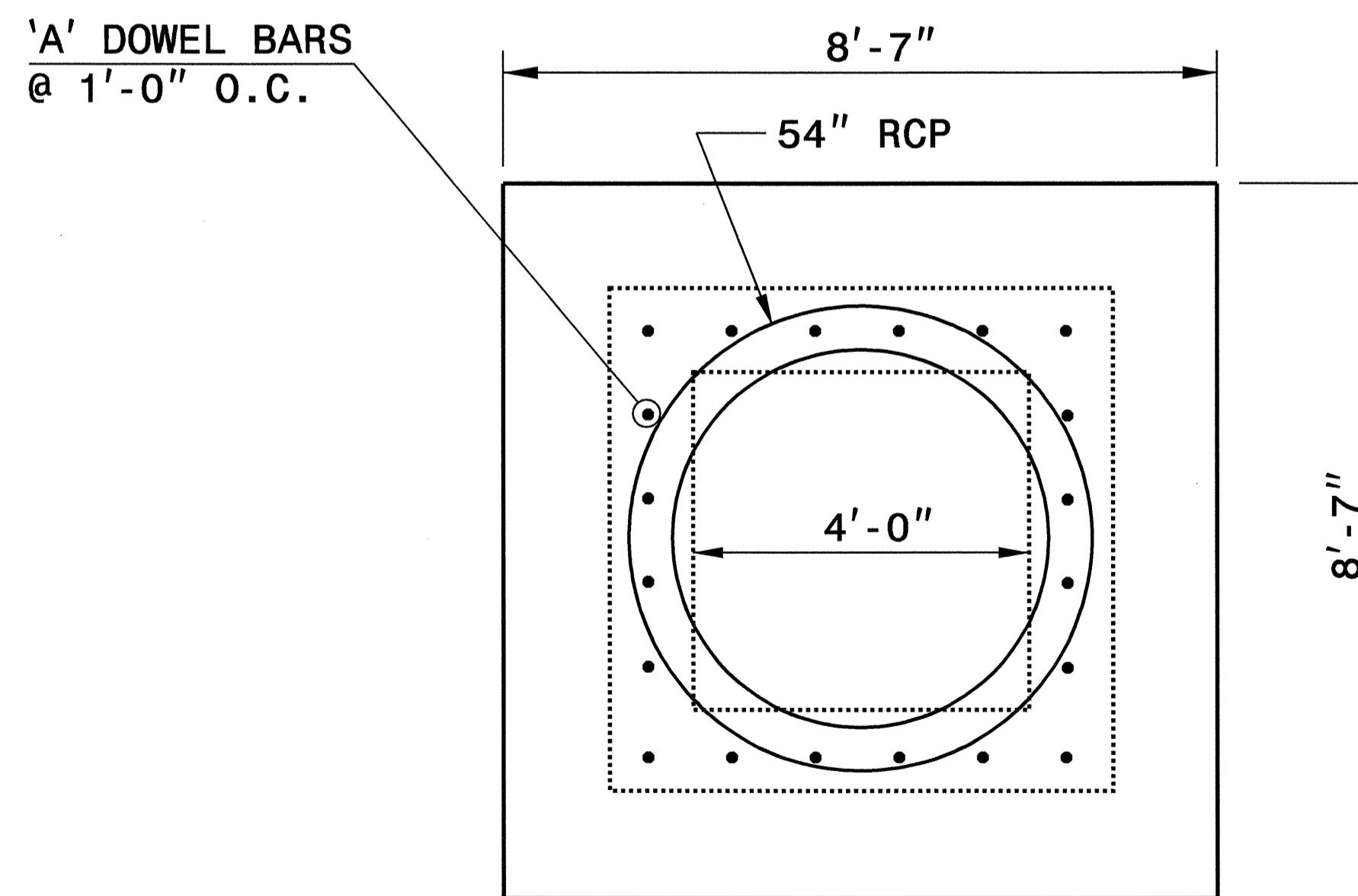
BILL OF MATERIAL				
BAR	NO.	SIZE	LENGTH	WEIGHT
A	20	#5	2'-6"	52
TOTAL REINF. STEEL (LBS.)				52
CLASS "B" CONC. (C.Y.)				4.1



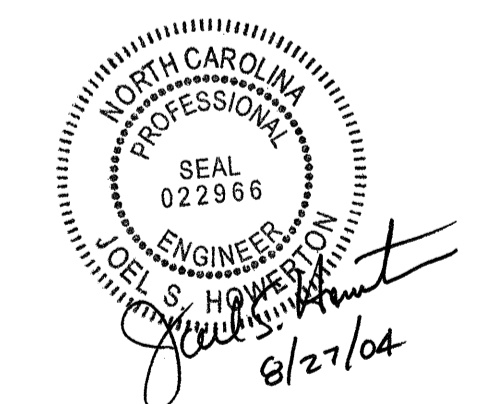
DOWEL 'A'



ELEVATION



SECTION THROUGH COLLAR
(PIPE TO CULVERT ORIENTATION)



STA.148+02 -L- LT. & RT.

DESIGN SERVICES UNIT
STANDARDS AND SPECIAL DESIGN
Office 919-250-4128 FAX 919-250-4119

DETAIL OF COLLAR
CONNECTING EXISTING
RCBC TO 54" RCP

ORIGINAL BY: T.Spell DATE: 4-15-04
 MODIFIED BY: [Signature] DATE: [Signature]
 CHECKED BY: [Signature] DATE: 7/20/04
 FILE SPEC.: w:\spell\stand\collar_r3427.dgn

5/14/99
 19-JUL-2004 11:09
 W:\Special\Details\stand\collar_r3427.dgn
 T.Spell AT 05203855