

GENERAL NOTES:

USE CLASS "B" CONCRETE THROUGHOUT.

PROVIDE ALL DROP INLETS OVER 3'-6" IN DEPTH WITH STEPS 12" ON CENTER.
USE STEPS WHICH COMPLY WITH STD. DRAWING 840.66.

OPTIONAL CONSTRUCTION - MONOLITHIC POUR, 2" KEYWAY, OR #4 BAR DOWELS AT 12" CENTERS AS DIRECTED BY THE ENGINEER.

USE FORMS FOR THE CONSTRUCTION OF THE BOTTOM SLAB.

IF REINFORCED CONCRETE PIPE IS SET IN BOTTOM SLAB OF BOX, ADD TO SLAB AS SHOWN ON STD. NO. 840.00.

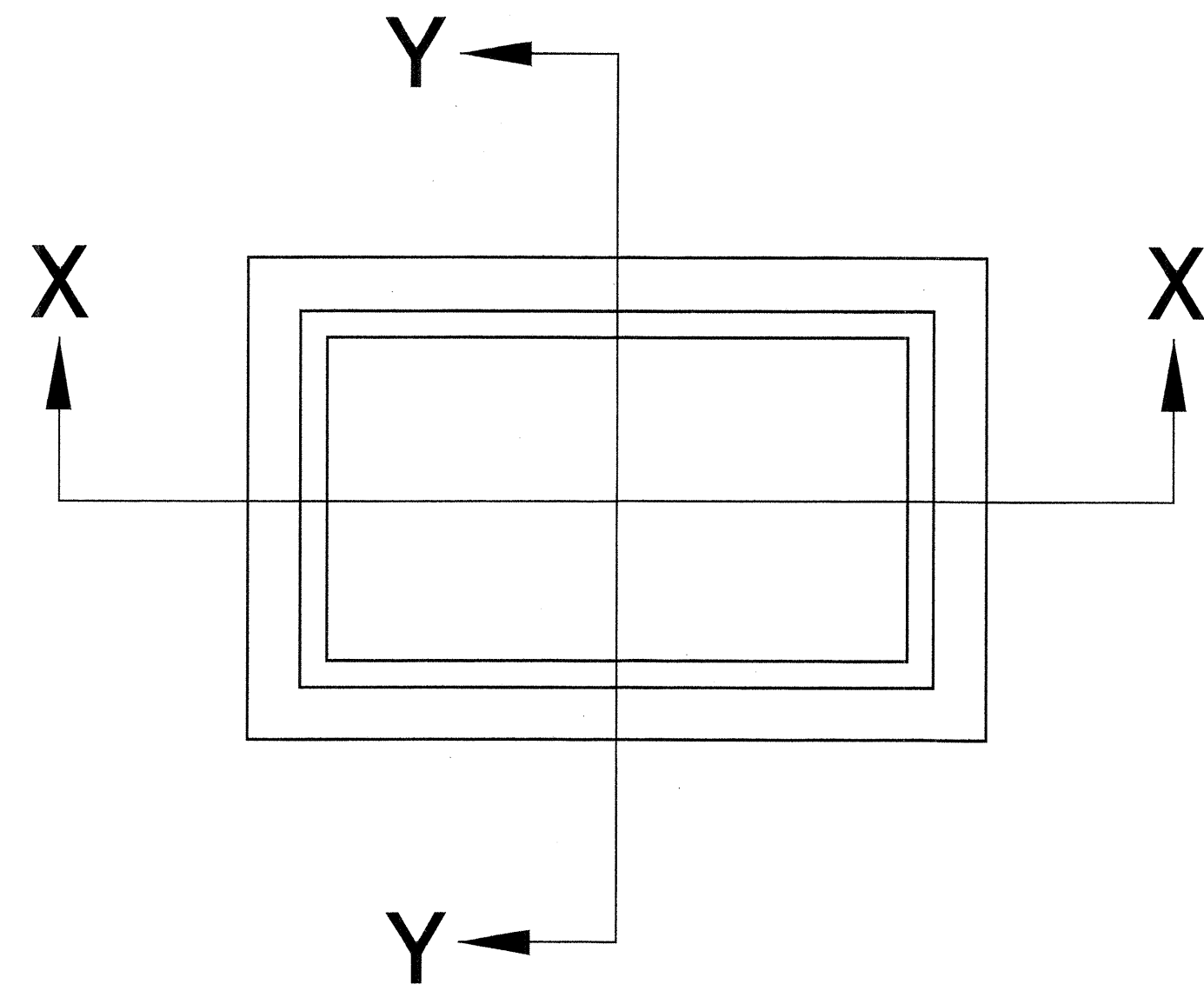
#4 BAR DOWELS "B" AT 12" CENTERS.

MAX. DEPTH OF THIS STRUCTURE FROM TOP OF BOTTOM SLAB TO TOP ELEVATION IS 12 FEET.

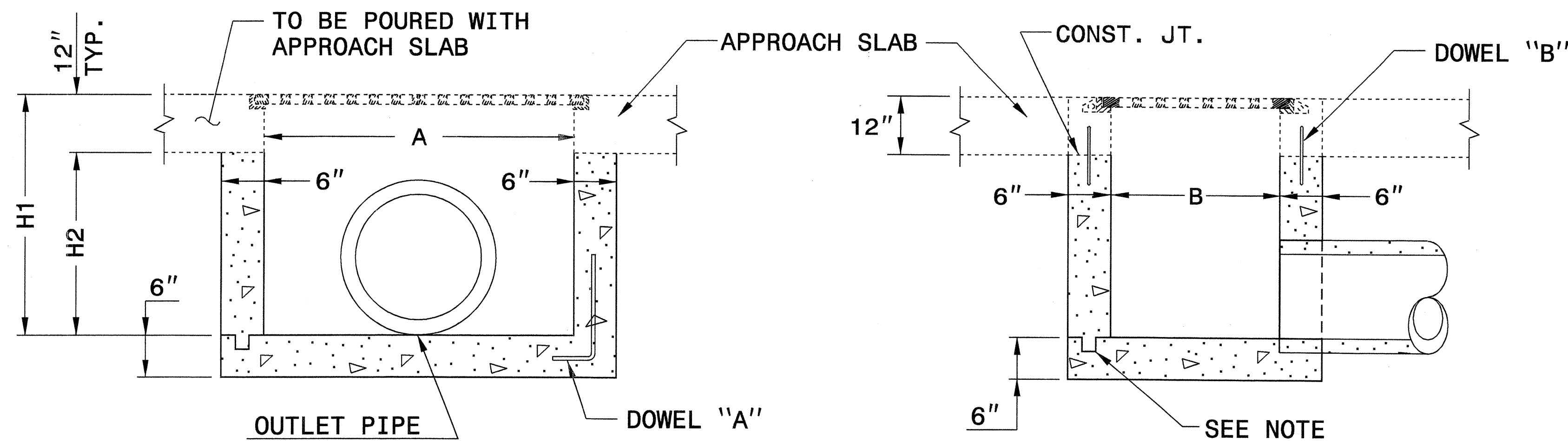
FOR LOCATIONS OF DROP INLET, SEE BRIDGE APPROACH SLABS IN THE STRUCTURE PLANS.

CONSTRUCT WITH PIPE CROWNS MATCHING.

DRAWING NOT TO SCALE.

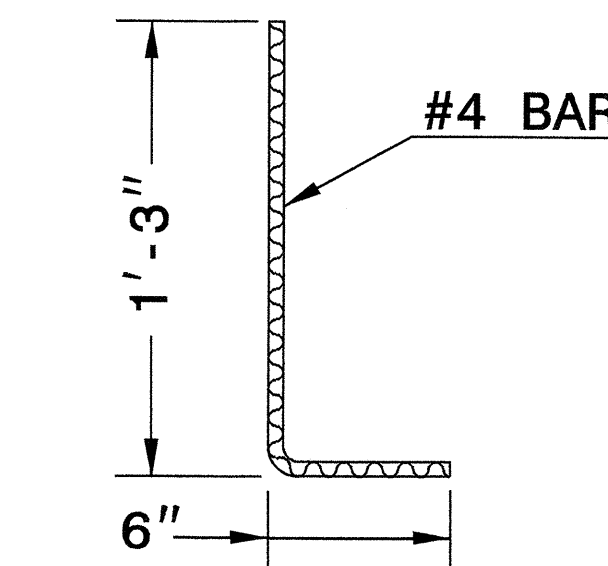


PLAN

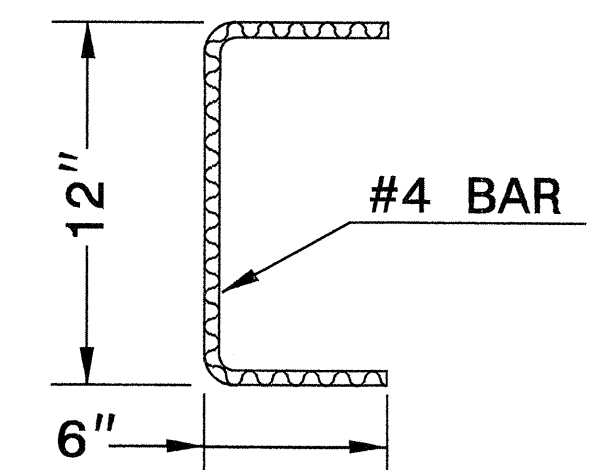


SECTION X-X

SECTION Y-Y



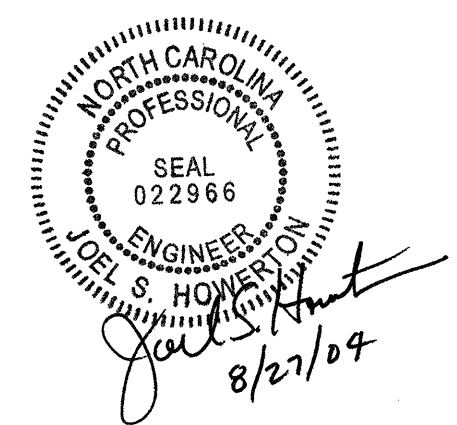
DOWEL "A"



DOWEL "B"

MINIMUM DIMENSIONS AND QUANTITIES FOR CONCRETE DROP INLET

PIPE	SPAN	WIDTH	HEIGHT	HEIGHT	CUBIC YARDS OF CONCRETE IN BOX				DEDUCTIONS FOR ONE PIPE	
					BOTTOM SLAB	H PER FT. HT.	H MIN. TOTAL	TOTAL	C.S.	R.C.
12"	3'-8"	2'-0"	2'-6"	1'-6"	0.259	0.247	0.597	0.856	0.020	0.032
15"	3'-8"	2'-0"	2'-9"	1'-9"	0.259	0.247	0.659	0.918	0.023	0.036
18"	3'-8"	2'-0"	3'-0"	2'-0"	0.259	0.247	0.720	0.979	0.033	0.049
24"	3'-8"	2'-0"	3'-6"	2'-6"	0.259	0.247	0.865	1.124	0.059	0.085



**DESIGN SERVICES UNIT
STANDARDS AND SPECIAL DESIGN**
Office 919-250-4128 FAX 919-250-4119

**DETAIL FOR CONCRETE
BRIDGE APPROACH
DROP INLET**

ORIGINAL BY: T. Spell DATE: 04-07-04
 MODIFIED BY: DATE:
 CHECKED BY: C. B. Perry DATE: 4-13-04
 FILE SPEC.: stds/02stdstdetails/english/840d13.dgn

R:\APR-2004\15-24
 K:\05-F-500\Centr\stds\Special Details\viewer\dstds\02\stds to Special Details/english\840d13\840d13.dgn
 .tspell AT 05:20:36:55