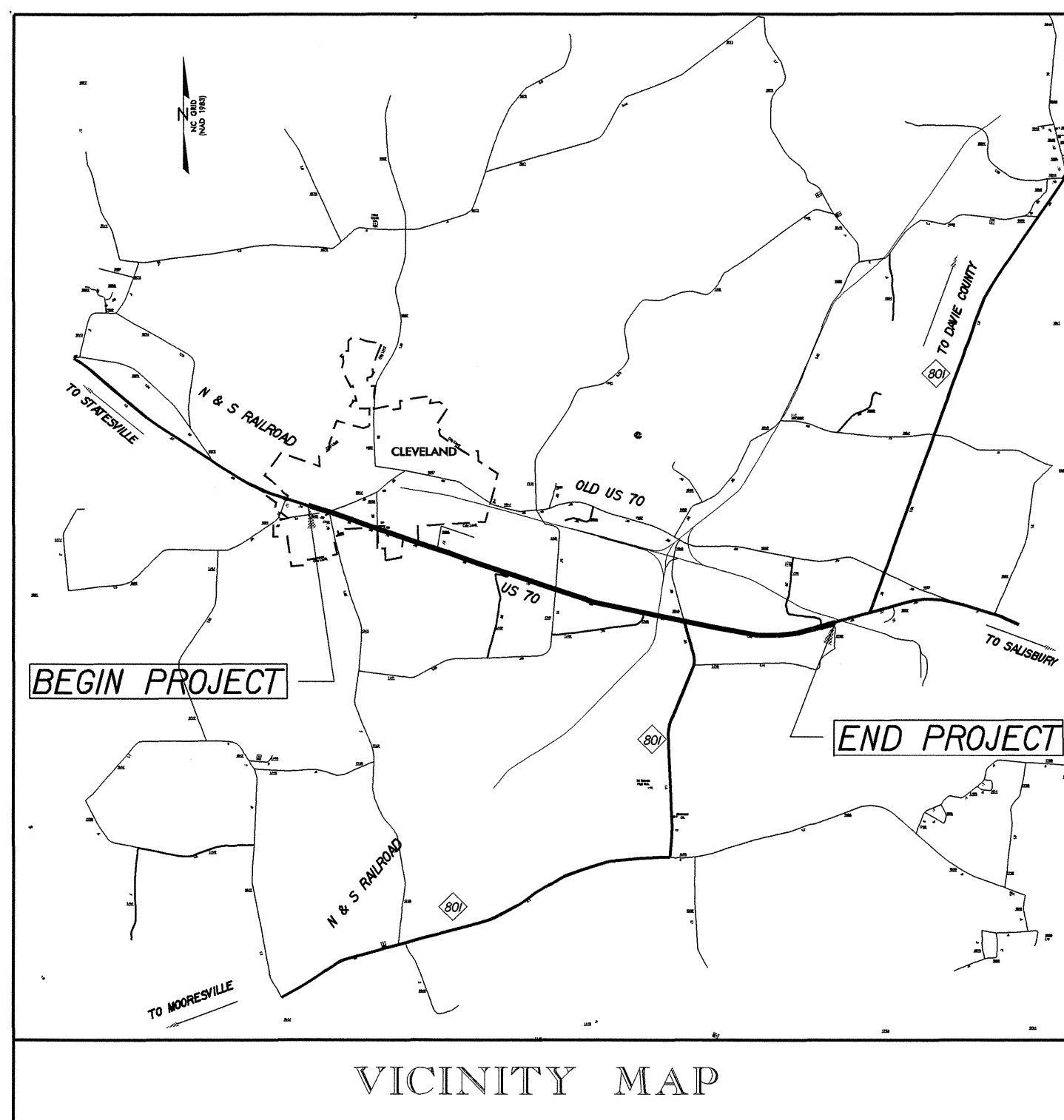


**TIP PROJECT: R-2911C**

STATE OF NORTH CAROLINA  
DIVISION OF HIGHWAYS

**UTILITY CONSTRUCTION PLANS  
ROWAN COUNTY**



**LOCATION:** US 70 FROM WEST OF SR 1001 (MAIN ST) TO SR 1739 (HILDEBRAND RD)

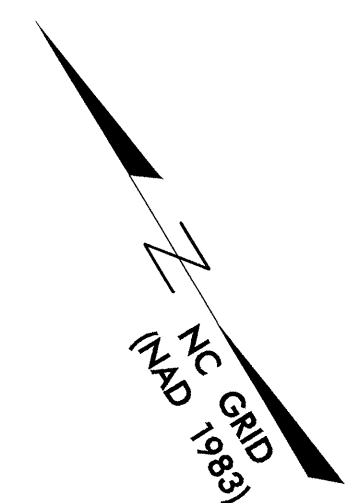
**TYPE OF WORK:** RELOCATING WATER AND SEWER LINES

**END TIP PROJECT R-2911C**  
DETOUR 2 PT STA 23+66.28

DETOUR 2 PT Sta. 23+66.28  
END CONSTRUCTION

L2 POT Sta. 225+00.00  
END CONSTRUCTION

DETOUR 2 PC Sta. 10+00.00  
BEGIN CONSTRUCTION



**BEGIN TIP PROJECT R-2911C**  
DETOUR 1 PC STA 10+00.00

DETOUR 1 PC Sta. 10+00.00  
BEGIN CONSTRUCTION

L1 POT STA 7+57.57  
BEGIN CONSTRUCTION

DETOUR 1 PT Sta. 20+64.85  
END CONSTRUCTION

Y1 POC Sta. 12+25.00  
BEGIN CONSTRUCTION

Y3 POC Sta. 10+50.00  
BEGIN CONSTRUCTION

Y5 POT Sta. 10+00.00  
BEGIN CONSTRUCTION

CLEVELAND

WILLIAM ST

UC-2

UC-3

UC-4

UC-5

UC-6

UC-7

UC-8

UC-9

UC-10

UC-11

UC-12

UC-13

UC-14

UC-15

UC-16

UC-17

UC-18

UC-19

UC-20

UC-21

UC-22

Y2 POT Sta. 12+25.00  
END CONSTRUCTION

Y4 POT Sta. 10+25.00  
BEGIN CONSTRUCTION

Y5 POT Sta. 16+50.00  
END CONSTRUCTION

Y6 POT Sta. 11+80.00  
END CONSTRUCTION

Y5 POT Sta. 10+00.00  
BEGIN CONSTRUCTION

Y3 POC Sta. 10+50.00  
BEGIN CONSTRUCTION

Y1 POC Sta. 12+25.00  
BEGIN CONSTRUCTION

Y7 POT Sta. 10+30.00  
BEGIN CONSTRUCTION

Y8 POT Sta. 12+60.00  
BEGIN CONSTRUCTION

Y9 POT Sta. 10+00.00  
BEGIN CONSTRUCTION

Y10 POT Sta. 13+52.00  
END CONSTRUCTION

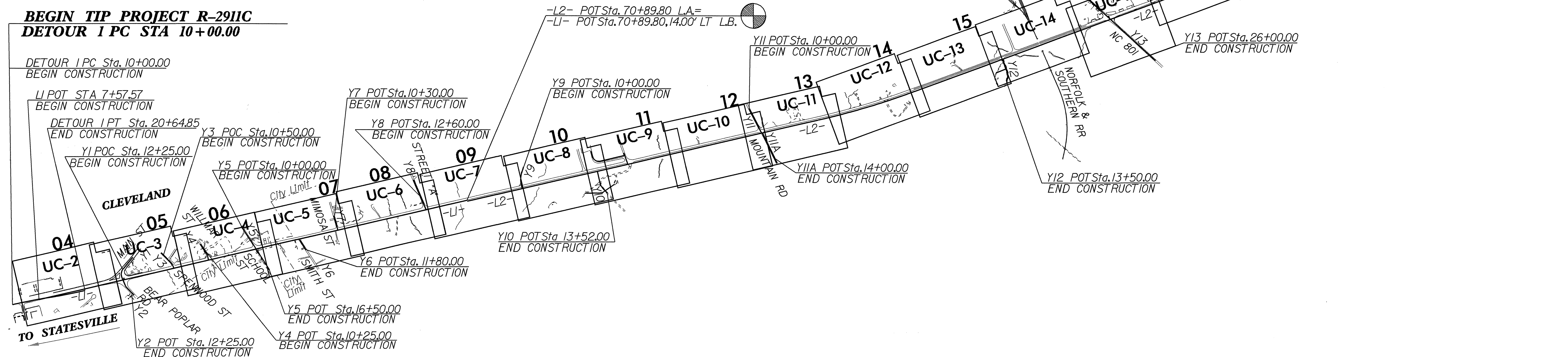
Y11 POT Sta. 10+00.00  
BEGIN CONSTRUCTION

Y11A POT Sta. 14+00.00  
END CONSTRUCTION

Y13 POT Sta. 14+50.00  
BEGIN CONSTRUCTION

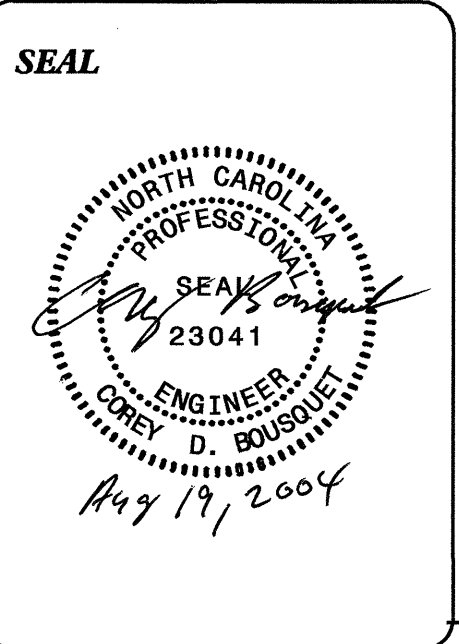
Y13 POT Sta. 26+00.00  
END CONSTRUCTION

-L2- POT Sta. 70+89.80 LA=  
-L1- POT Sta. 70+89.80, 14.00' LT L.B.



INDEX OF SHEETS	
SHEET NO.	DESCRIPTION
UC-1	TITLE SHEET
UC-2 THRU UC-20	UTILITY CONSTRUCTION PLAN SHEETS
UC-21 THRU UC-24	PROFILE SHEETS
UC-25	DETAILS SHEET

- WATER AND SEWER OWNERS ON PROJECT**
- (1) WATER TOWN OF CLEVELAND
  - (2) WATER ROWAN COUNTY
  - (3) SANITARY SEWER (GRAVITY)- TOWN OF CLEVELAND
  - (4) SANITARY FORCE MAIN -TOWN OF CLEVELAND



PREPARED IN THE OFFICE OF:  
**DIVISION OF HIGHWAYS  
DESIGN SERVICES  
UTILITY SECTION**

1591 MAIL SERVICES CENTER  
RALEIGH, NC 27699-1591  
PHONE (919) 250-4128  
FAX (919) 250-4119

**Roger Worthington, P.E.** UTILITIES SECTION ENGINEER  
**COREY BOUSQUET, P.E.** UTILITIES SQUAD LEADER/PROJECT ENGINEER  
**JAMSHID HAFSHEJANI** UTILITIES PROJECT DESIGNER