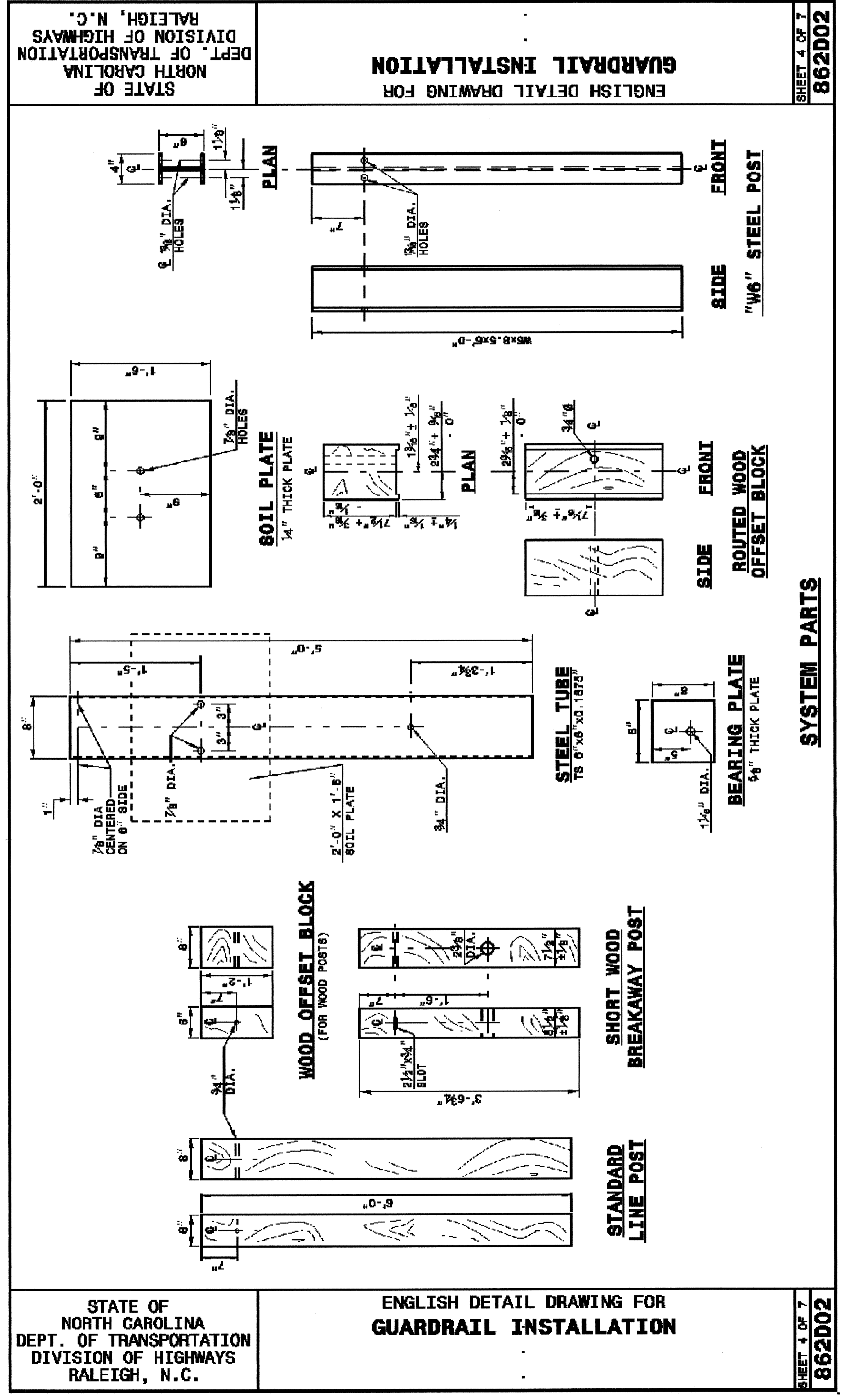
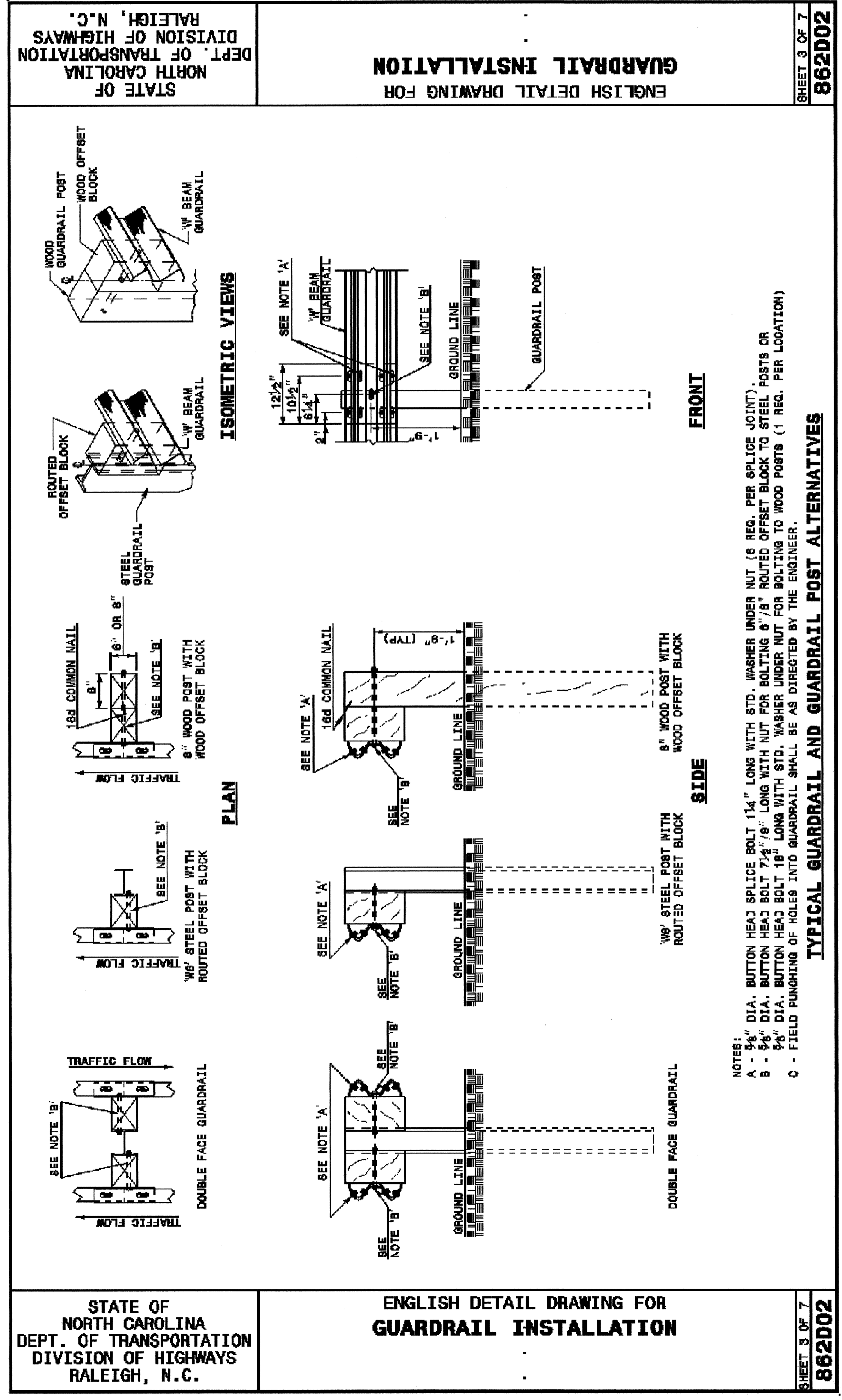


22-MAY-2003 15:30  
 C:\SPECIAL\_DESIGN\stds and details\22-stds to Special Units\enlg\sh\85202\85202.dwg  
 P:\SPECIAL\_DESIGN\stds and details\22-stds to Special Units\enlg\sh\85202\85202.dwg  
 6/14/59



NOEL S. HOWERTON  
12061  
9/17/04  
PROFESSIONAL ENGINEER  
NORTH CAROLINA  
SEAL 022966

DESIGN SERVICES UNIT STANDARDS AND SPECIAL DESIGN Office 919-250-4128 FAX 919-250-4119	
<b>SEE PLATE FOR TITLE</b>	
ORIGINAL BY: 2002 STD. 862.02 DATE:	DATE: 02-09-03
MODIFIED BY: E.E. WARD	DATE:
CHECKED BY:	DATE:
FILE SPEC.: /usr/ctdus/02rodeta11/enlg/lsh/86202/862D02.dwg	