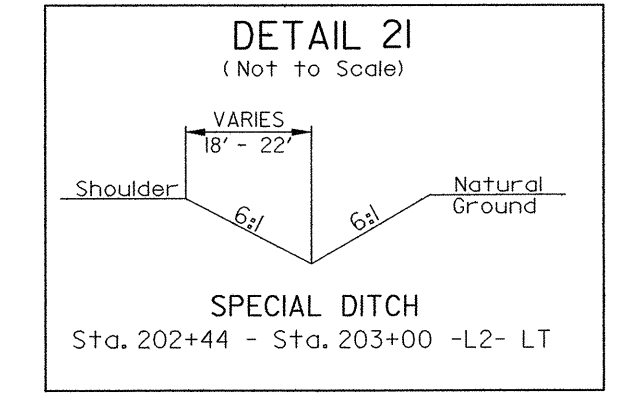
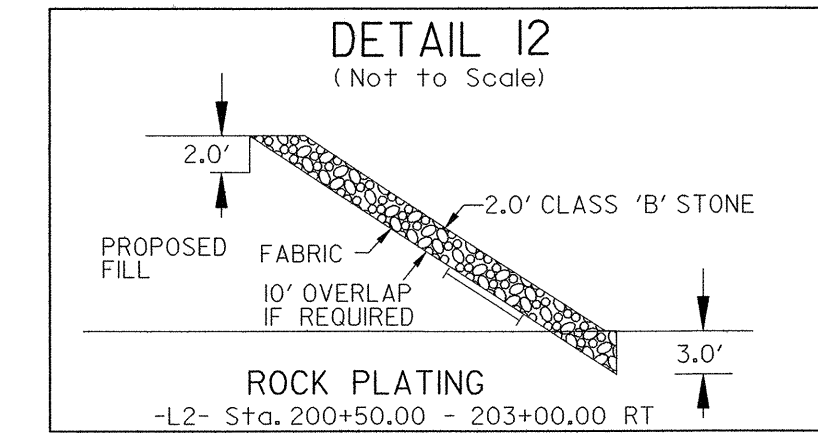
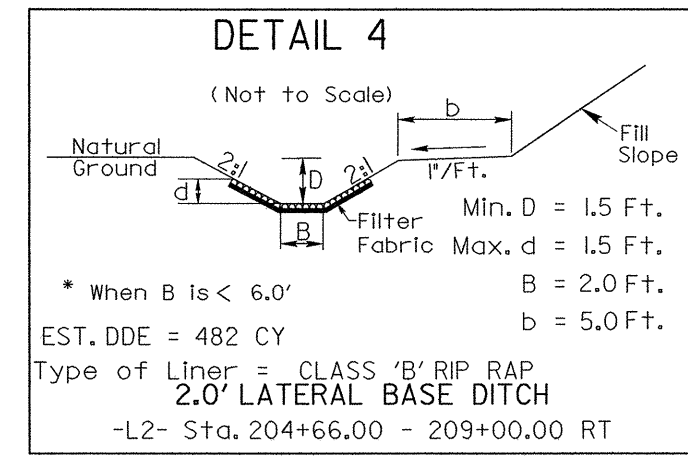
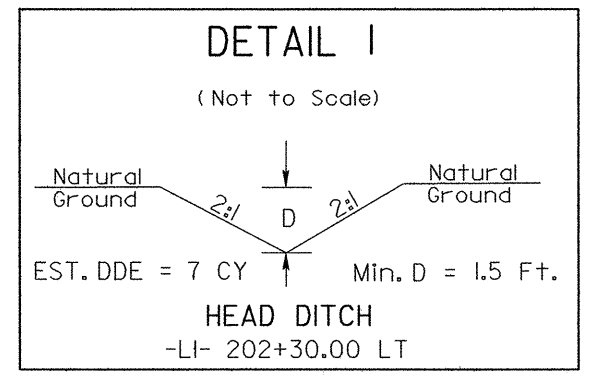
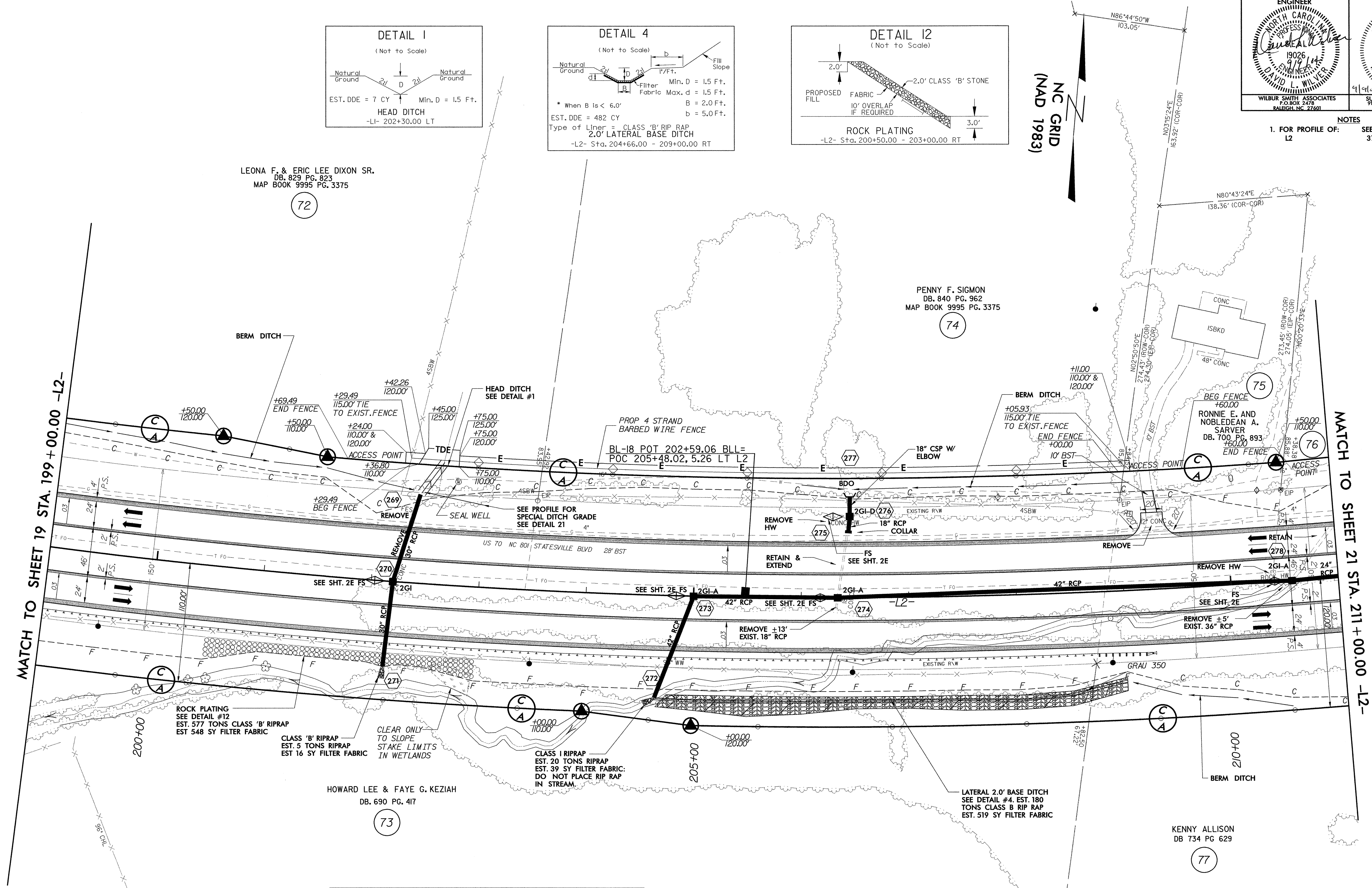


PROJECT REFERENCE NO. <b>R-2911C</b>		SHEET NO. <b>20</b>	
RW SHEET NO.			
ROADWAY DESIGN ENGINEER		HYDRAULICS ENGINEER	
WILBUR SMITH ASSOCIATES P.O. BOX 2478 RALEIGH, NC 27602		SUNGATE DESIGN GROUP 915-A JONES FRANKLIN RD. RALEIGH, NC 27609	

NOTES  
1. FOR PROFILE OF: L2 SEE SHEET NO: 37, 38



-L2-		
<i>Pis</i> Sta 190+06.08 $\Delta s = 0' 36'' 00.0''$ $Ls = 120.00'$ $LT = 80.00'$ $ST = 40.00'$	<i>Pi</i> Sta 203+69.75 $\Delta = 26' 01'' 01.2''$ (LT) $D = 1' 00'' 00.0''$ $L = 2601.70'$ $T = 1,323.67'$ $R = 5,729.58'$ $SE = .03$ $DS = 60$ MPH	<i>Pis</i> Sta 216+87.78 $\Delta s = 0' 36'' 00.0''$ $Ls = 120.00'$ $LT = 80.00'$ $ST = 40.00'$



REVISIONS

8/17/99

DATE: 9/25/04 4:04 PM  
C:\ncd\proj\2911c\roadway\proj\2911c\_rdy\_psh\_20.dgn