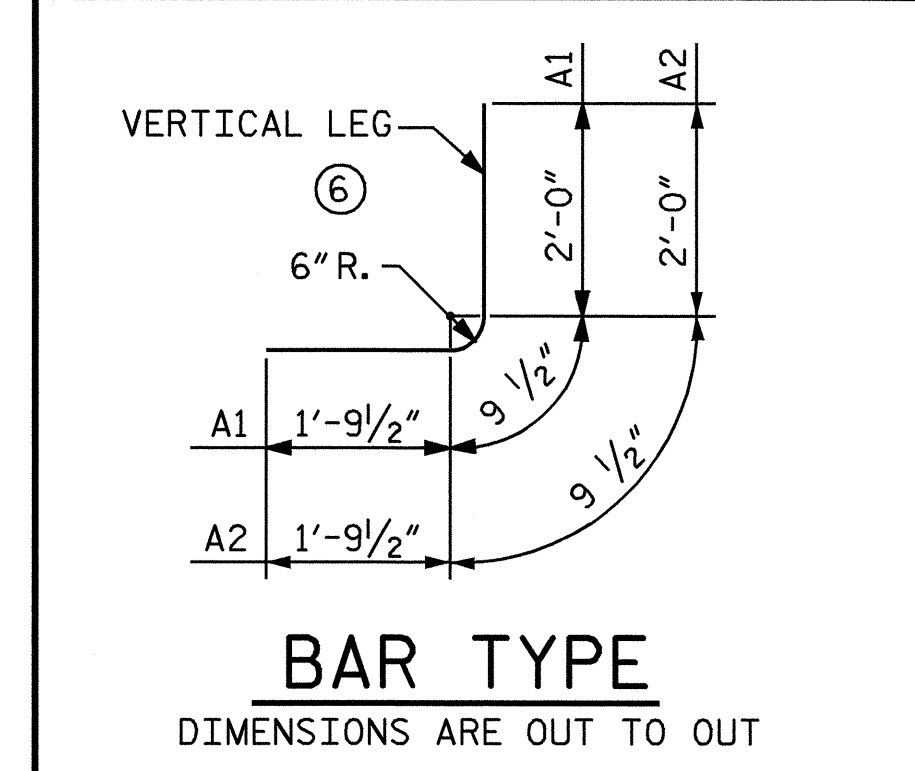


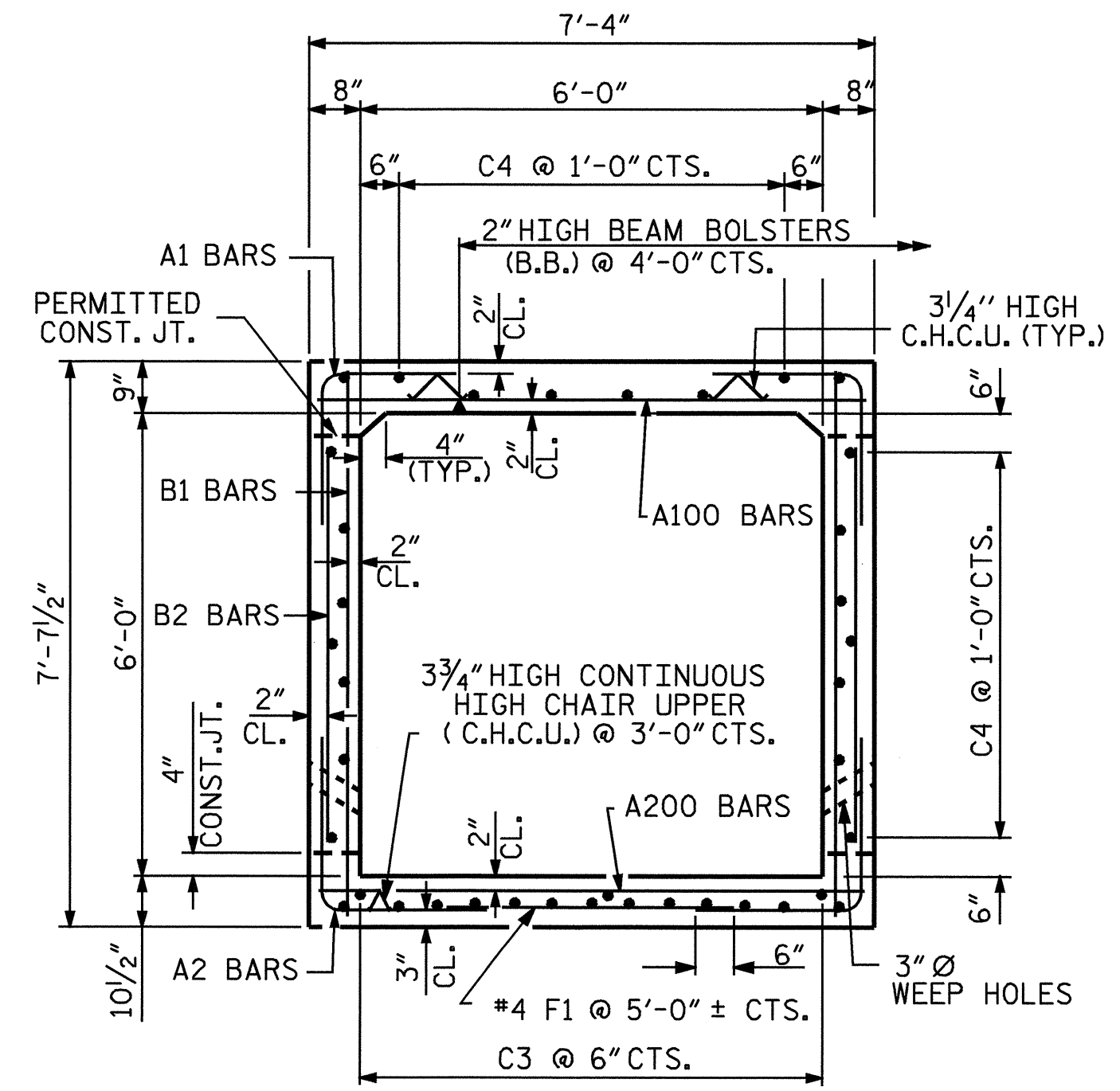
RIGHT CULVERT EXTENSION SECTION NORMAL TO ROADWAY

BAR SCHEDULE					
RIGHT EXTENSION					
BAR	NO.	SIZE	TYPE	LENGTH	WEIGHT
A1	171	#5	6	4'-7"	817
A2	205	#5	6	4'-7"	980
A100	96	#6	STR	6'-11"	997
A102	1	#6	STR	3'-11"	6
A200	151	#5	STR	6'-11"	1089
A202	2	#5	STR	2'-8"	6
B1	131	#4	STR	7'-1"	620
B2	172	#4	STR	5'-4"	613
C3	48	#4	STR	26'-6"	850
C4	66	#4	STR	22'-4"	985
D1	20	#6	STR	2'-6"	75
F1	16	#4	STR	4'-5"	47
G2	2	#4	STR	7'-0"	9
S1	6	#8	STR	7'-2"	115
REINFORCING STEEL					= 7209 LBS.

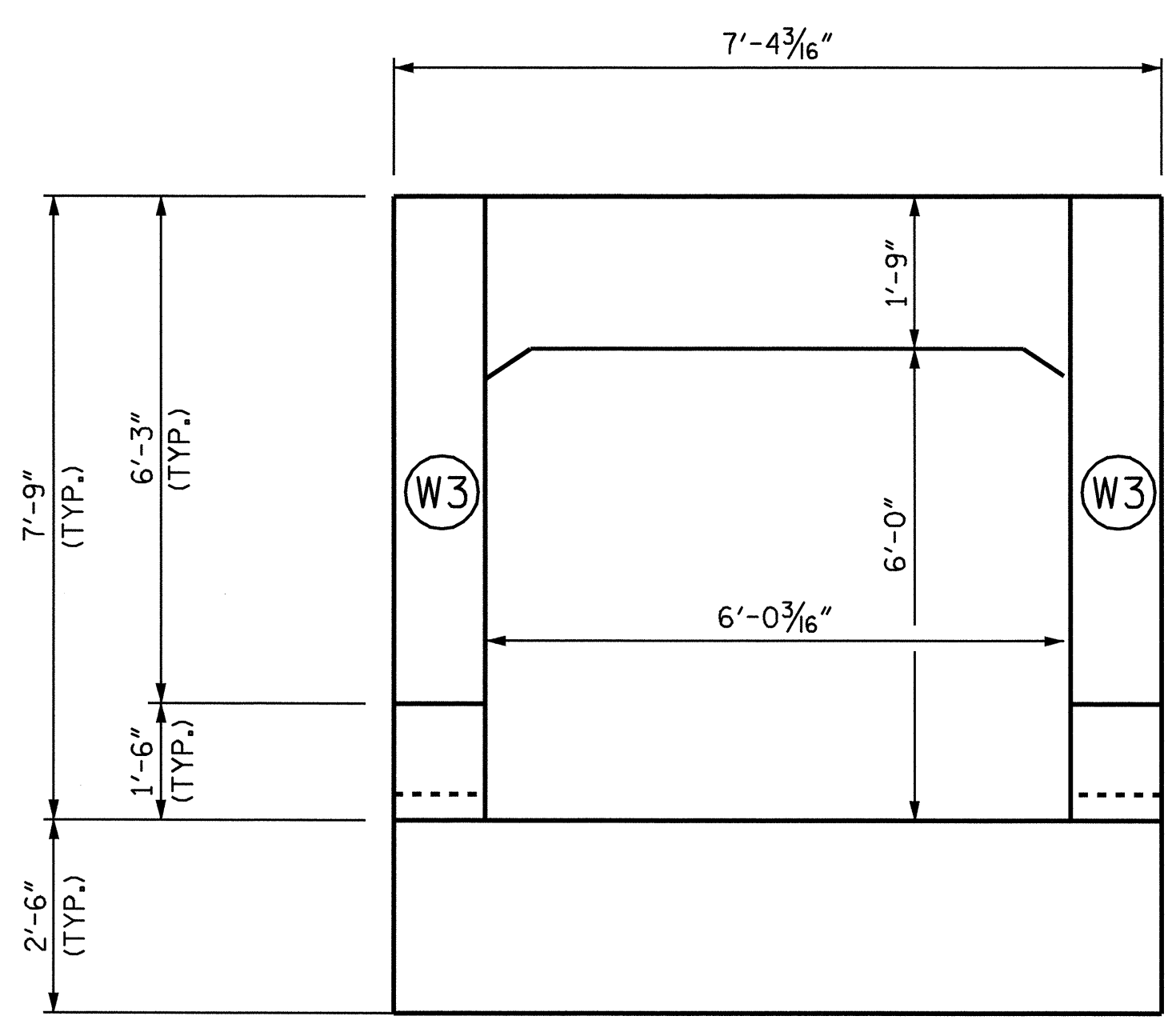
SPLICE LENGTHS CHART		
BAR	SIZE	SPLICE LENGTH
B1	#4	1'-9"
"C"	#4	1'-11"



RIGHT EXTENSION STRUCTURE QUANTITIES	
CLASS A CONCRETE	
BARREL @ 0.739 C.Y./FT.	46.8 C.Y.
WINGS, ETC.	6.5 C.Y.
TOTAL	53.3 C.Y.
REINFORCING STEEL	
BARREL	7209 LBS.
WINGS, ETC.	518 LBS.
TOTAL	7727 LBS.
FOUNDATION CONDITIONING MATERIAL	40 TONS
CULVERT EXCAVATION	LUMP SUM



RIGHT ANGLE SECTION OF BARREL
THERE ARE 38 "C" BARS IN SECTION OF BARREL



OUTLET END ELEVATION NORMAL TO SKEW



PROJECT NO. R-2911C
ROWAN COUNTY
 STATION: 62+25.00-L1-
 SHEET 5 OF 7

STATE OF NORTH CAROLINA
 DEPARTMENT OF TRANSPORTATION
 RALEIGH
**SINGLE 6 FT. X 6 FT.
 CONCRETE BOX CULVERT
 (RIGHT EXTENSION)**

REVISIONS						SHEET NO.	
NO.	BY:	DATE:	NO.	BY:	DATE:	C-5	
1			3			TOTAL SHEETS	
2			4			20	

DRAWN BY: L.L. MURPHY DATE: 08-04
 CHECKED BY: M.G. CHEEK DATE: 09-04

01-OCT-2004 14:22
 w:\sdquady\F2911c\lmurphy\R2911c.ed.CU.01.dgn
 lmurphy