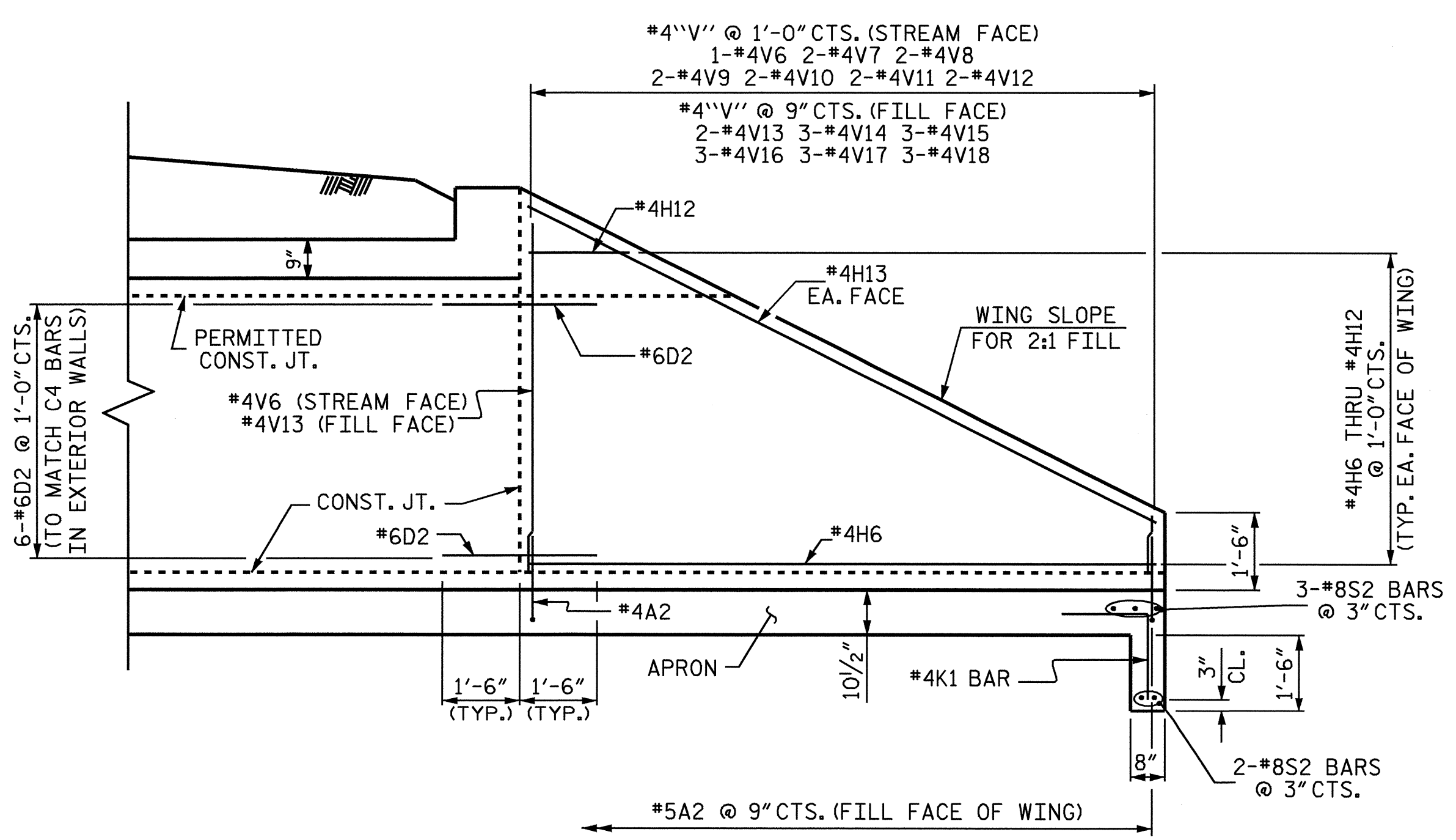
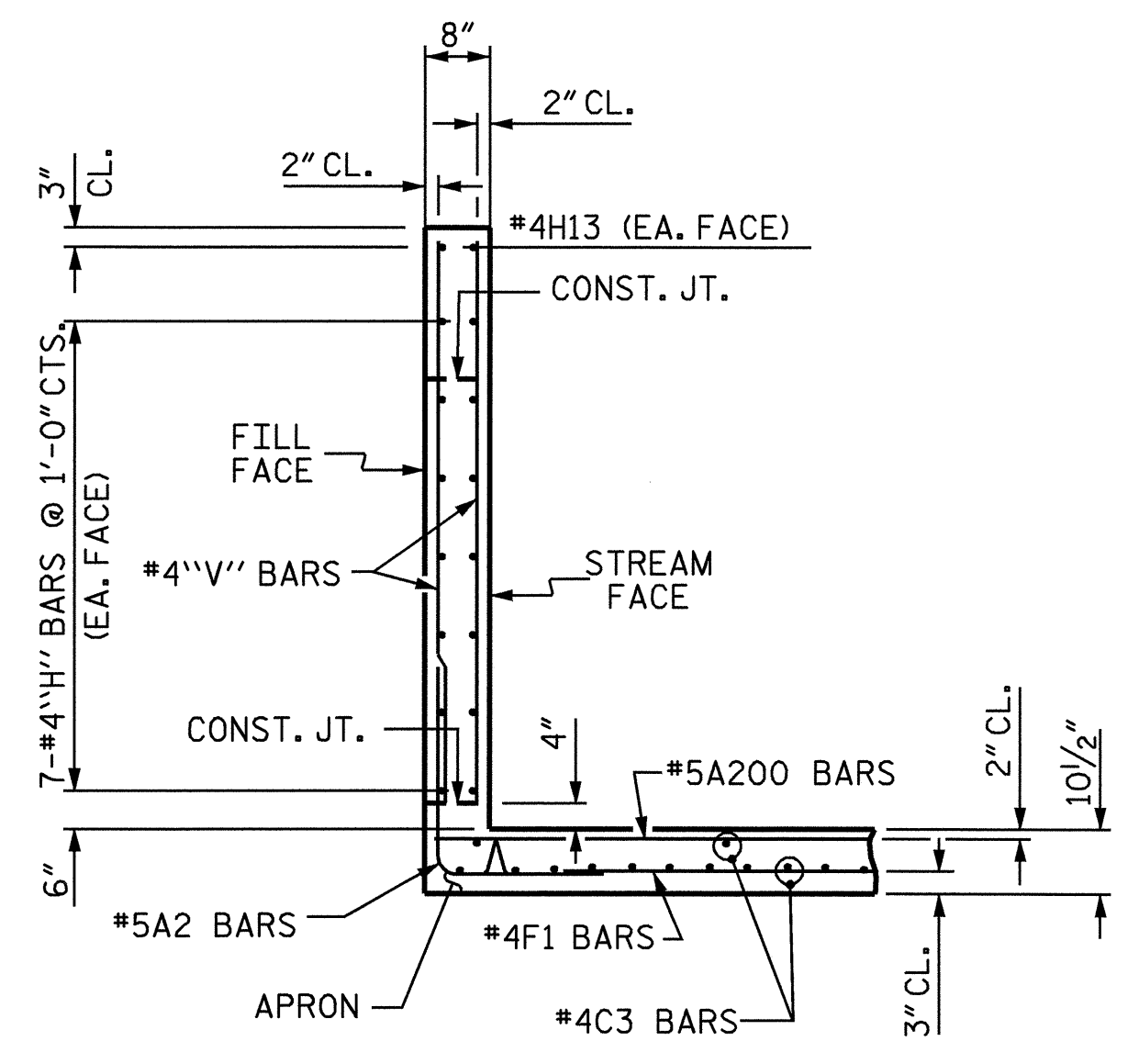


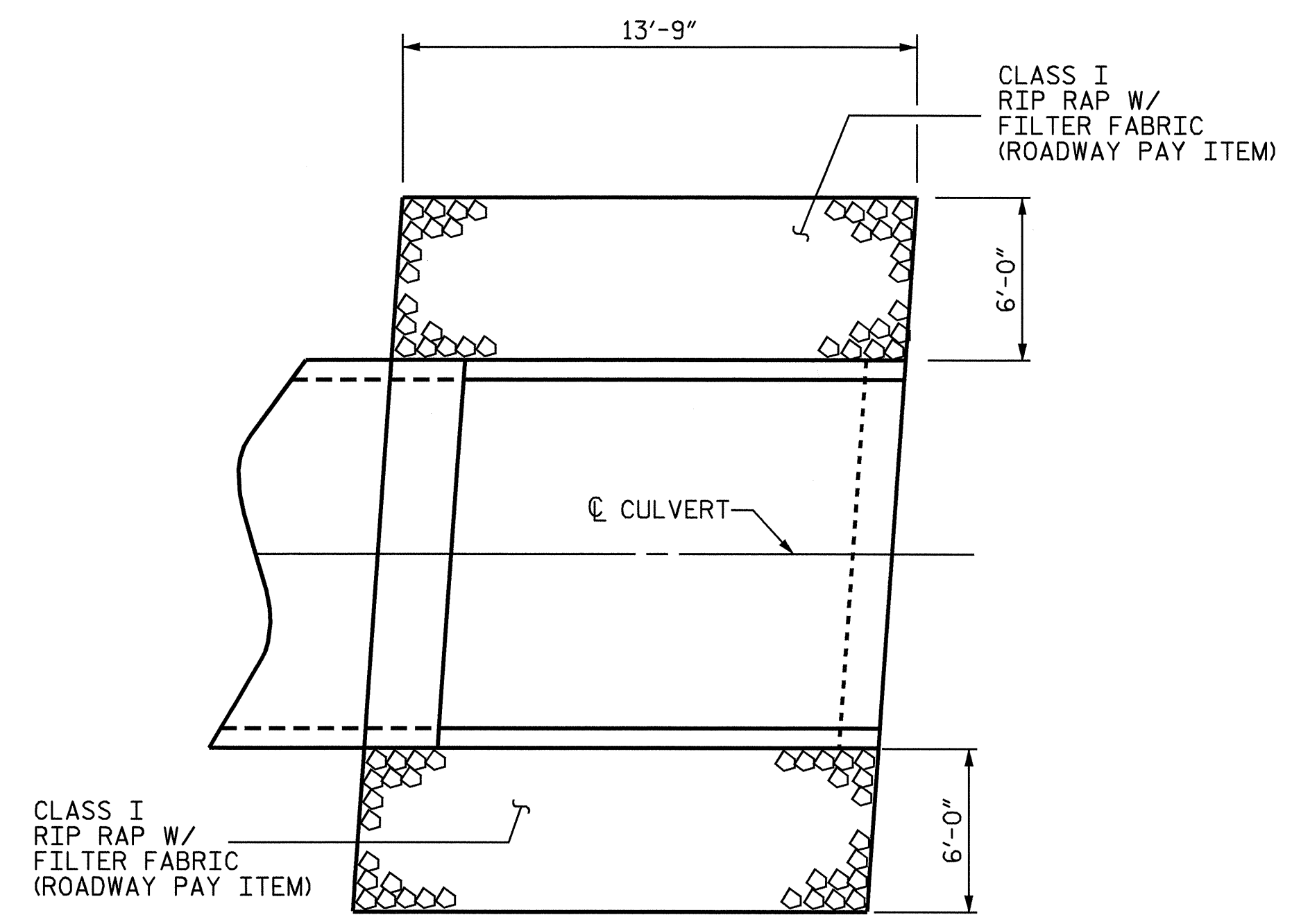
PLAN W2



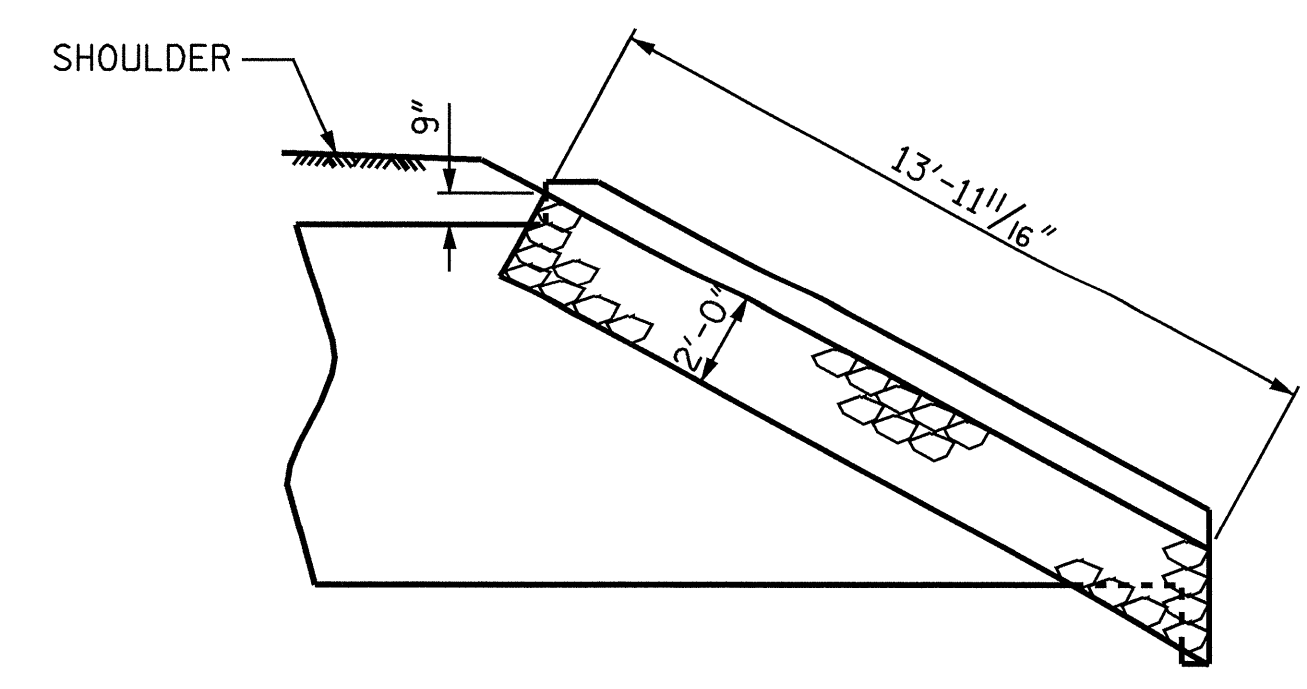
ELEVATION W2



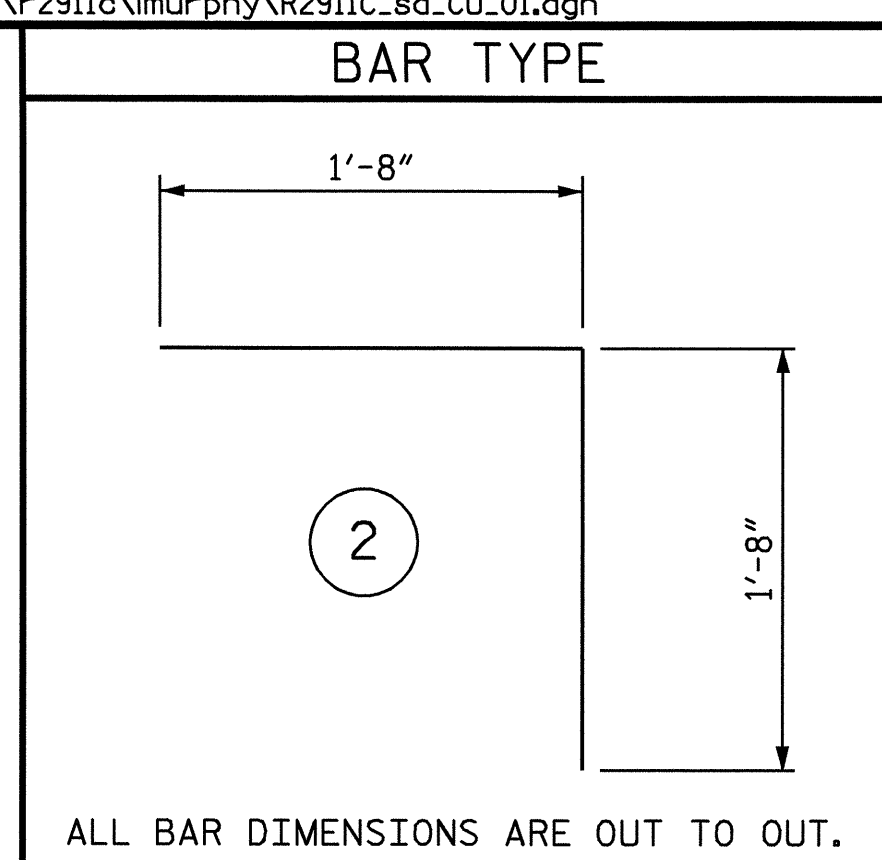
TYPICAL WING SECTION



PLAN VIEW



ELEVATION VIEW
OUTLET WING RIP RAP DETAILS



NOTES
A 3 FOOT STRIP OF FILTER FABRIC SHALL BE ATTACHED TO THE FILL FACE OF THE WING COVERING THE ENTIRE LENGTH OF THE EXPANSION JOINT.
G1 BARS IN HEADWALL ARE INCLUDED WITH BARREL REINFORCING STEEL.

BAR TYPE		BILL OF MATERIAL				
BAR	NO.	SIZE	TYPE	LENGTH	WEIGHT	
D2	19	#6	STR	3'-0"	86	
H6	4	#4	STR	12'-2"	33	
H7	4	#4	STR	11'-11"	32	
H8	4	#4	STR	9'-11"	26	
H9	4	#4	STR	7'-11"	21	
H10	4	#4	STR	5'-11"	16	
H11	4	#4	STR	3'-11"	10	
H12	4	#4	STR	1'-11"	5	
H13	4	#4	STR	13'-7"	36	
K1	4	#4	2	3'-4"	9	
S2	5	#8	STR	7'-0"	93	
V6	2	#4	STR	7'-1"	9	
V7	4	#4	STR	6'-1"	16	
V8	4	#4	STR	5'-1"	14	
V9	4	#4	STR	4'-1"	11	
V10	4	#4	STR	3'-1"	8	
V11	4	#4	STR	2'-1"	6	
V12	4	#4	STR	1'-1"	3	
V13	4	#4	STR	6'-8"	18	
V14	6	#4	STR	5'-7"	22	
V15	6	#4	STR	4'-5"	18	
V16	6	#4	STR	3'-4"	13	
V17	6	#4	STR	2'-2"	9	
V18	6	#4	STR	1'-1"	4	
REINFORCING STEEL					= 518 LBS.	
CLASS A CONCRETE						
2 WINGS					2.9 C.Y.	
FLOOR SLAB					3.0 C.Y.	
CURTAINWALL					0.3 C.Y.	
HEADWALL					0.3 C.Y.	
TOTAL					6.5 C.Y.	

PROJECT NO. R-2911C
ROWAN COUNTY
STATION: 62+25.00-L1-

SHEET 7 OF 7

STATE OF NORTH CAROLINA
DEPARTMENT OF TRANSPORTATION
RALEIGH
SPECIAL WING (W2)
FOR
CONCRETE BOX CULVERT
SLOPE = 2:1
(RIGHT EXTENSION)



ASSEMBLED BY: L.L.MURPHY DATE: 06-04
CHECKED BY: M.G.CHEEK DATE: 09-04

REVISIONS						TOTAL SHEETS
NO.	BY:	DATE:	NO.	BY:	DATE:	20
1			3			
2			4			