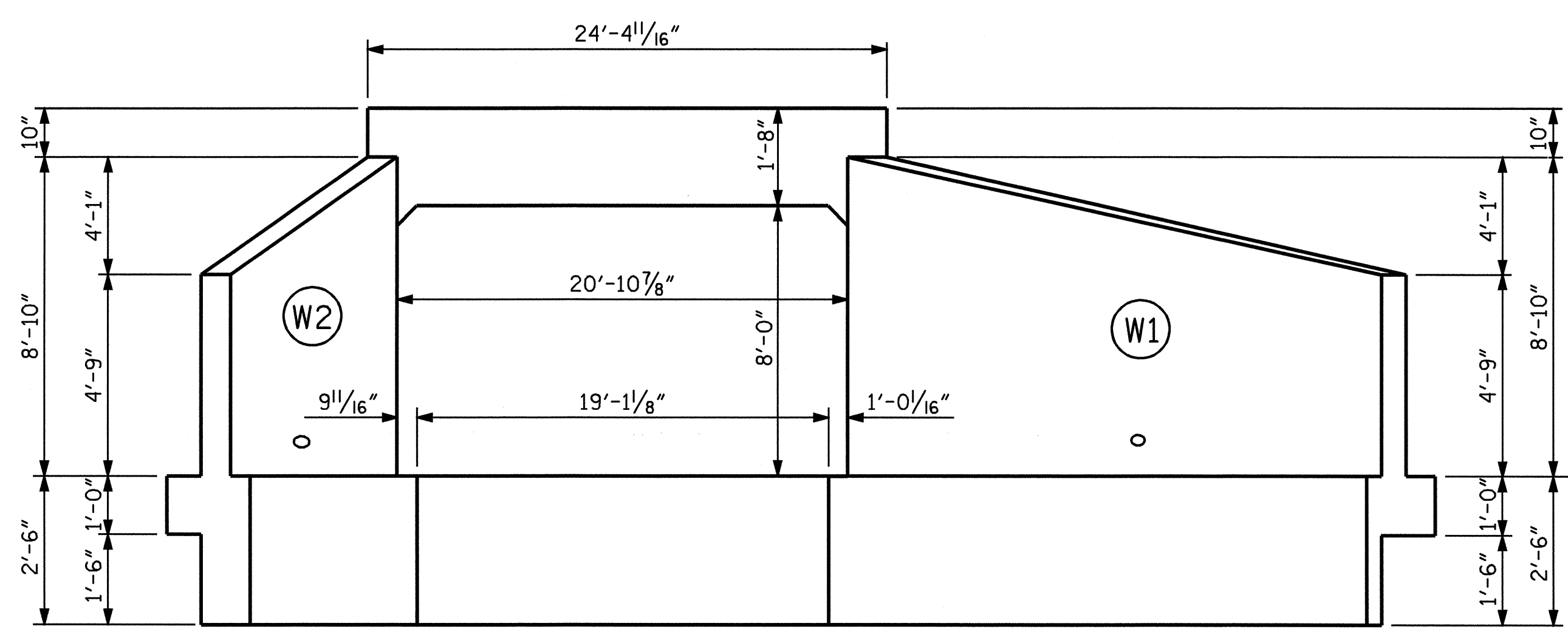
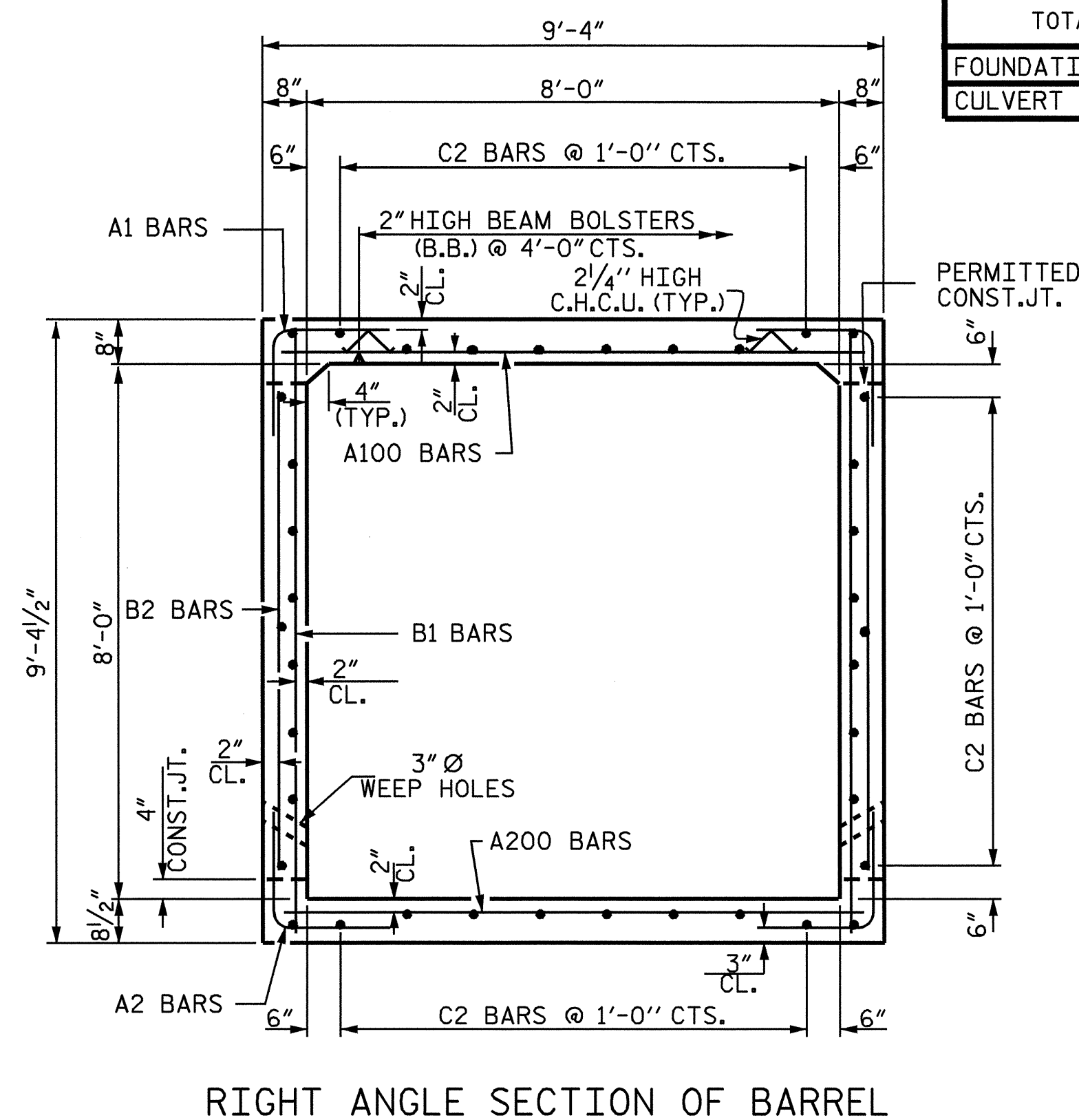


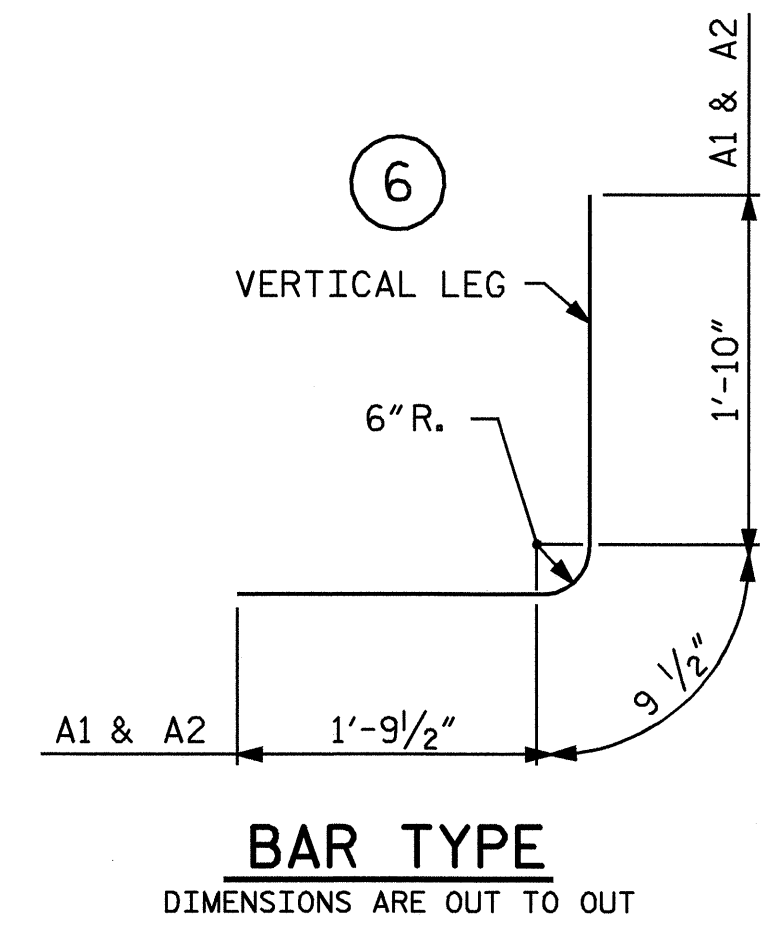
CULVERT SECTION NORMAL TO ROADWAY



OUTLET END ELEVATION NORMAL TO SKEW



RIGHT ANGLE SECTION OF BARREL
 THERE ARE 38 "C" BARS IN SECTION OF BARREL



BAR TYPE
 DIMENSIONS ARE OUT TO OUT

RIGHT EXTENSION STRUCTURE QUANTITIES	
CLASS A CONCRETE	
BARREL @ 0.871 C.Y./FT.	129.1 C.Y.
WINGS, ETC.	17.9 C.Y.
TOTAL	147.0 C.Y.
REINFORCING STEEL	
BARREL	19665 LBS.
WINGS, ETC.	941 LBS.
TOTAL	20606 LBS.
FOUNDATION CONDITIONING MATERIAL	98 TONS
CULVERT EXCAVATION	LUMP SUM

BAR SCHEDULE					
RIGHT EXTENSION					
BAR	NO.	SIZE	TYPE	LENGTH	WEIGHT
A1	445	#5	6	4'-5"	2050
A2	445	#5	6	4'-5"	2050
A100	199	#6	STR	8'-11"	2665
A106	2	#6	STR	7'-6"	23
A107	2	#6	STR	6'-2"	19
A108	2	#6	STR	4'-10"	15
A109	2	#6	STR	3'-6"	11
A110	2	#6	STR	2'-2"	7
A111	4	#6	STR	7'-9"	47
A112	4	#6	STR	6'-8"	40
A113	4	#6	STR	5'-6"	33
A114	4	#6	STR	4'-4"	26
A115	4	#6	STR	3'-3"	20
A116	4	#6	STR	2'-1"	13
A117	2	#6	STR	7'-0"	21
A118	1	#6	STR	8'-0"	12
A200	288	#5	STR	8'-11"	2678
A206	3	#5	STR	7'-6"	23
A207	3	#5	STR	6'-1"	19
A208	3	#5	STR	4'-9"	15
A209	3	#5	STR	3'-4"	10
A210	3	#5	STR	2'-0"	6
A211	6	#5	STR	7'-9"	48
A212	6	#5	STR	6'-7"	41
A213	6	#5	STR	5'-5"	34
A214	6	#5	STR	4'-3"	27
A215	6	#5	STR	3'-1"	19
A216	2	#5	STR	8'-0"	17
A217	2	#5	STR	7'-0"	15
A218	2	#5	STR	5'-0"	10
B1	445	#4	STR	8'-10"	2626
B2	445	#4	STR	7'-4"	2180
C2	228	#4	STR	27'-2"	4138
D1	28	#6	STR	2'-6"	105
G2	2	#4	STR	23'-0"	31
S2	6	#8	STR	23'-0"	368
S3	6	#8	STR	12'-8"	203
REINFORCING STEEL					= 19665 LBS.

SPLICE LENGTHS CHART		
BAR	SIZE	SPLICE LENGTH
B1	#4	1'-9"
C2	#4	1'-11"

PROJECT NO. R-2911C
ROWAN COUNTY
 STATION: 152+76.60-L2-

SHEET 5 OF 7
 STATE OF NORTH CAROLINA
 DEPARTMENT OF TRANSPORTATION
 RALEIGH
SINGLE 8 FT. X 8 FT. CONCRETE BOX CULVERT (RIGHT EXTENSION)



REVISED 8-28-92 BY E.L.R. CHECKED BY G.R.P.
 REVISED 8-22-98 BY A.R.B. CHECKED BY C.R.K.
 REDRAWN 8-22-98
 REVISED 11-19-99 BY M.M. CHECKED BY R.W.W.

ASSEMBLED BY : <u>L.L. MURPHY</u>	DATE : <u>08-04</u>	SPECIAL
CHECKED BY : <u>M.G. CHEEK</u>	DATE : <u>08-04</u>	
DRAWN BY : <u>R.W. WRIGHT</u>	DATE : <u>AUG. 1989</u>	STANDARD
CHECKED BY : <u>A.R. BISSETTE</u>	DATE : <u>AUG. 1989</u>	

REVISIONS						SHEET NO.
NO.	BY:	DATE:	NO.	BY:	DATE:	C-12
1			3			TOTAL SHEETS
2			4			20