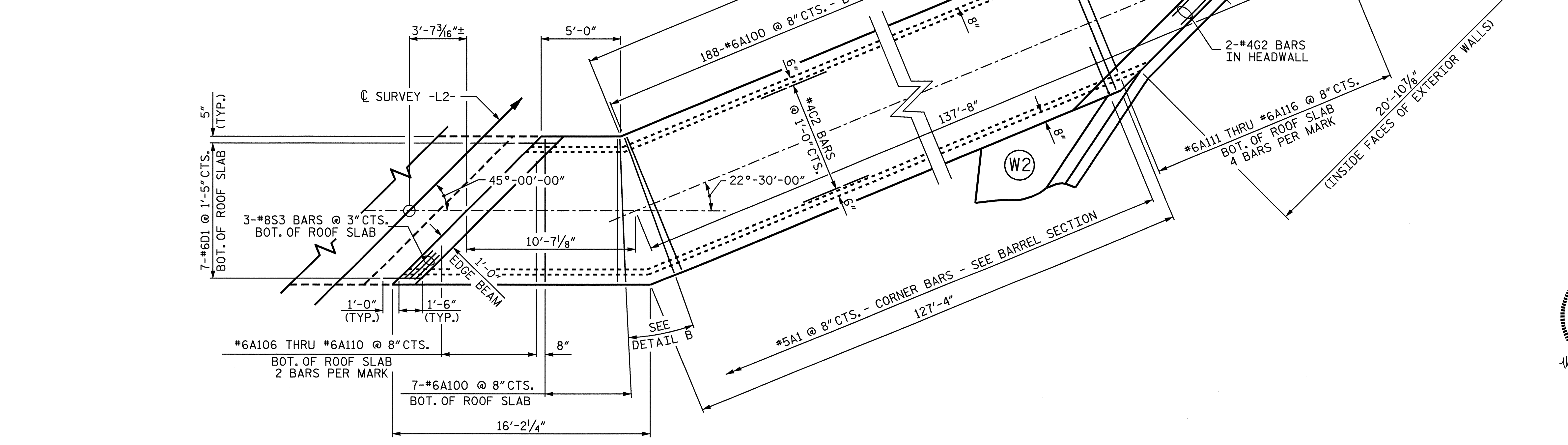
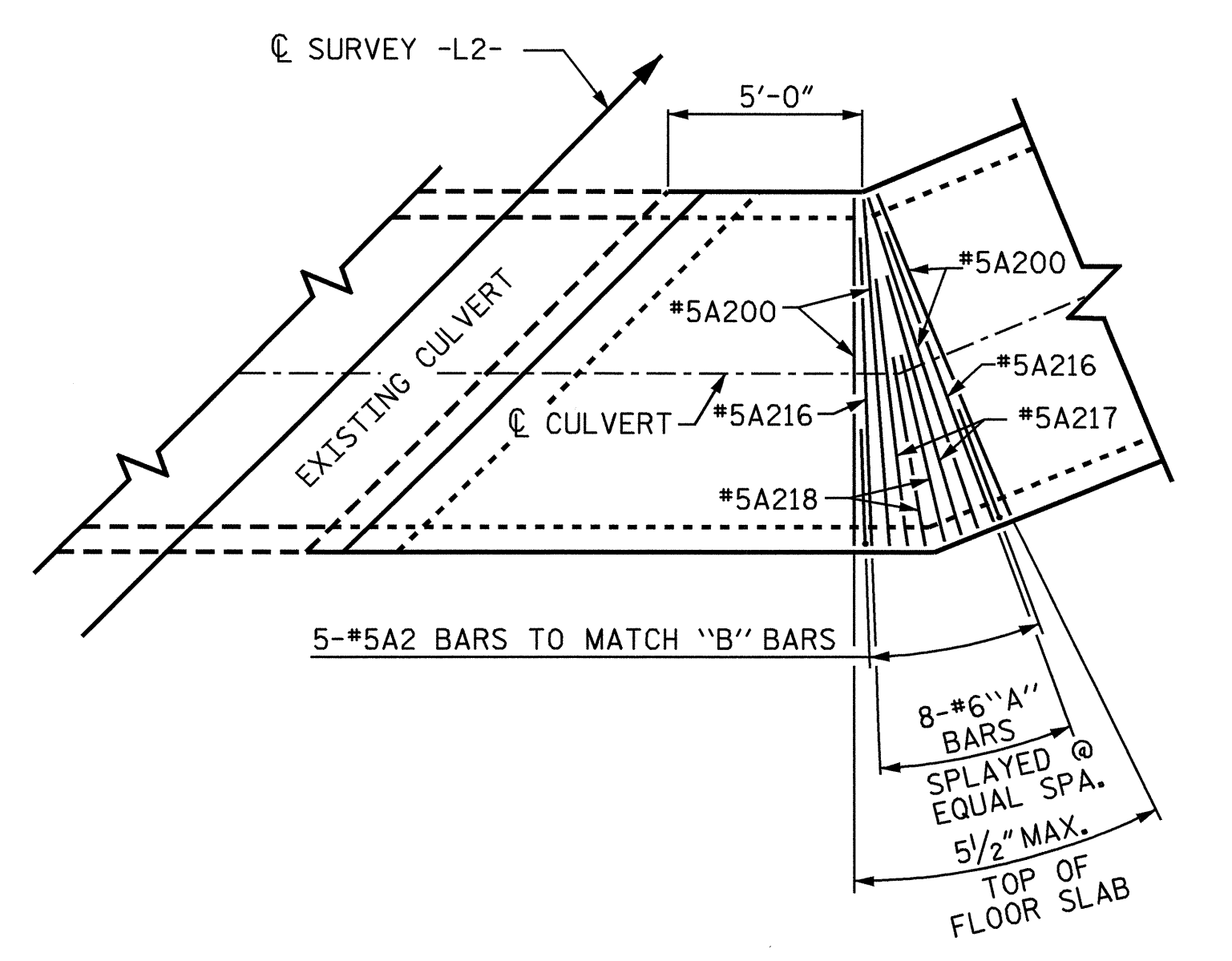


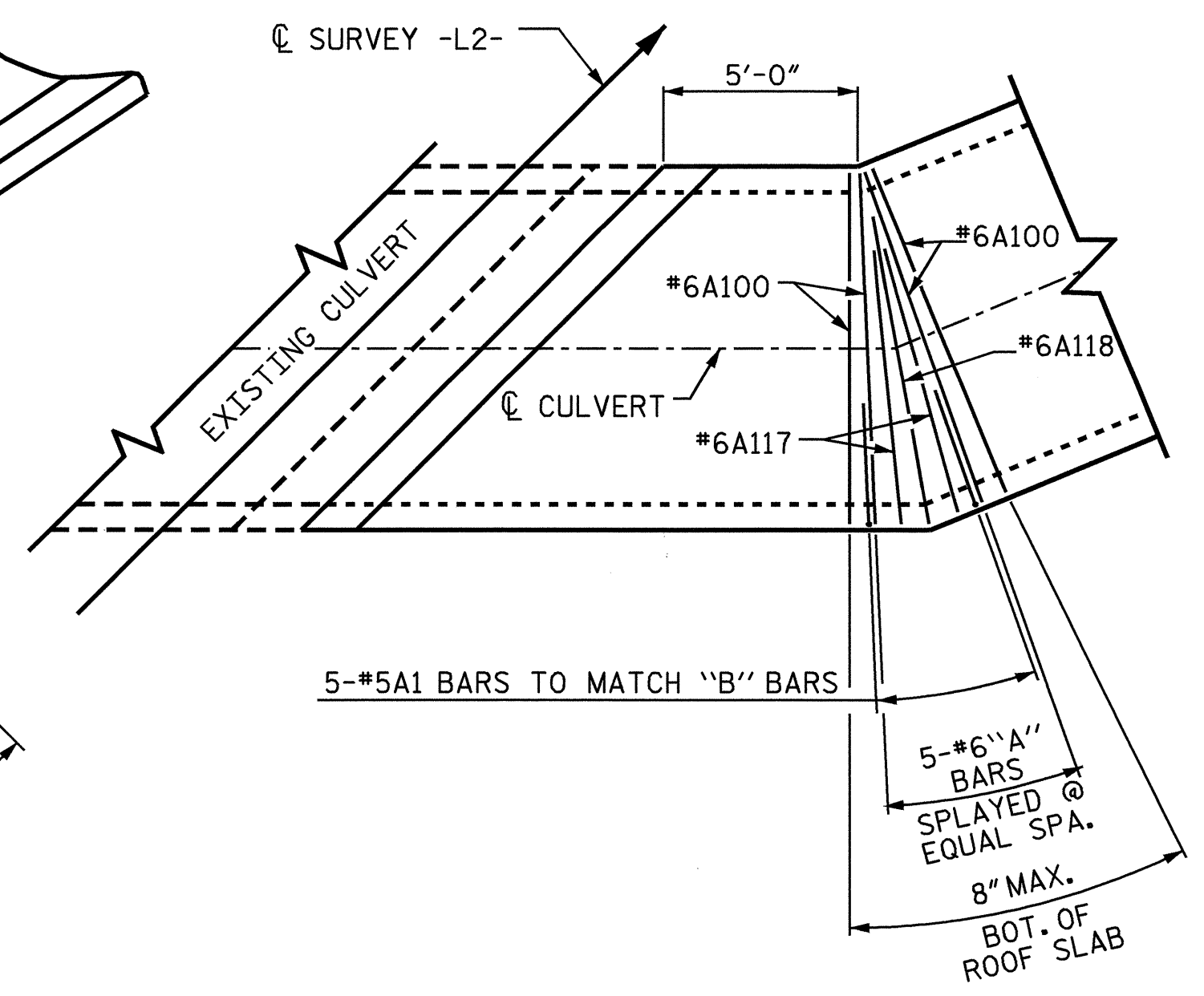
FLOOR SLAB LEFT EXTENSION



ROOF SLAB LEFT EXTENSION



DETAIL A



DETAIL B

PROJECT NO. R-2911C
ROWAN COUNTY
 STATION: 152+76.60-L2-

SHEET 6 OF 7



STATE OF NORTH CAROLINA
 DEPARTMENT OF TRANSPORTATION
 RALEIGH
**SINGLE 8 FT. X 8 FT.
 CONCRETE BOX CULVERT
 (RIGHT EXTENSION)**

DRAWN BY: L.L. MURPHY DATE: 08-04
 CHECKED BY: M.G. CHEEK DATE: 08-04

REVISIONS						SHEET NO.	
NO.	BY:	DATE:	NO.	BY:	DATE:	C-13	
1			3			TOTAL SHEETS	
2			4			20	

01-OCT-2004 14:48
 w:\sdquady\2911c\lmmurphy\R2911C.sd.CU.02.dgn
 lmmurphy