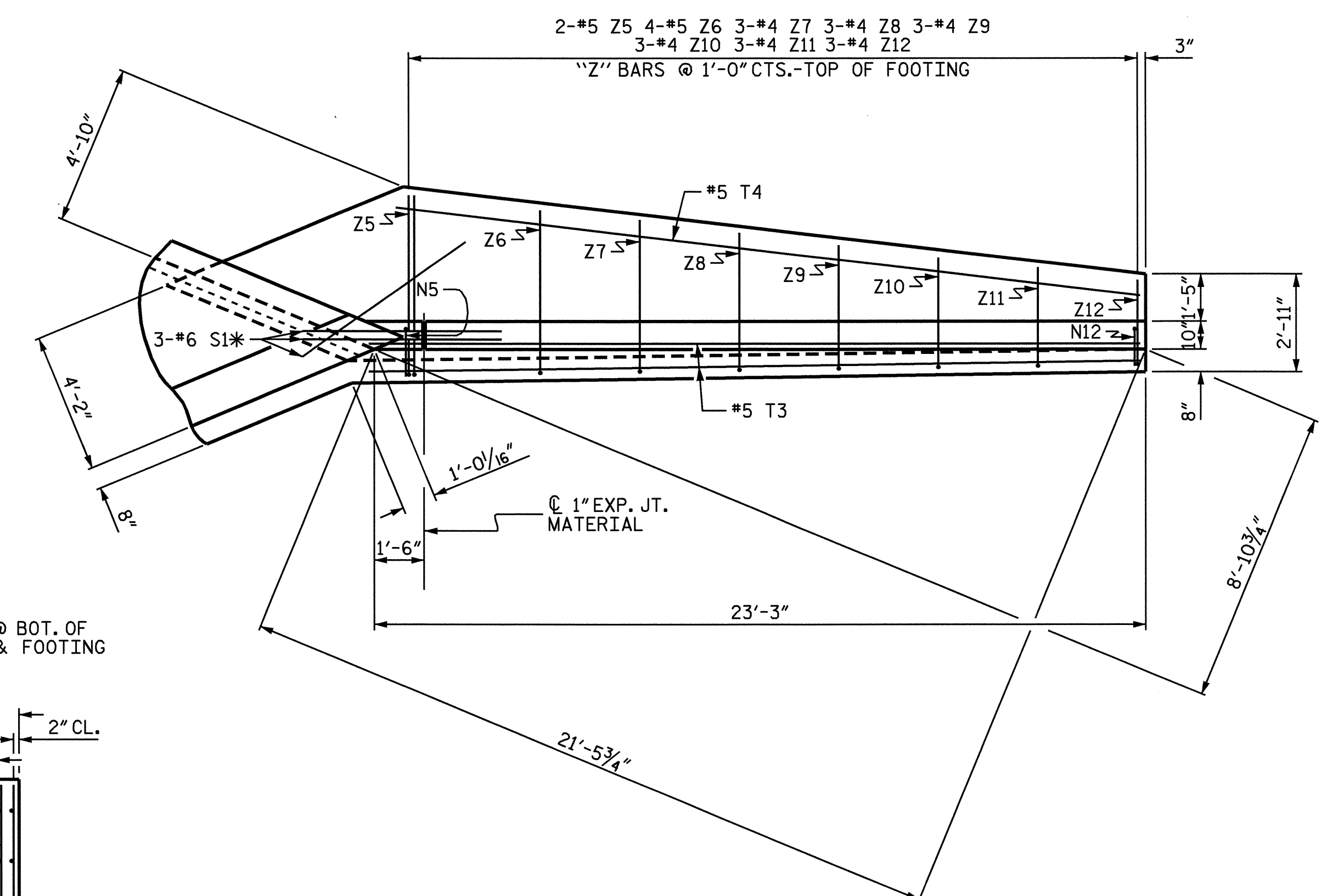
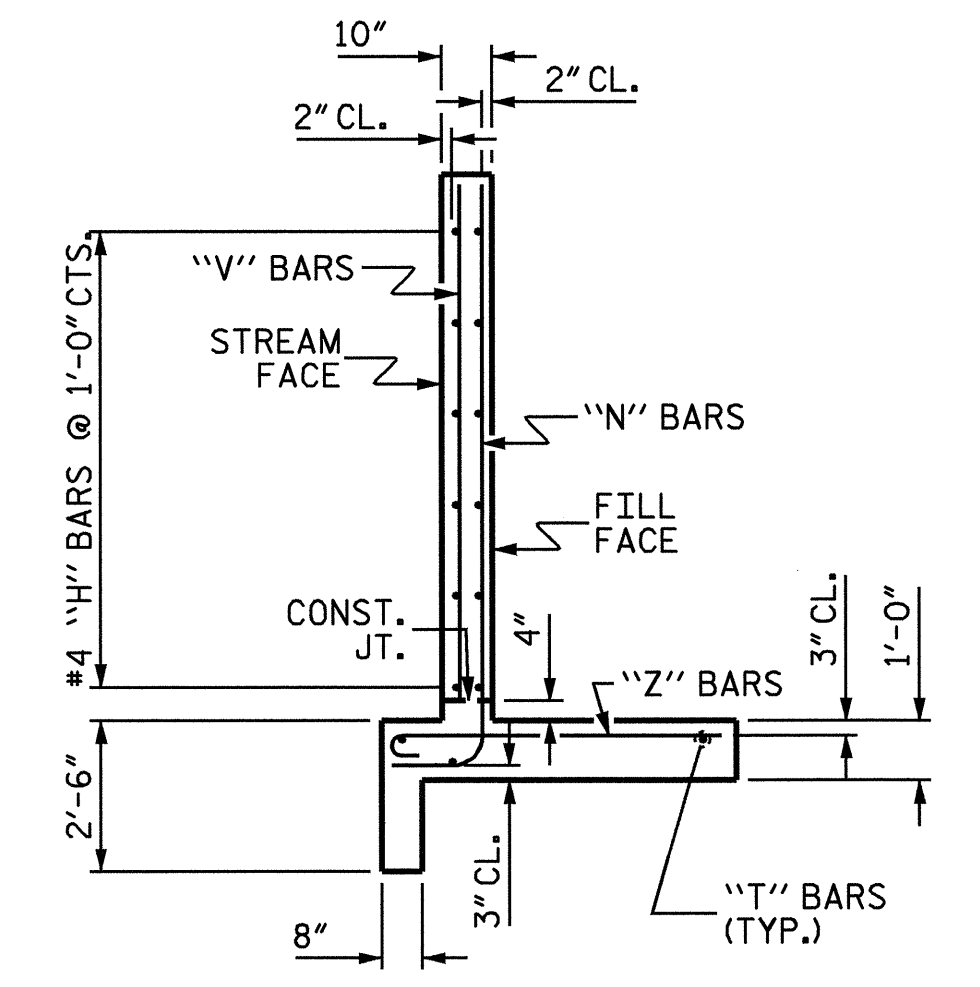


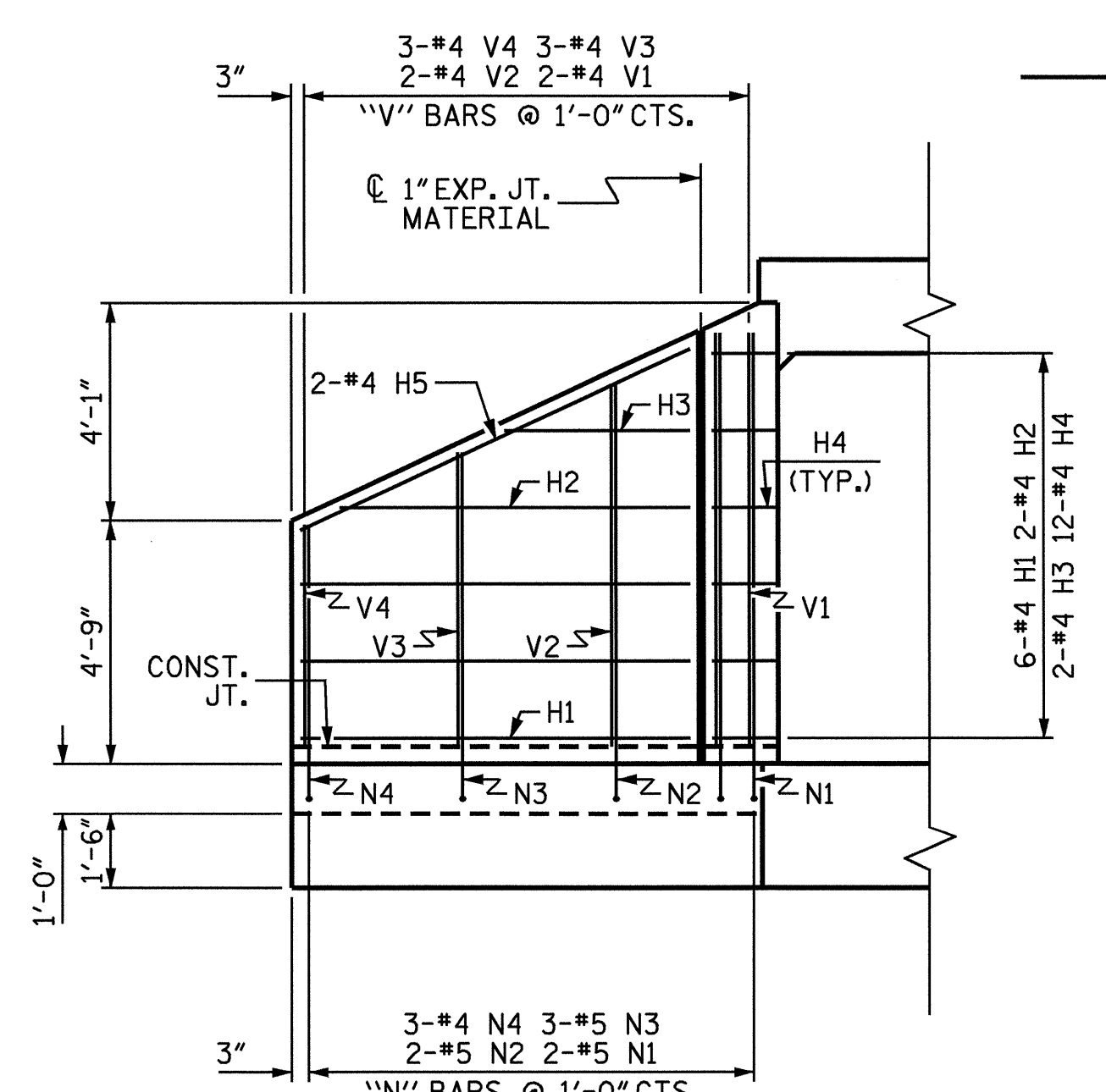
PLAN W2



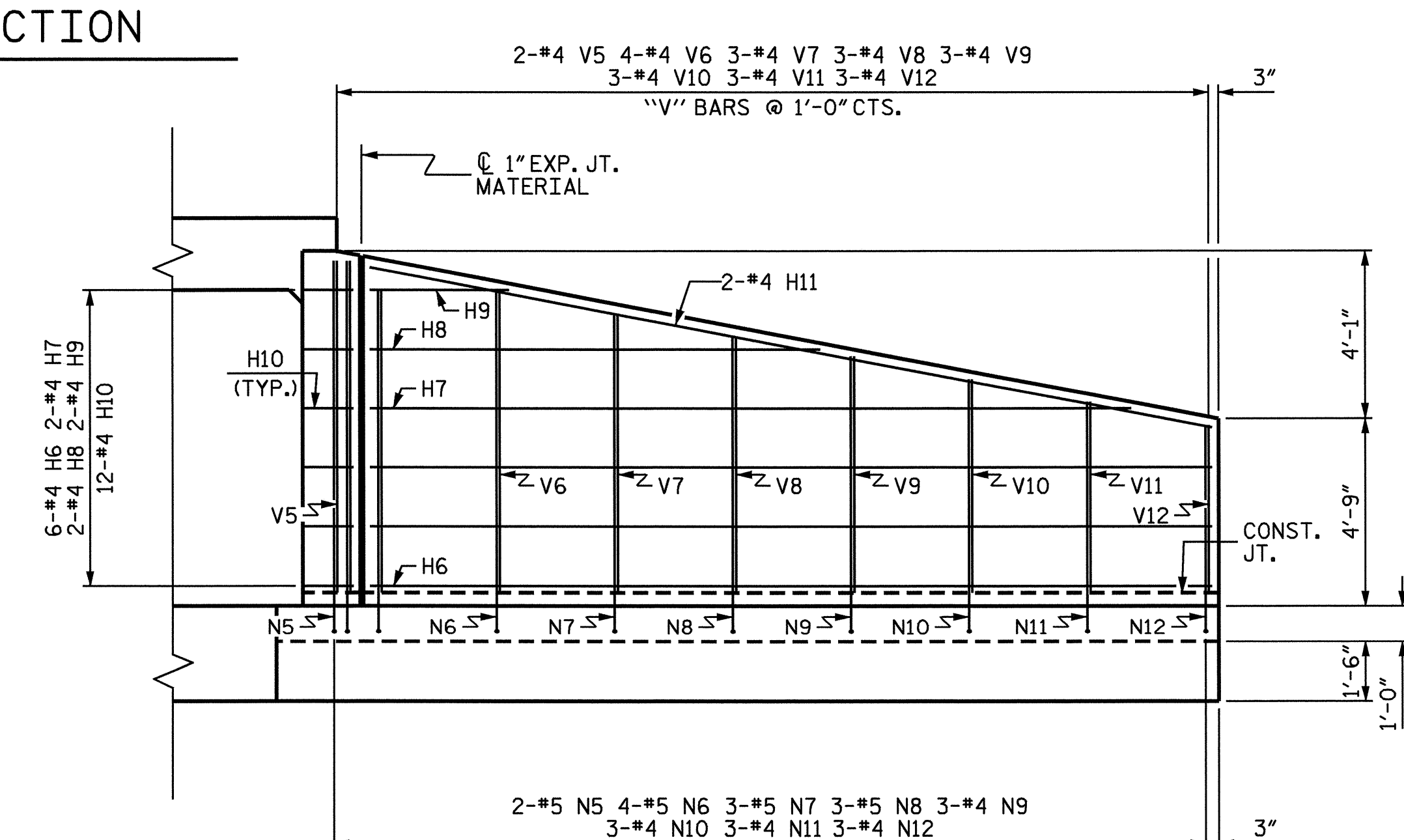
PLAN W1



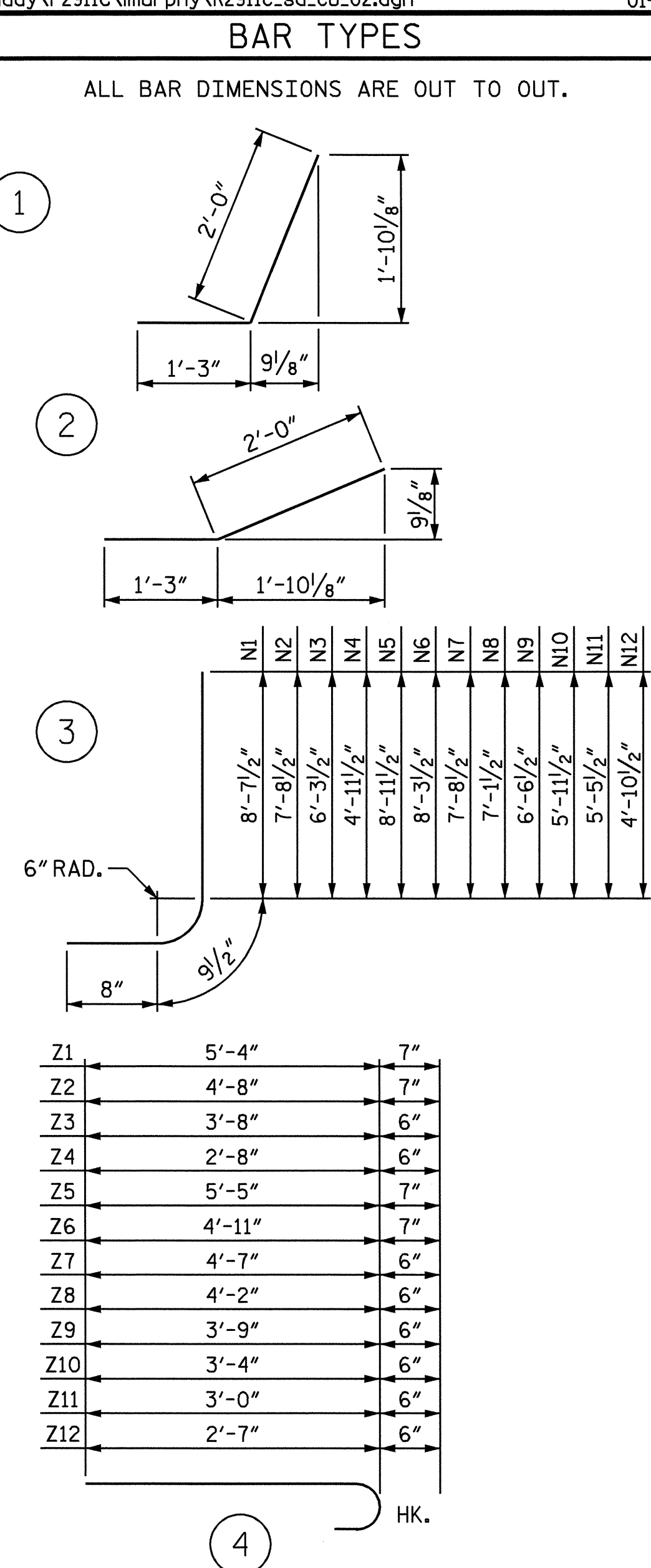
TYPICAL WING SECTION



ELEVATION W2



ELEVATION W1



NOTES

A 3 FOOT STRIP OF FILTER FABRIC SHALL BE ATTACHED TO THE FILL FACE OF THE WING COVERING THE ENTIRE LENGTH OF THE EXPANSION JOINT.
G1 BARS IN HEADWALL ARE INCLUDED WITH THE BARREL REINFORCING STEEL.

BILL OF MATERIAL					
BAR NO.	SIZE	TYPE	LENGTH	WEIGHT	
H1	6	#4	STR	7'-7"	30
H2	2	#4	STR	6'-10"	9
H3	2	#4	STR	3'-7"	5
H4	12	#4	1	3'-3"	26
H5	2	#4	STR	8'-5"	11
H6	6	#4	STR	21'-4"	86
H7	2	#4	STR	19'-4"	26
H8	2	#4	STR	11'-5"	15
H9	2	#4	STR	3'-6"	5
H10	12	#4	2	3'-3"	26
H11	2	#4	STR	21'-9"	29
N1	2	#5	3	10'-1"	21
N2	2	#5	3	9'-2"	19
N3	3	#5	3	7'-9"	24
N4	3	#4	3	6'-5"	13
N5	2	#5	3	10'-5"	22
N6	4	#5	3	9'-9"	41
N7	3	#5	3	9'-2"	29
N8	3	#5	3	8'-7"	27
N9	3	#4	3	8'-0"	16
N10	3	#4	3	7'-5"	15
N11	3	#4	3	6'-11"	14
N12	3	#4	3	6'-4"	13
S1	6	#6	STR	6'-0"	54
T1	2	#5	STR	9'-6"	20
T2	1	#5	STR	9'-3"	10
T3	2	#5	STR	23'-3"	48
T4	1	#5	STR	22'-7"	24
V1	2	#4	STR	8'-1"	11
V2	2	#4	STR	7'-1"	9
V3	3	#4	STR	5'-9"	12
V4	3	#4	STR	4'-4"	9
V5	2	#4	STR	8'-5"	11
V6	4	#4	STR	7'-8"	20
V7	3	#4	STR	7'-1"	14
V8	3	#4	STR	6'-6"	13
V9	3	#4	STR	6'-0"	12
V10	3	#4	STR	5'-5"	11
V11	3	#4	STR	4'-10"	10
V12	3	#4	STR	4'-3"	9
Z1	2	#5	4	5'-11"	12
Z2	2	#5	4	5'-3"	11
Z3	3	#4	4	4'-2"	8
Z4	3	#4	4	3'-2"	6
Z5	2	#5	4	6'-0"	13
Z6	4	#5	4	5'-6"	23
Z7	3	#4	4	5'-1"	10
Z8	3	#4	4	4'-8"	9
Z9	3	#4	4	4'-3"	9
Z10	3	#4	4	3'-10"	8
Z11	3	#4	4	3'-6"	7
Z12	3	#4	4	3'-1"	6
REINFORCING STEEL				941	LBS.
FOR 2 WINGS					
CLASS A CONCRETE					
2 WINGS				14.6	C.Y.
1 HEADWALLS				1.1	C.Y.
1 END CURTAIN WALLS				1.2	C.Y.
2 EDGE BEAMS				1.0	C.Y.
TOTAL				17.9	C.Y.

ASSEMBLED BY : L.L. MURPHY DATE : 08-04
 CHECKED BY : M.G. CHEEK DATE : 08-04
 DRAWN BY : CCJ 01/00
 CHECKED BY : RWW 03/00

PROJECT NO. R-2911C
ROWAN COUNTY
 STATION: 152+76.60-L2-
 SHEET 7 OF 7



STATE OF NORTH CAROLINA
 DEPARTMENT OF TRANSPORTATION
 RALEIGH
WINGS W1 & W2
 FOR
CONCRETE BOX CULVERT
 H = 8'-0" SLOPE = 2:1
 RIGHT EXTENSION

REVISIONS						SHEET NO.
NO.	BY:	DATE:	NO.	BY:	DATE:	C-14
1			3			TOTAL SHEETS 20
2			4			