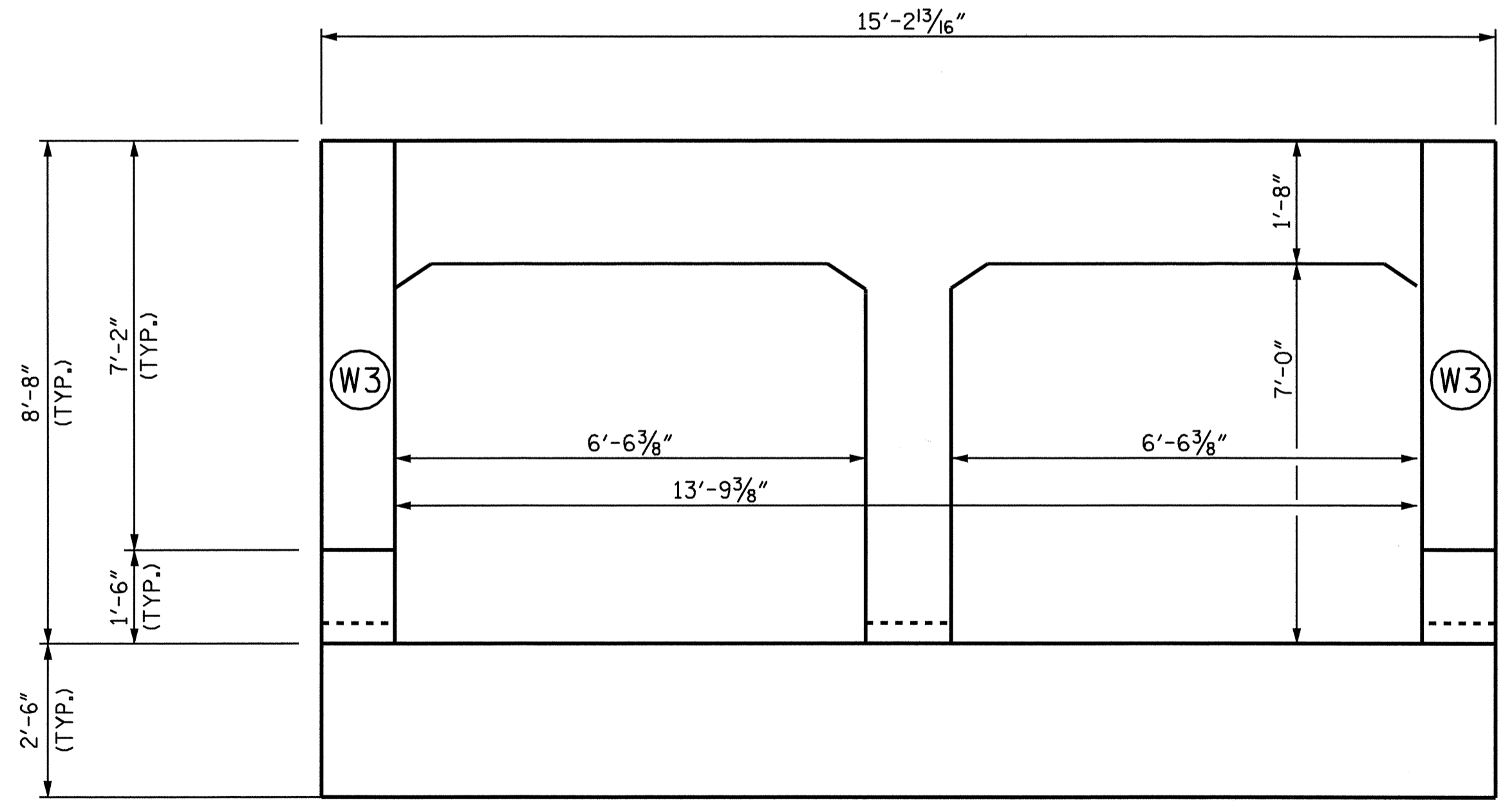
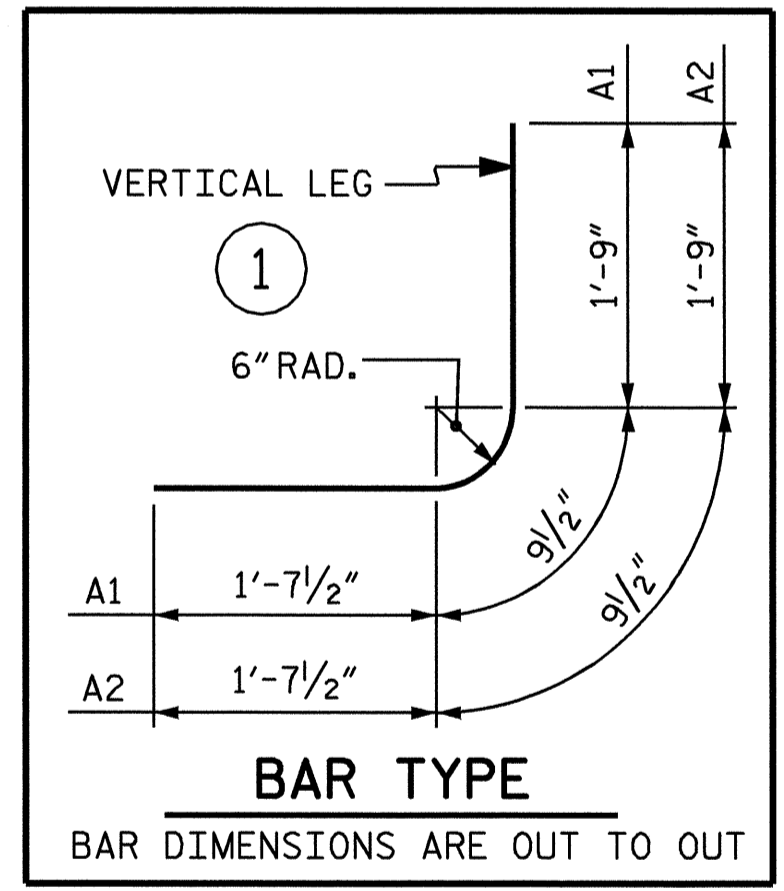


CULVERT SECTION THRU RIGHT EXTENSION NORMAL TO ROADWAY



OUTLET END ELEVATION NORMAL TO SKEW

RIGHT EXTENSION STRUCTURE QUANTITIES	
CLASS A CONCRETE	
BARREL @ 1.256 C.Y./FT.	107.8 C.Y.
WINGS, ETC.	10.5 C.Y.
TOTAL	118.3 C.Y.
REINFORCING STEEL	
BARREL	17618 LBS.
WINGS, ETC.	851 LBS.
TOTAL	18469 LBS.
FOUNDATION CONDITIONING MATERIAL	99 TONS
CULVERT EXCAVATION	LUMP SUM



SPLICE LENGTHS CHART		
BAR	SIZE	SPLICE LENGTH
A200	#4	1'-9"
A400	#5	1'-9"
B1	#4	1'-9"
B3	#4	1'-9"
C1	#4	1'-11"

BAR SCHEDULE						
RIGHT EXTENSION						
BAR	NO.	SIZE	TYPE	LENGTH	WEIGHT	
A1	320	#4	1	4'-2"	891	
A2	346	#4	1	4'-2"	963	
A100	121	#4	STR	13'-7"	1098	
A101	2	#4	STR	11'-0"	15	
A102	2	#4	STR	8'-7"	11	
A103	2	#4	STR	6'-2"	8	
A104	2	#4	STR	3'-9"	5	
A106	2	#4	STR	10'-2"	14	
A107	2	#4	STR	7'-0"	9	
A108	2	#4	STR	3'-11"	5	
A200	142	#4	STR	13'-7"	1288	
A201	2	#4	STR	11'-0"	15	
A202	2	#4	STR	8'-7"	11	
A203	2	#4	STR	6'-2"	8	
A204	2	#4	STR	3'-9"	5	
A206	2	#4	STR	10'-2"	14	
A207	2	#4	STR	7'-0"	9	
A208	2	#4	STR	3'-11"	5	
A300	149	#5	STR	13'-7"	2111	
A301	2	#5	STR	11'-5"	24	
A302	2	#5	STR	9'-6"	20	
A303	2	#5	STR	7'-7"	16	
A304	2	#5	STR	5'-7"	12	
A305	2	#5	STR	3'-8"	8	
A307	2	#5	STR	10'-9"	22	
A308	2	#5	STR	8'-3"	17	
A309	2	#5	STR	5'-8"	12	
A310	2	#5	STR	3'-1"	6	
A400	175	#5	STR	13'-7"	2479	
A401	2	#5	STR	11'-5"	24	
A402	2	#5	STR	9'-6"	20	
A403	2	#5	STR	7'-7"	16	
A404	2	#5	STR	5'-7"	12	
A405	2	#5	STR	3'-8"	8	
A407	2	#5	STR	10'-9"	22	
A408	2	#5	STR	8'-3"	17	
A409	2	#5	STR	5'-8"	12	
A410	2	#5	STR	3'-1"	6	
B1	261	#4	STR	8'-0"	1395	
B2	320	#4	STR	6'-4"	1354	
B3	261	#4	STR	8'-0"	1395	
C1	160	#4	STR	22'-11"	2449	
C2	68	#4	STR	26'-6"	1204	
D1	32	#6	STR	2'-6"	120	
G1	4	#5	STR	14'-10"	62	
S2	3	#8	STR	14'-10"	119	
S3	12	#6	STR	15'-8"	282	
REINFORCING STEEL					=	17618 LBS.

PROJECT NO. R-2911C
ROWAN COUNTY
 STATION: 193+55.70-L2-

STATE OF NORTH CAROLINA
 DEPARTMENT OF TRANSPORTATION
 RALEIGH
 DOUBLE 6 FT. X 7 FT.
 CONCRETE BOX CULVERT
 RIGHT EXTENSION
 60°-17'-00" SKEW



ASSEMBLED BY: L.L. MURPHY DATE: 06-04
 CHECKED BY: M.G. CHEEK DATE: 09-04

REVISIONS						SHEET NO.
NO.	BY:	DATE:	NO.	BY:	DATE:	C-18
1			3			TOTAL SHEETS
2			4			20