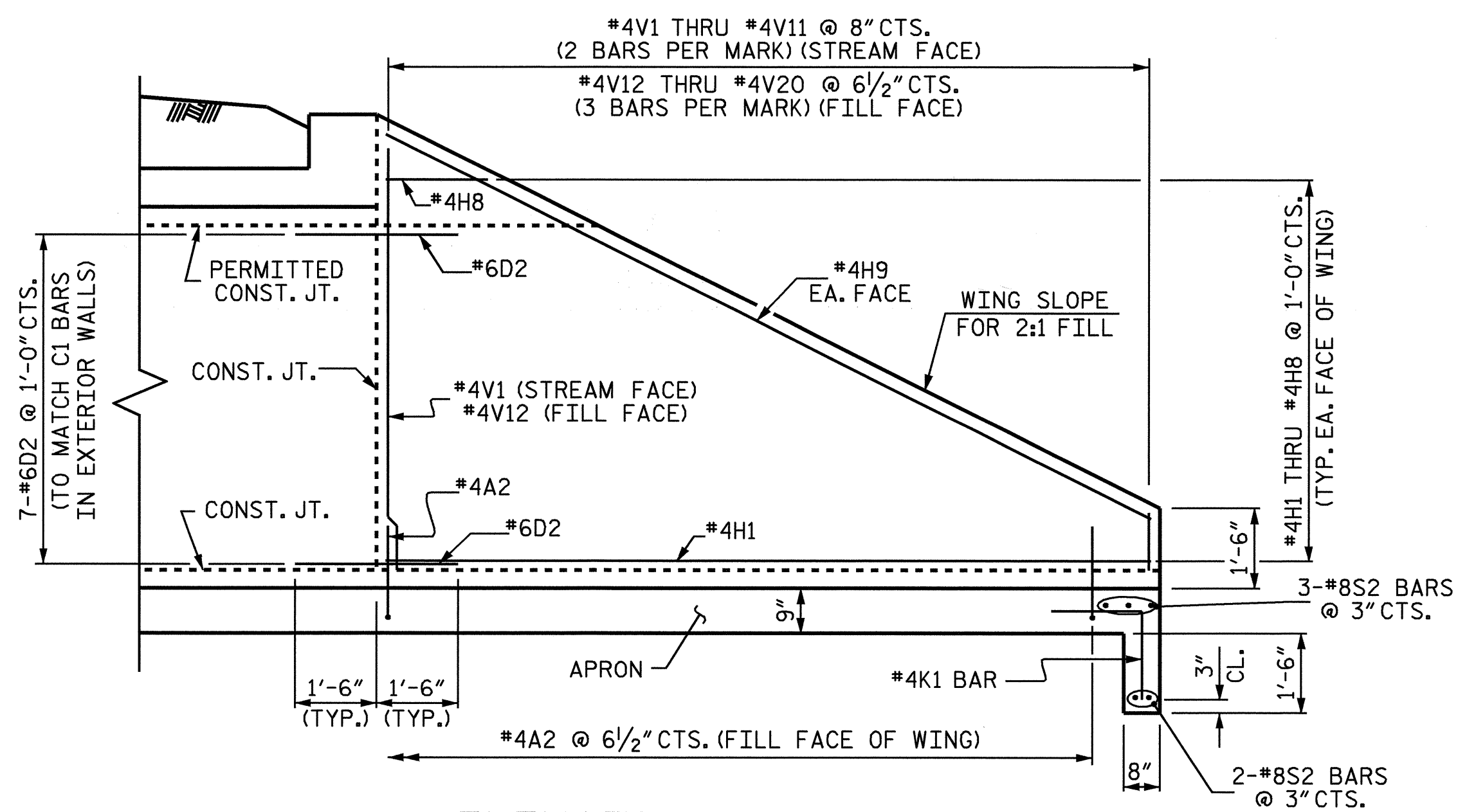
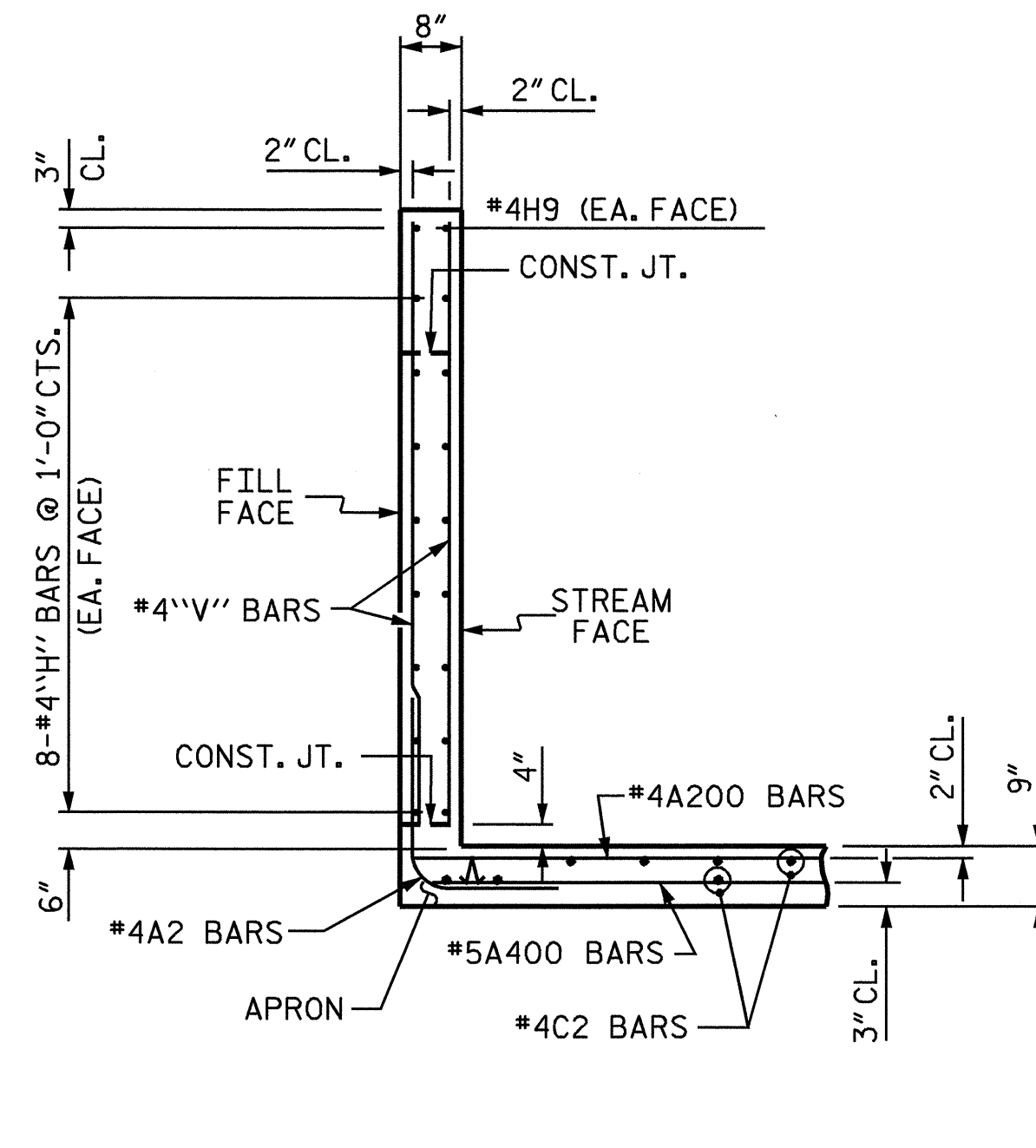


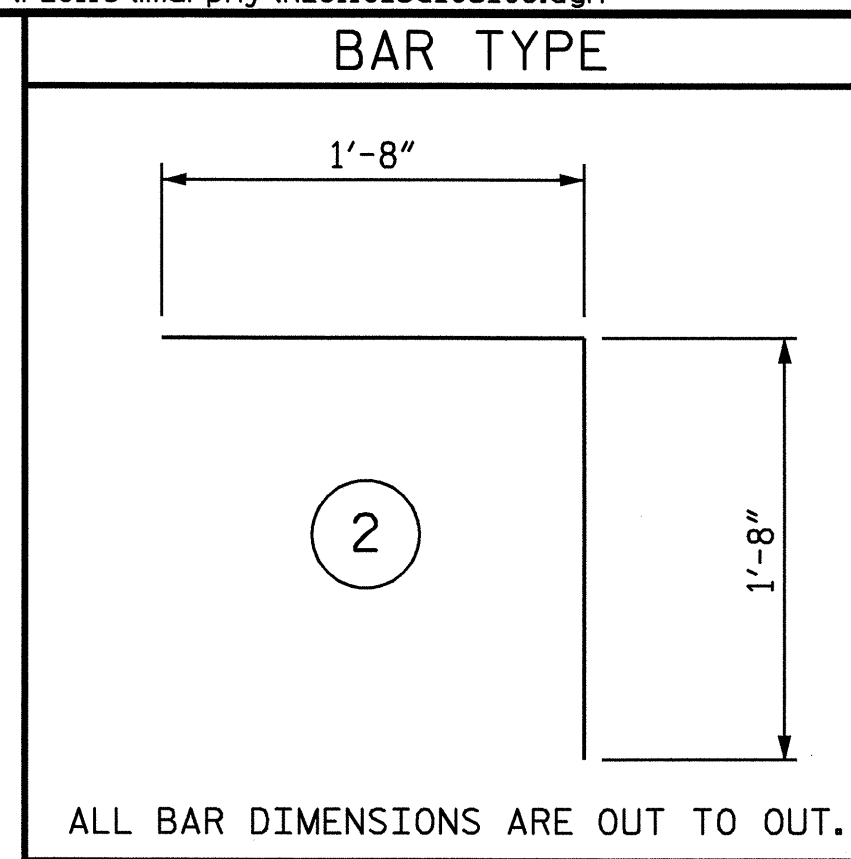
PLAN W3



ELEVATION W3



TYPICAL WING SECTION

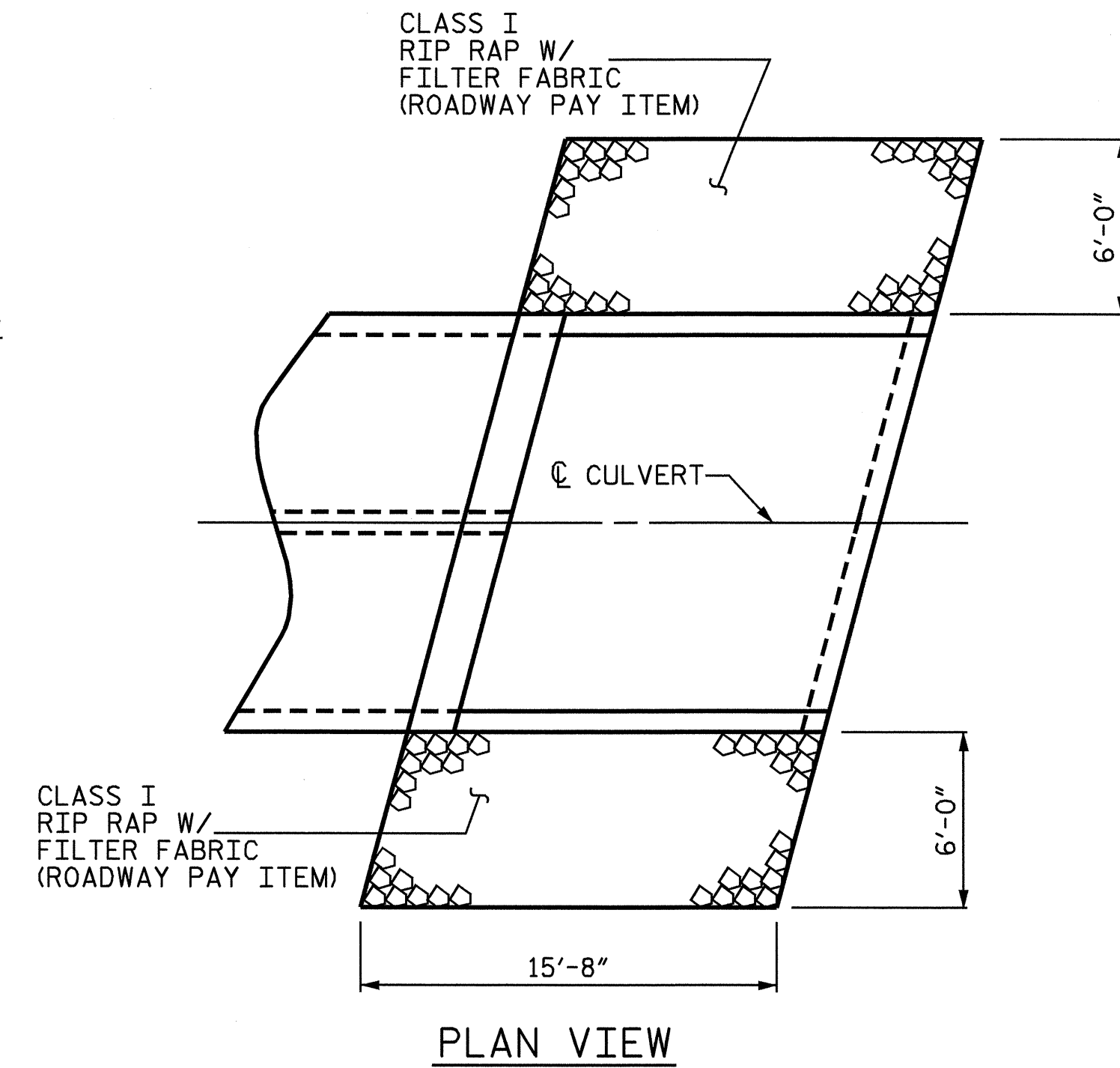


ALL BAR DIMENSIONS ARE OUT TO OUT.

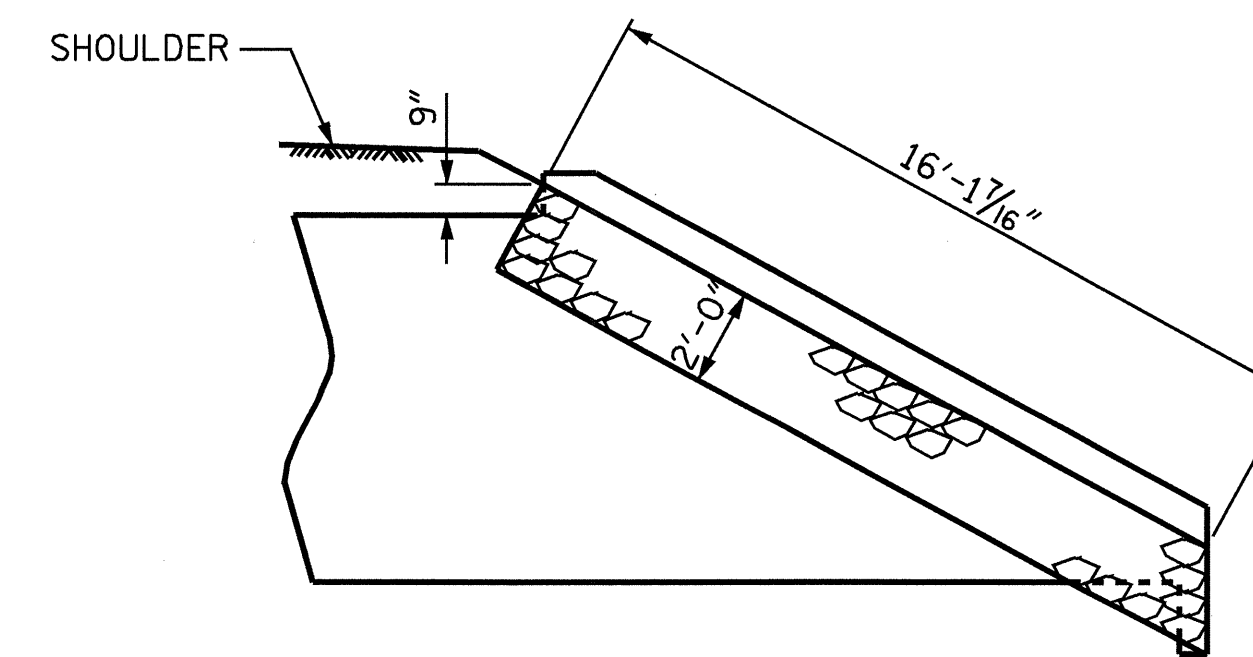
NOTES

A 3 FOOT STRIP OF FILTER FABRIC SHALL BE ATTACHED TO THE FILL FACE OF THE WING COVERING THE ENTIRE LENGTH OF THE EXPANSION JOINT.

G1 BARS IN HEADWALL ARE INCLUDED WITH BARREL REINFORCING STEEL.



PLAN VIEW



ELEVATION VIEW

OUTLET WING RIP RAP DETAILS

BAR TYPE		BILL OF MATERIAL				
BAR	NO.	SIZE	TYPE	LENGTH	WEIGHT	
D2	28	#6	STR	3'-0"	126	
H1	4	#4	STR	14'-1"	38	
H2	4	#4	STR	13'-10"	37	
H3	4	#4	STR	11'-10"	32	
H4	4	#4	STR	9'-10"	26	
H5	4	#4	STR	7'-10"	21	
H6	4	#4	STR	5'-10"	16	
H7	4	#4	STR	3'-10"	10	
H8	4	#4	STR	1'-10"	5	
H9	4	#4	STR	15'-9"	42	
K1	7	#4	2	3'-4"	16	
S2	5	#8	STR	14'-10"	198	
V1	4	#4	STR	7'-9"	21	
V2	4	#4	STR	7'-1"	19	
V3	4	#4	STR	6'-5"	17	
V4	4	#4	STR	5'-9"	15	
V5	4	#4	STR	5'-1"	14	
V6	4	#4	STR	4'-5"	12	
V7	4	#4	STR	3'-9"	10	
V8	4	#4	STR	3'-1"	8	
V9	4	#4	STR	2'-5"	6	
V10	4	#4	STR	1'-9"	5	
V11	4	#4	STR	1'-1"	3	
V12	6	#4	STR	7'-6"	30	
V13	6	#4	STR	6'-9"	27	
V14	6	#4	STR	5'-11"	24	
V15	6	#4	STR	5'-1"	20	
V16	6	#4	STR	4'-3"	17	
V17	6	#4	STR	3'-6"	14	
V18	6	#4	STR	2'-8"	11	
V19	6	#4	STR	1'-10"	7	
V20	6	#4	STR	1'-0"	4	

REINFORCING STEEL = 851 LBS.

CLASS A CONCRETE		
2 WINGS	3.6	C.Y.
FLOOR SLAB	5.6	C.Y.
CURTAINWALL	0.6	C.Y.
HEADWALL	0.7	C.Y.
TOTAL	10.5	C.Y.

PROJECT NO. R-2911C
 ROWAN COUNTY
 STATION: 193+55.70-L2-
 SHEET 6 OF 6

STATE OF NORTH CAROLINA
 DEPARTMENT OF TRANSPORTATION
 RALEIGH
 SPECIAL WING (W3)
 FOR
 CONCRETE BOX CULVERT
 SLOPE = 2:1



ASSEMBLED BY: L.L.MURPHY DATE: 06-04
 CHECKED BY: M.G.CHEEK DATE: 09-04

REVISIONS						SHEET NO.
NO.	BY:	DATE:	NO.	BY:	DATE:	C-20
1			3			TOTAL SHEETS
2			4			20