

STATE OF NORTH CAROLINA
DEPARTMENT OF TRANSPORTATION
RALEIGH, N.C.

PROPOSAL

DATE AND TIME OF BID OPENING: **DECEMBER 21, 2004 AT 2:00 PM**

CONTRACT ID C201341

WBS 37881, 37882, 37883, 37884, 37885, 37886, 37887, 37888, 37889, 37890, 37907,
9CR.10801.3, 9CR.20801.3, 9CR.308008.3, 9CR.308010.3, 9CR.308014.3, 9CR.308015.3

FEDERAL-AID NO. STATE FUNDED

COUNTY ROWAN

T.I.P. NO.

MILES ★ 43.408

ROUTE NO. US-601

LOCATION 5 SECTIONS OF US-601 & US-70, 2 SECTIONS OF NC-801, 1 SECTION OF NC-152 AND 32 SECTIONS OF SECONDARY ROADS.

TYPE OF WORK MILLING, RESURFACING, & PAVEMENT MARKINGS

NOTICE:

ALL BIDDERS SHALL COMPLY WITH ALL APPLICABLE LAWS REGULATING THE PRACTICE OF GENERAL CONTRACTING AS CONTAINED IN CHAPTER 87 OF THE GENERAL STATUTES OF NORTH CAROLINA WHICH REQUIRES THE BIDDER TO BE LICENSED BY THE N.C. LICENSING BOARD FOR CONTRACTORS WHEN BIDDING ON ANY NON-FEDERAL AID PROJECT WHERE THE BID IS \$30,000 OR MORE. EXCEPT FOR CERTAIN SPECIALTY WORK AS DETERMINED BY THE LICENSING BOARD. BIDDERS SHALL ALSO COMPLY WITH ALL OTHER APPLICABLE LAWS REGULATING THE PRACTICES OF ELECTRICAL, PLUMBING, HEATING AND AIR CONDITIONING AND REFRIGERATION CONTRACTING AS CONTAINED IN CHAPTER 87 OF THE GENERAL STATUTES OF NORTH CAROLINA.

BIDS WILL BE RECEIVED AS SHOWN BELOW:

THIS IS A ROADWAY PROPOSAL

5% BID BOND OR BID DEPOSIT REQUIRED

PROPOSAL FORM FOR THE CONSTRUCTION OF CONTRACT NO. C201341

IN ROWAN COUNTY NORTH CAROLINA

Date _____ 20__

DEPARTMENT OF TRANSPORTATION,
RALEIGH, NORTH CAROLINA

The Bidder has carefully examined the location of the proposed work to be known as Contract No. C201341; has carefully examined the plans and specifications, which are acknowledged to be part of the proposal, the special provisions, the proposal, the form of contract, and the forms of contract payment bond and contract performance bond; and thoroughly understands the stipulations, requirements and provisions. The undersigned bidder agrees to bound upon his execution of the bid and subsequent award to him by the Board of Transportation in accordance with this proposal to provide the necessary contract payment bond and contract performance bond within fourteen days after the written notice of award is received by him. The undersigned Bidder further agrees to provide all necessary machinery, tools, labor, and other means of construction; and to do all the work and to furnish all materials, except as otherwise noted, necessary to perform and complete the said contract in accordance with the 2002 Standard Specifications for Roads and Structures by the dates(s) specified in the Project Special Provisions and in accordance with the requirements of the Engineer, and at the unit or lump sum prices, as the case may be, for the various items given on the sheets contained herein.

The Bidder shall provide and furnish all the materials, machinery, implements, appliances and tools, and perform the work and required labor to construct and complete State Highway Contract No. C201341

In Rowan County, for the unit or lump sum prices, as the case may be, bid by the Bidder in his bid and according to the proposal, plans, and specifications prepared by said Department, which proposal, plans, and specifications show the details covering this project, and hereby become a part of this contract.

The published volume entitled "North Carolina Department of Transportation, Raleigh, Standard Specifications for Roads and Structures, January 2002 with all amendments and supplements thereto, is by reference incorporated into and made a part of this contract; that, except as herein modified, all the Construction and work included in this contract is to be done in accordance with the specifications contained in said volume, and amendments and supplements thereto, under the direction of the Engineer.

If the proposal is accepted and the award is made, the contract is valid only when signed either by the Contract Officer or such other Rowan as may be designated by the Secretary to sign for the Department of Transportation. The conditions and provisions herein cannot be changed except over the signature of the said Contract Officer.

The quantities shown in the itemized proposal for the project are considered to be approximate only and are given as the basis for comparison of bids. The Department of Transportation may increase or decrease the quantity of any item or portion of the work as may be deemed necessary or expedient.

An increase or decrease in the quantity of any item will not be regarded as sufficient ground for an increase or decrease in the unit prices, nor in the time allowed for the completion of the work, except as provided for the contract.

Accompanying this bid is a bid bond secured by a corporate surety, or certified check payable to the order of the Department of Transportation, for five percent of the total bid price, which deposit is to be forfeited as liquidated damages in case this bid is accepted and the Bidder shall fail to provide the required payment and performance bonds with the Department of Transportation, under the condition of this proposal, within 14 calendar days after the written notice of award is received by him, as provided in the Standard Specifications; otherwise said deposit will be returned to the Bidder.

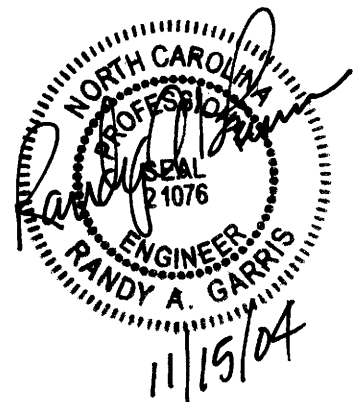


TABLE OF CONTENTS

| | PAGE NO. |
|---|----------|
| COVER SHEET | |
| PROPOSAL SHEETS | |
| PROJECT SPECIAL PROVISIONS (GREEN SHEETS) | |
| Contract Time and Liquidated Damages..... | 1 |
| Intermediate Contract Time (s)..... | 1-2 |
| Prosecution of Work..... | 2-3 |
| Safety Index Rating..... | 3 |
| Railroad Grade Crossing..... | 3 |
| Major Contract Items..... | 3 |
| Specialty Items..... | 4 |
| Posted Weight Limits..... | 4 |
| Schedule of Estimated Completion Progress..... | 4 |
| Electronic Bidding..... | 4-7 |
| Minority and Women Business..... | 7-16 |
| Fuel Price Adjustment..... | 16 |
| Prompt Payment..... | 16-17 |
| Partial Payments..... | 17 |
| Domestic Steel and Iron Products..... | 17-18 |
| Recycled Steel..... | 18 |
| Compensation and Record Keeping..... | 18 |
| Plant Pest Quarantines..... | 18-19 |
| Safety Vests..... | 19 |
| Director of Construction in Lieu of Chief Engineer..... | 19-20 |
| Contractor Borrow Source..... | 20-21 |
| Outsourcing Outside the USA..... | 21 |
| Disqualification of Bidders..... | 21 |
| Notes To Contractor..... | 22 |
| Roadway..... | 23-43 |
| Traffic Control..... | 44-54 |
| Sketch Map | |
| STANDARD SPECIAL PROVISIONS (YELLOW SHEETS) | |
| Availability of Funds..... | 1 |
| Seed Quality Requirements..... | 2-4 |
| Errata..... | 5-6 |
| Minimum Wages..... | 7 |
| PROPOSAL FORM ITEM SHEETS, ETC. | |
| Item Sheets | |
| Signature Sheet (Bid Acceptance by Department) | |

PROJECT SPECIAL PROVISIONS

General

7-1-95

RG01

CONTRACT TIME AND LIQUIDATED DAMAGES:

7-1-95

The date of availability for this contract is April 1, 2005.

The completion date for this contract is September 30, 2005.

The observation period for the thermoplastic pavement markings is not a part of the work to be completed by the completion date for this contract as stated above. Warrant the observation period by the payment and performance bond.

The liquidated damages for this contract are Eight Hundred Dollars (\$800.00) per calendar day.

RG06

**INTERMEDIATE CONTRACT TIME NUMBER 1
AND LIQUIDATED DAMAGES:**

09-16-03

The Contractor shall complete the required work of installing, maintaining, and removing the traffic control devices for lane closures and restoring traffic to the existing traffic pattern. The Contractor shall not close or narrow a lane of traffic on **US 601/70 Northbound & Southbound (Jake Alexander Blvd., Map #14)** during the following time restrictions:

DAY AND TIME RESTRICTIONS

MONDAY THRU FRIDAY 6:30 A.M. TO 9:30 A.M.

MONDAY THRU FRIDAY 3:30 P.M. TO 6:30 P.M.

In addition, the Contractor shall not close or narrow a lane of traffic on **US 601/70 Northbound & Southbound (Jake Alexander Boulevard, Map #14)**, detain and/or alter the traffic flow on or during holidays, holiday weekends, special events, or any other time when traffic is unusually heavy, including the following schedules:

HOLIDAY AND HOLIDAY WEEKEND LANE CLOSURE RESTRICTIONS:

1. For **any event** that creates unusually high traffic volumes, as directed by the Engineer.
2. For **New Year's Day**, between the hours of 3:30 p.m. December 31st and 9:30 a.m. January 2nd. If New Year's Day is on Saturday or Sunday, then until 9:30 a.m. the following Tuesday.
3. For **Easter**, between the hours of 3:30 p.m. Thursday and 9:30 a.m. Monday.
4. For **Memorial Day**, between the hours of 3:30 p.m. Friday and 9:30 a.m. Tuesday.

- 5. For **Independence Day**, between the hours of 3:30 p.m. the day before Independence Day and 9:30 a.m. the day after Independence Day.

If Independence Day is on a Saturday or Sunday, then between the hours of 3:30 p.m. the Thursday before Independence Day and 9:30 a.m. the Tuesday after Independence Day.

- 6. For **Labor Day**, between the hours of 3:30 p.m. Friday and 9:30 a.m. Tuesday.
- 7. For **Thanksgiving Day**, between the hours of 3:30 p.m. Tuesday and 9:30 a.m. Monday.
- 8. For **Christmas**, between the hours of 3:30 p.m. the Friday **before the week of Christmas Day** and 9:30 a.m. the following Monday **after the week of Christmas Day**.

Holidays and holiday weekends shall include New Years, Easter, Memorial Day, Independence Day, Labor Day, Thanksgiving, and Christmas. The Contractor shall schedule his work so that lane closures are not required during these periods, unless otherwise directed by the Engineer.

The time of availability for this intermediate contract work shall be the time the Contractor begins to install all traffic control devices for lane closures according to the time restrictions listed above.

The intermediate completion time for this intermediate contract work shall be the time the Contractor is required to complete the removal of all traffic control devices for lane closures according to the time restrictions stated above and place traffic in the existing traffic pattern.

The liquidated damages are **Eight Hundred Dollars (\$800.00)** per hour.

RG07

INTERMEDIATE CONTRACT TIME NUMBER 2 AND LIQUIDATED DAMAGES:

The Contractor shall complete all work on Maps 13 and 15.

The date of availability for this intermediate contract time is June 1, 2005.

The completion date for this intermediate contract time is August 1, 2005.

The liquidated damages for this intermediate contract time are One Thousand Dollars (\$1,000.00) per calendar day.

INTERMEDIATE CONTRACT TIME NUMBER 3 AND LIQUIDATED DAMAGES:

Complete maps 17 thru 27 from July 1, 2005 to September 30, 2005.

The liquidated damages for this contract time are One Thousand Dollars (\$1,000.00) per calendar day.

PROSECUTION OF WORK:

7-1-95

The Contractor will be required to prosecute the work in a continuous and uninterrupted manner from the time he begins the work until completion and final acceptance of the project. The Contractor will not be permitted to suspend his operations except for reasons beyond his control or except where the Engineer has authorized a suspension of the Contractor's operations in writing.

In the event that the Contractor's operations are suspended in violation of the above provisions, the sum of \$800.00 will be charged the Contractor for each and every calendar day that such suspension takes place. The said amount is hereby agreed upon as liquidated damages due to extra engineering and maintenance costs and due to increased public hazard resulting from a suspension of the work. Liquidated damages chargeable due to suspension of the work will be additional to any liquidated damages that may become chargeable due to failure to complete the work on time.

RG09

SAFETY INDEX RATING:**6-18-02**

Revise the 2002 Standard Specifications as follows:

Page 1-10, Article 102-2

Before the last paragraph on this page, add the following paragraph:

"All subcontractors performing work for the Department shall have received a passing grade on the Safety Index Rating form, in accordance with Article 102-2, prior to beginning work. Subcontractors can request the Safety Index Rating form from the State Contractual Services Engineer."

RG11

RAILROAD GRADE CROSSING:**7-1-95**

The Contractor's attention is directed to the fact that should the use of slow moving or stopped equipment be required at railroad grade crossings, notify the railroad's local representative of their anticipated time of work at the grade crossing at least 48 hours prior to performing work in that grade crossing location.

RG12

MAJOR CONTRACT ITEMS:**2-19-02_c**

The following listed items are the major contract items for this contract (See Articles 101-54 and 104-5 of the Standard Specifications):

| <u>Item #</u> | <u>Description</u> |
|---------------|---|
| 6 | Asphalt Concrete Surface Course, Type S9.5B |
| 7 | Asphalt Concrete Surface Course, Type S9.5C |

RG15



SPECIALTY ITEMS:

7-1-95C

Items listed below will be the specialty items for this contract (See Article 108-6 of the Standard Specifications).

| <u>Line #</u> | <u>Description</u> | |
|------------------|---|------|
| 14 thru 21 26 | Thermoplastic Pavement Markings Permanent Pavement Markers | RG18 |

POSTED WEIGHT LIMITS:

7-1-95

The Contractor's attention is directed to the fact that many Primary and Secondary Roads and bridges are posted with weight limits less than the legal limit. Do not exceed the posted weight limits in transporting materials and/or equipment to the projects, unless otherwise indicated below. Make a thorough examination of all projects and haul routes and be prepared to discuss them at the Preconstruction Conference.

RG24

SCHEDULE OF ESTIMATED COMPLETION PROGRESS:

07-20-04

The Contractor's attention is directed to the Standard Special Provision entitled "Availability Of Funds Termination Of Contracts" included elsewhere in this proposal. The Department of Transportation's schedule of estimated completion progress for this project as required by that Standard Special Provision is as follows:

| <u>Fiscal Year</u> | <u>Progress (Dollar Value)</u> |
|----------------------------|--------------------------------|
| 2005 (07/01/04 – 06/30/05) | 64% of Total Amount Bid |
| 2006 (07/01/05 – 06/30/06) | 36% of Total Amount Bid |

The Contractor shall also furnish his own progress schedule in accordance with Article 108-2 of the Standard Specifications. Any acceleration of the progress as shown by the Contractor's progress schedule over the progress as shown above shall be subject to the approval of the Engineer.

RG33

ELECTRONIC BIDDING:

03-16-04R

Page 1-2, Article 101-11

Delete this article and replace with the following:

Bid (Or Proposal): The electronic offer of a Bidder via Bid Express™ to the Department to perform the work and to furnish the labor and materials at the prices quoted.

Page 1-3, Article 101-20, **Contract**

Add after the second paragraph of this article.

All references to contracts shall include electronic agreements and printed paper agreements. These may include but not be limited to the electronic bid bond, non-collusion statement, debarment certification, and award limits.

Page 1-6, Article 101-64 **Proposal Form**

Delete this article and replace with the following:

Proposal or Proposal Form: The electronic or paper form provided by the Department that the Bidder uses to develop his electronic offer to perform the work at designated bid prices.

Page 1-14, Article 102-9

Delete Article 102-9 in its entirety and replace with the following:

102-9 ELECTRONIC BIDDING.

The Bidder shall submit bids electronically using the following guidelines:

1. The prequalified Bidder shall have a fully executed *Non-Collusion Affidavit and Debarment Certification* on file in the Contract Office prior to submitting his bid. If the Bidder cannot provide the debarment certification required, he shall provide an explanation as shown in the certification. The explanation will not necessarily result in denial of participation in a contract. Non-collusion and debarment certification forms shall be downloaded at <http://www.NCDOT.org/business>. Forms shall be executed in accordance with Section 102-8. The affidavit and certification shall be received in the Contract Office by 5 p.m. the last business day before the bid letting. The Contract Office address is shown at the end of this provision.

If the prequalified Bidder's *status* changes, he shall immediately submit a new fully executed non-collusion affidavit and debarment certification with an explanation of the change.

Failure to have a fully executed non-collusion affidavit and debarment certification on file in the Contract Office prior to placing bids will cause those bids to be non-responsive.

2. Obtain on-line bidding information from Bid ExpressTM at www.bidx.com (Note: Obtain an account and valid Digital Signature from Bid ExpressTM in order to bid electronically).
3. An electronic corporate surety bid bond for at least 5% of the total amount bid shall accompany each electronic bid, or the Contractor may submit a certified check or cashier's check in lieu of an electronic bid bond. The certified check or cashier's check shall be for at least 5% of the total amount bid and shall be received by 5 p.m. the last business day before the bid letting and shall be delivered to the address shown at the end of this provision.

Contact either or both of the following bond management companies in order to acquire the necessary service to submit an electronic bid bond.

- a. Surety 2000 (www.surety2000.com)
 - b. Surepath (www.insurevision.com)
4. Debarment Certification – The Bidder shall provide a debarment certification in the electronic bid submittal. If a Bidder cannot provide the debarment certification required, he shall provide an explanation in the Bid Express™ miscellaneous folder within the .ebs file. The explanation will not necessarily result in denial of participation in a contract. Failure to furnish a certification or an explanation will be grounds for rejection of a bid.
 5. Zero (0) is considered a valid bid. Do Not enter zero (0) in any unit price field unless zero (0) is the intended bid for that item.
 6. Include all addenda in the submitted electronic bid. Bid Express™ will not accept a bid which does not contain all addenda. Section 103-2 (Correction of Bid Errors) will not apply to On-Line Electronic Bidding. All addenda and attachments will be considered part of the bid.
 7. The electronic bid may be changed and resubmitted as many times as desired prior to the advertised bid opening time specified in the Invitation to Bid. The latest time stamped electronically submitted bid prior to the advertised bid opening time will constitute the Bid.
 8. The provisions of Section 102-8 will apply to the preparation of bids except that the bid shall be submitted via Bid Express™ On-Line Bid Submission.
 9. All bids shall be submitted with an electronically affixed digital signature. For the purpose of this provision, affixing a digital ID to the bid shall be the equivalent of signing before a notary public and placing in force the non-collusion affidavit and debarment certification on file with the Department.
 10. By submitting an electronic bid, the Bidder certifies that he has read, understands, accepts, acknowledges and agrees to comply with all statements, conditions and Specifications in the electronic bid submittal.
 11. Bids will be decrypted, opened, printed to paper and read publicly at the time and place specified in the invitation to bid.
 12. The successful Bidder if award be made shall submit a fully executed *Execution of Contract, Non-Collusion Affidavit and Debarment Certification* signature sheet, and payment and performance bonds within 14 calendar days of receipt of award letter.
 13. The Department will not be responsible if a Bidder cannot submit his bid to Bid Express™ and claims will not be accepted for this. In the event of technical difficulties, the Department reserves the right to postpone the reading of bids for up to 4 hours past the advertised bid opening time.

14. The pre-bid *Non-Collusion Affidavit, Debarment Certification signature sheet, Execution of Contract, Non-Collusion Affidavit, Debarment Certification signature sheet*, certified check or cashier’s check in lieu of electronic bid bond, payment and performance bonds shall be delivered to the Contract Office at the address shown herein:

Physical Address

State Contract Officer
Project Services Unit
Century Center Bldg. B
1020 Birch Ridge Drive
Raleigh, NC 27610

Mailing Address:

State Contract Officer
NC Department of Transportation
Contracts and Proposals
1591 Mail Service Center
Raleigh, NC 27699-1591

RG34
7-17-01R

MINORITY AND WOMEN BUSINESS:

POLICY

It is the policy of the North Carolina Department of Transportation that minority and women businesses shall have the maximum opportunity to participate in the performance of contracts financed by Non-Federal Funds.

The Contractor is also encouraged to give every opportunity to allow MB/WB participation in Supplemental Agreements.

OBLIGATION

The Contractor and any subsequent Subcontractor shall ensure that minority and women businesses have the maximum opportunity to participate in the performance of the work included in this contract. The Contractor and any subsequent Subcontractor shall take all necessary and reasonable steps to ensure that minority and women businesses have the maximum opportunity to compete for and perform a portion of the work included in this contract and shall not discriminate on the basis of race, color, national origin or sex. Failure on the part of the Contractor to carry out the requirements set forth herein shall constitute a breach of contract and after proper notification, may result in award disqualification, termination of the contract, disqualification from bidding, or other appropriate remedy.

GOALS

Pursuant to the requirements of North Carolina General Statute 136-28.4, the following goals for participation are established for this contract:

Minority Business Enterprises 3%
Women Business Enterprises 7%

The Contractor shall exercise all necessary and reasonable steps to ensure that Minority Businesses (MB) and Women Businesses (WB) participate in at least the percents of the contract as set forth above as goals for this contract.

LISTING OF MB AND WB SUBCONTRACTORS

All bidders, at the time the bid proposal is submitted, must also submit a listing of MB and WB participation on the appropriate form (or facsimile thereof) contained elsewhere in this proposal in order for the bid to be considered responsive. Bidders must indicate the total dollar value of MB and WB participation of the contract. In the event the bidder has no MB and WB participation, he is still required to indicate this on the forms by entering the word or number zero. Blank forms will not be deemed to represent zero participation. BIDS SUBMITTED WHICH DO NOT HAVE MB AND WB PARTICIPATION INDICATED ON THE APPROPRIATE FORM WILL NOT BE READ PUBLICLY DURING THE OPENING OF BIDS. These bids will not be considered for award by the Department and they will be returned to the bidder. Bidders have the option of submitting their MB and WB participation in an abbreviated format as required in Paragraph A below, or the bidders may submit their MB and WB participation in the additional detail required by Paragraph B below. In the event the bidder elects to submit MB and WB participation in accordance with Paragraph A and is determined to be the apparent lowest responsive bidder, that bidder must deliver to the Department no later than 12:00 noon of the sixth day following the opening of bids, a detailed MB and WB submittal as required by Paragraph B below.

Only those MB and WB firms with current certification by the Department will be considered acceptable for listing in the bidders submittal of MB and WB participation.

- A. The contractor shall indicate on the form for listing of MB and WB Subcontractors the following required information:

REQUIRED INFORMATION

- (1) The names of MB and WB firms committed to participate in the contract;
- (2) The Contract Item Numbers of work to be performed by each MB and WB firm; and
- (3) The total dollar amount to be paid to each MB and WB based on agreed upon unit prices.

Failure to indicate the required information on the specified form will cause the bid to be considered nonresponsive and it may be rejected.

- B. In lieu of submitting the information required by (A) above, the bidder may submit the detailed information required below along with the bid proposal form.

REQUIRED INFORMATION

- (1) The names of MB and WB firms committed to participate in the contract;
- (2) The Contract Item Numbers and Contract Item Descriptions and agreed upon unit prices of work to be performed by each MB and WB firm; and

- (3) The total dollar amount to be paid to each MB and WB based on agreed upon unit prices.

Failure to indicate the required information on the specified form will cause the bid to be considered nonresponsive and it may be rejected.

The Department will not allow any substitutions, deletions, or other alterations to the listing of firms committed for MB and WB participation and/or the respective listed contract item numbers after opening of bids. The Department will not allow adjustments to total dollar amount of MB and/or WB participation after the opening of bids which would result in the MB and/or WB participation being less than the contract goal. The only exceptions to the requirements of this paragraph will be: (1) to allow for replacement of a MB or WB firm that had been decertified after opening of bids, and (2) to allow alteration of the listed contract item numbers subject to the Bidder submitting sufficient documentation to verify an obvious error in the initial submittal.

- C. If the bid of the lowest responsive bidder exceeds \$500,000 and if the MB and/or WB participation submitted in response to Paragraph B exceeds the algebraic sum of the MB and WB goals by \$1000 or more, the excess will be placed on deposit by the Department for future use by the bidder. Separate accounts will be maintained for MB and WB participation and these may accumulate for a period not to exceed 24 months.

If the MB and WB participation submitted in response to Paragraph A/B does not meet or exceed the MB and WB contract goals, the apparent lowest responsive bidder must submit information to satisfy the North Carolina Department of Transportation that sufficient reasonable efforts have been made to meet the contract goals. One complete set and nine (9) copies of this information must be received in the office of the State Contractual Services Engineer no later than 12:00 noon of the sixth day following opening of bids. Where the information submitted includes repetitious solicitation letters it will be acceptable to submit a sample representative letter along with a distribution list of the firms being solicited. Documentation of MB and WB quotations shall be a part of the good faith effort submittal as necessary to demonstrate compliance with the factors listed below which the Department considers in judging good faith efforts. This documentation may include written subcontractor quotations, telephone log notations of verbal quotations, or other types of quotation documentation.

Where the bidder fails to provide this information by the deadline, the Department may impose the following sanctions: (1) disqualify the contractor and any affiliated companies from further bidding for a period of time of no more than 90 days from the date of disqualification as established in notification by certified mail; and (2) disqualify the Contractor and any affiliated companies for award of all contracts for which bids have been received and opened.

The following factors are what the Department will consider in judging whether or not the bidder has made adequate good faith effort:

- (1) Whether the bidder attended any pre-bid meetings that were scheduled by the Department to inform MBs and WBs of subcontracting opportunities;
- (2) Whether the bidder provided written notice to a reasonable number of specific MBs and WBs that their interest in the contract is being solicited and whether the firms solicited could have reasonably been expected to quote the work in the contract;
- (3) Whether the bidder followed up on initial solicitations of interests by contacting MBs and WBs to determine with certainty whether they were interested;
- (4) Whether the bidder selected portions of the work to be performed by MBs and WBs in order to increase the likelihood of meeting the contract goals;
- (5) Whether the bidder provided interested MBs and WBs with adequate information about the plans, specifications and requirements of the contract;
- (6) Whether the bidder negotiated in good faith with interested MBs and WBs not rejecting them as unqualified without sound reasons based on a thorough investigation of their capabilities;
- (7) Whether quotations were received from interested MB and WB firms but rejected as unacceptable without sound reasons why the quotations were considered unacceptable;
- (8) Whether the bidder made efforts to assist interested MBs and WBs in obtaining any required insurance or bonding that may be required by the bid proposal or by the bidder;
- (9) Whether the bidder specifically negotiated with Subcontractors to assume part of the responsibility to meet the contract MB and WB goal when the work to be sublet includes potential for MB and WB participation.

In the event one bidder is the apparent low bidder on two non-federally funded projects within the same letting located in the same geographic area of the state, as a part of the good faith effort the Department will consider allowing the bidder to combine the MB participation on the two projects so long as the overall MB goal value of both projects is achieved.

In the event one bidder is the apparent low bidder on two non-federally funded projects within the same letting located in the same geographic area of the state, as a part of the good faith effort the Department will consider allowing the bidder to combine the WB participation on the two projects so long as the overall WB goal value of both projects is achieved.

Where the apparent lowest responsive bidder fails to submit sufficient participation by MB firms to meet the contract goal, as part of the good faith effort the Department will consider allowing the bidder to withdraw funds to meet the MB goal so long as there are adequate funds available from the bidders MB bank account.

Where the apparent lowest responsive bidder fails to submit sufficient participation by WB firms to meet the contract goal, as part of the good faith effort the Department will consider allowing the bidder to withdraw funds to meet the WB goal so long as there are adequate funds available from the bidders WB bank account.

Where the apparent lowest responsive bidder fails to submit sufficient participation by MB and WB firms to meet the contract goal and upon a determination by the Goal Compliance Committee based upon the information submitted that the apparent lowest responsive bidder failed to make sufficient reasonable efforts to meet the contract goal, the Department may reject the bid.

In the event that the Department does not award the contract to the apparent lowest responsive bidder, the Department reserves the right to award the contract to the next lowest responsive bidder that can satisfy the Department that the contract goal can be met or that adequate good faith efforts have been made to meet the goal.

DIRECTORY OF CERTIFIED BUSINESSES

Included with this Proposal Form is a list of Businesses which have been certified by the North Carolina Department of Transportation. Only those MB firms with current certification may be used to meet the contract MB goal. Only those firms with current certification may be used to meet the contract WB goal.

The listing of an individual firm certified by the Department shall not be construed as an endorsement of the firms capability to perform certain work.

REPLACEMENT OF MBs AND WBs

(A) Performance Related

If any MB or WB Subcontractor indicated on the form for listing of MB and WB Subcontractors, contained elsewhere in this proposal form, does not perform satisfactorily to the extent indicated or anticipated, the Contractor shall take all necessary, reasonable steps to replace the MB Subcontractor with another MB Subcontractor and/or the Contractor shall take all necessary, reasonable steps to replace the WB Subcontractor with another WB Subcontractor.

Any substitution of MB or WB firms after award of the contract shall be approved by the Department. The Contractor shall submit any requests for substitutions through the Resident Engineer and the request must provide a valid basis or reason for the proposed substitution.

To demonstrate necessary, reasonable efforts, the Contractor shall document the steps he has taken to replace any MB or WB Subcontractor that is unable to perform successfully with another MB or WB Subcontractor. Such documentation shall include but not be limited to the following:

- (a) Copies of written notification to MBs/WBs that their interest is solicited in subcontracting the work defaulted by the previous MB or WB Subcontractor or in subcontracting other items of work in the contract.
- (b) Efforts to negotiate with MBs and WBs for specific subbids including at a minimum:
 - (1) The names, addresses, and telephone numbers of MBs and WBs that were contacted;
 - (2) A description of the information provided to MBs and WBs regarding the plans and specifications for portions of the work to be performed; and
 - (3) A statement of why additional agreements with MBs and WBs were not reached.
- (c) For each MB or WB contacted but rejected as unqualified, the reasons for the Contractor's conclusion.
- (d) Efforts made to assist the MBs and WBs contacted, if needed, in obtaining bonding or insurance required by the Contractor.

Failure of the Contractor to demonstrate reasonable efforts to replace a MB or WB firm that does not perform as intended or anticipated, shall be just cause to disqualify the Contractor from further bidding for a period of up to 6 months after notification by certified mail.

(B) Decertification

1. If the Department has approved a Request for Subcontract for a particular MB or WB Subcontractor and that MB or WB Subcontractor is subsequently decertified by the Department; then the Department will not require the Prime Contractor to solicit replacement MB or WB participation equal to the remaining work to be performed by the decertified firm.
2. If a Prime Contractor has listed a MB or WB firm in his low bid submittal and the MB or WB firm is decertified prior to the Department approving a Request for Subcontract for the named MB or WB firm, the Prime Contractor may be required to make a good faith effort to:
 - (a) Replace the decertified firm with a certified firm, or
 - (b) To obtain replacement MB or WB participation in other areas of work.

DEFINITIONS

For purposes of this provision, the following definition will apply:

Minority Business or MB means a small business concern, which is owned and controlled by one or more minorities. Except that such term shall not include any concern or group of concerns controlled by the same minority or minorities which has average annual gross receipts over the preceding 3 fiscal years in excess of \$14,000,000, as adjusted by the Department for inflation. For the purposes of this part, owned and controlled means a business:

- (a) Which is at least 51 percent owned by one or more minorities or in the case of a publicly owned business, at least 51 percent of the stock of which is owned by one or more minorities; and
- (b) Whose management and daily business operations are controlled by one or more such individuals.

Minority is defined as a citizen or lawful permanent resident of the United States and who is:

- (1) Black (a Rowan having origins in any of the black racial groups of Africa);
- (2) Hispanic (a Rowan of Mexican, Puerto Rican, Cuban, Central or South American, or other Spanish culture or origin, regardless of race);
- (3) Asian American (a Rowan having origins in any of the original peoples of the Far East, Southeast Asia, the Indian subcontinent, or the Pacific Islands);
- (4) American Indian

Women Business or WB means a small business concern, which is owned and controlled by one or more women. Except that such term shall not include any concern or group of concerns controlled by the same woman or women which has average annual gross receipts over the preceding 3 fiscal years in excess of \$14,000,000, as adjusted by the Department for inflation. For the purposes of this part, owned and controlled means a business:

- (a) Which is at least 51 percent owned by one or more women or in the case of any publicly owned business, at least 51 percent of the stock of which is owned by one or more women; and
- (b) Whose management and daily business operations are controlled by one or more of the women who own it.

COUNTING MB/WB PARTICIPATION TOWARD MEETING THE MB/WB GOAL

- (1) If a firm is determined to be an eligible MB or WB firm and certified by the Department, the total dollar value of the participation by the MB or WB will be counted toward the appropriate MB or WB goal. The total dollar value of participation by a certified MB or WB will be based upon unit prices agreed upon by the Prime Contractor and MB or WB Subcontractor.
- (2) The Contractor may count toward its MB or WB goal a portion of the total dollar value of participation with a joint venture, eligible under the standards of this provision, equal to the percentage of the ownership and controls of the MB or WB partner in the joint venture.
- (3)
 - (a) The Contractor may count toward its MB or WB goal only expenditures to MBs or WBs that perform a commercially useful function in the work of a contract. A MB or WB is considered to perform a commercially useful function when it is responsible for execution of a distinct element of the work of a contract and carrying out its responsibilities by actually performing, managing, and supervising the work involved. To determine whether a MB or WB is performing a commercially useful function, the Department will evaluate the amount of work subcontracted, industry practices, and other relevant factors.
 - (b) Consistent with normal industry practices, a MB or WB may enter into subcontracts. If a MB or WB Contractor or Subcontractor subcontracts a significantly greater portion of the work of the contract than would be expected on the basis of normal industry practices, the MB or WB shall be presumed not to be performing a commercially useful function. The MB or WB may present evidence to rebut this presumption to the Department. The Department's decision on the rebuttal of this presumption shall be final.
- (4) A Contractor may count toward its MB or WB goal 60 percent of its expenditures for materials and supplies required to complete the contract and obtained from MB or WB regular dealer and 100 percent of such expenditures to a MB or WB manufacturer.
 - (a) For purposes of this provision, a manufacturer is a firm that operates or maintains a factory or establishment that produces on the premises the materials or supplies obtained by the Contractor.
 - (b) For purposes of this provision, a regular dealer is a firm that owns, operates, or maintains a store, warehouse, or other establishment in which the materials or supplies required for the performance of the contract are bought, kept in stock, and regularly sold to the public in the usual course of business. To be a regular dealer, the firm must engage in, as its principal business and in its own name, the purchase and sale of the products in question. A regular dealer in such bulk items as steel, cement, gravel, stone, and petroleum products need not keep such products in stock, if it owns or operates distribution equipment. Brokers and packagers shall not be regarded as manufacturers or regular dealers within the meaning of this section.

- (5) A contractor may count toward its MB or WB goal the following expenditures to MB or WB firms that are not manufacturers or regular dealers:
- (a) The fees or commissions charged for providing a bona fide service, such as professional, technical, consultant or managerial services and assistance in the procurement of essential Personnel, facilities, equipment, materials or supplies required for performance of the contract, provided that the fee or commission is determined by the Department to be reasonable and not excessive as compared with fees customarily allowed for similar services.
 - (b) The fees charged for delivery of materials and supplies required on a job site (but not the cost of the materials and supplies themselves) when the hauler, trucker, or delivery service is not also the manufacturer of or a regular dealer in the materials and supplies, provided that the fee is determined by the Department to be reasonable and not excessive as compared with fees customarily allowed for similar services.
 - (c) The fees or commissions charged for providing any bonds or insurance specifically required for the performance of the contract provided that the fee or commission is determined by the Department to be reasonable and not excessive as compared with fees customarily allowed for similar services.

REPORTS

Within 30 days after receipt of materials, supplies, or services from MBs or WBs, not otherwise documented by Request for Subcontracts (RS-1A/RS-1B), the Contractor shall furnish to the Engineer appropriate documentation (canceled checks, paid invoices, etc.) to verify expenditures with MB and WB concerns. The documentation should also indicate the percentage (60% or 100%) of expenditures claimed for MB or WB credit.

All requests for subcontracts involving MB or WB Subcontractors shall be accompanied by a certification executed by both the Prime Contractor and the MB or WB Subcontractor attesting to the agreed upon unit prices and extensions for the affected contract items. This document shall be on the Department's Form RS-1-D, or in lieu of using the Department's Form, copies of the actual executed agreement between the Prime Contractor and the MB or WB Subcontractor may be submitted. In any event, the Department reserves the right to require copies of actual subcontract agreements involving MB and WB Subcontractors.

The RS-1-D certification forms may be obtained from the Department's Resident Engineer.

These certifications shall be considered a part of the project records, and consequently will be subject to any penalties under State Law associated with falsifications of records related to projects.

REPORTING MINORITY BUSINESS ENTERPRISE OR WOMEN BUSINESS ENTERPRISE PARTICIPATION

When payments are made to Minority Business Enterprise firms or Women Business Enterprise firms, including material suppliers, contractors at all levels (prime, subcontractor, or second tier subcontractor) shall provide the Engineer with an accounting of said payments. This accounting shall be furnished the Engineer for any given month by the end of the following month. Failure to submit this information accordingly may result in (1) withholding of money due in the next partial pay estimate; or (2) removal of an approved Contractor from the prequalified bidders list or the removal of other entities from the approved subcontractors list. The accounting shall list for each payment made to a MB/WB Enterprise firm the following:

- DOT Project Number
- Payee Contractor Name
- Receiving Contractor or Material Supplier
- MB/WB Certification Basis, e.g., Woman Owned, Native American, African American, etc.
- Amount of Payment
- Date of Payment

A responsible fiscal officer of the payee contractor, subcontractor, or second tier subcontractor who can attest to the date and amounts of the payments shall certify that the accounting is correct. A copy of an acceptable report may be obtained from the Engineer.

RG42

FUEL PRICE ADJUSTMENT:

2-19-02_{CC}

Fuel Price Adjustment for items of work listed below will be made in accordance with Section 109-8 of the Standard Specifications.

The base index price for DIESEL #2 FUEL is \$1.599 per gallon.

The selected item(s) of work and the fuel factor used in calculating adjustments to be made are as follows:

| <u>Line #</u> | <u>Description</u> | <u>Units</u> | <u>Fuel Usage Factor</u> |
|---------------|---|--------------|--------------------------|
| 6 & 7 | Asphalt Concrete Surface Course, Type S9.5B&C | Gal/Ton | <u>Diesel</u> 2.90 |

RG43

PROMPT PAYMENT:

6-19-01_C

Prompt Payment of Monies Due Subcontractors, Second Tier Subcontractors and Material Suppliers and Release of Retainage

Contractors at all levels; prime, subcontractor, or second tier subcontractor, shall within seven calendar days of receipt of monies, resulting from work performed on the project or services rendered, pay subcontractors, second tier subcontractors, or material suppliers as

appropriate. This seven-day period begins upon knowledgeable receipt by the contracting firm obligated to make subsequent periodic or final payment. These prompt payment requirements will be met if each firm mails the payment to the next level firm by evidence of postmark within the seven-day period.

This provision for prompt payment shall be incorporated into each subcontract or second tier subcontract issued for work performed on the project or for services provided. If any retainage is held on subcontractors, all retainage shall be released within seven calendar days of release by the Department.

Failure of any entity to make prompt payment as defined herein may result in (1) withholding of money due to that entity in the next partial payment until such assurances are made satisfactory to this provision; or (2) removal of an approved contractor from the prequalified bidders list or the removal of other entities from the approved subcontractors list.

RG51

PARTIAL PAYMENTS

1-01-02

The 2002 Standard Specifications are revised as follows:

Page 1-69, Subarticle 109-4(A)

In the first line of the third paragraph change the amount of "\$200,000.00" to read "\$500,000.00".

RG54

DOMESTIC STEEL AND IRON PRODUCTS:

7-1-95

All steel and iron products which are permanently incorporated into this project shall be produced in the United States except minimal amounts of foreign steel and iron products may be used provided the combined project cost of the bid items involved does not exceed one-tenth of one percent (0.1 percent) of the total amount bid for the entire project or \$2,500.00, whichever is greater. This minimal amount of foreign produced steel and iron products permitted for use by this Special Provision is not applicable to fasteners. Domestically produced fasteners are required for this project.

All steel and iron products furnished as "domestic products" shall be melted, cast, formed, shaped, drawn, extruded, forged, fabricated, produced, or otherwise processed and manufactured in the United States. Raw materials including pig iron and processed pelletized and reduced iron ore used in manufacturing "domestic" steel products may be imported; however, all manufacturing processes to produce the products, including coatings, must occur in the United States.

Before each steel or iron product is incorporated into this project or included for partial payment on a monthly estimate, the Contractor shall furnish the Resident Engineer a notarized certification certifying that the product conforms to the above requirements of this Special Provision. The Resident Engineer will forward a copy of each certification to the Materials and Tests Unit.

Each purchase order issued by the Contractor or a subcontractor for steel and iron products to be permanently incorporated into this project shall contain in bold print a statement advising the supplier that all manufacturing processes to produce the steel or iron shall have occurred in the United States. The Contractor and all affected subcontractors shall maintain a separate file for steel products permanently incorporated into this project so that verification of the Contractor's efforts to purchase "domestic" steel and iron products can readily be verified by an authorized representative of the Department or the Federal Highway Administration.

RG63

RECYCLED STEEL

05-17-04

Recycled steel shall be incorporated into this project provided it meets the following requirements:

- 1. Recycled steel shall meet the Department's specifications and standards.
- 2. Recycled steel shall be acquired competitively for a reasonable price, and within a reasonable time period.

RG65

COMPENSATION AND RECORD KEEPING

03-16-04

Revise the *2002 Standard Specifications* as follows:

104-8 Compensation and Record Keeping

Change Article (A), subarticle 1. with the following:

In line 3 and line 6, change \$15,000.00 to \$25, 000.00.

RG80

**PLANT AND PEST QUARANTINES:
(IMPORTED FIRE ANT, GYPSY MOTH,
WITCHWEED, AND OTHER NOXIOUS WEEDS)**

03-18-03

Within quarantined area:

This project may be within a county regulated for plant and/or pests. If the project or any part of the Contractor's operations is located within a quarantined area, thoroughly clean all equipment prior to moving out of the quarantined area. Comply with federal/state regulations by obtaining a certificate or limited permit for any regulated article moving from the quarantined area.

Originating in a quarantined county:

Obtain a certificate or limited permit issued by the N.C. Department of Agriculture/United States Department of Agriculture. Have the certificate or limited permit accompany the article when it arrives at the project site.

Contact:

Contact the N.C. Department of Agriculture/United States Department of Agriculture at 1-800-206-9333, 919-733-6932, or <http://www.ncagr.com/plantind/> to determine those specific project sites located in the quarantined area or for any regulated article used on this project originating in a quarantined county.

Regulated Articles Include:

1. Soil, sand, gravel, compost, peat, humus, muck, and decomposed manure, separately or with other articles. This includes movement of articles listed above that may be associated with cut/waste, ditch pulling, and shoulder cutting.
2. Plants with roots including grass sod.
3. Plant crowns and roots.
4. Bulbs, corms, rhizomes, and tubers of ornamental plants.
5. Hay, straw, fodder, and plant litter of any kind.
6. Clearing and grubbing debris.
7. Used agricultural cultivating and harvesting equipment.
8. Used earth-moving equipment.
9. Any other products, articles, or means of conveyance, of any character, if determined by an inspector to present a hazard of spreading imported fire ant, gypsy moth, witchweed or other noxious weeds.

RG84

SAFETY VESTS:

6-19-01

All Contractors' Personnel, all subcontractors and their Personnel, and any material suppliers and their Personnel must wear an OSHA approved reflective vest or outer garment at all times while on the project.

RG87

DIRECTOR OF CONSTRUCTION IN LIEU OF CHIEF ENGINEER

03-16-04

Revise the 2002 Standard Specifications as follows:

Wherever the term *Chief Engineer* or *Chief Engineer of Operations* occurs in the Specifications, the actions and responsibilities referred to will be performed by the Director of Construction, Division of Highways, North Carolina Department of Transportation, acting directly or through his duly authorized representative.

Revision to Definitions of Terms

Page 1-4, Article 101-35

101-35 ENGINEER

The Chief Engineer of Operations, and/or Director of Construction, Division of Highways, North Carolina, Department of Transportation, acting directly or through their duly authorized representative.

RG91

CONTRACTOR BORROW SOURCE

10-19-04

Revise the *2002 Standard Specifications* as follows:

Page 2-17, Article 230-4(C) Contractor Furnished Sources, add the following;

If the Contractor proposes a borrow source, the environmental assessment shall include wetland and stream delineation extending 400 feet beyond the proposed borrow source limits.

1. If wetlands or streams are present within 400 feet of the borrow source and the contractor proposes to dewater:
 - a. Submit a hydrologic analysis (Skaggs Method) to determine if lateral effects will permanently impact or cause degradation to wetlands or streams. The analysis shall be performed by an environmental or hydraulics engineer with expertise in this discipline and shall consist of, but not be limited to:
 - Hydric soil type
 - Average profile depth to restrictive soil layer
 - Average hydraulic conductivity or permeability
 - Average drainable porosity or available water capacity
 - Required buffer width, including safety factor
 - b. Attach a conservation easement specifying that the completed pit impoundment, shall not be drained, ditched, used for irrigation, or any other manner that would degrade wetlands and streams.
 - c. Provide copy of recorded conservation easement to Engineer prior to commencement of any work on proposed pit.
2. If wetlands or streams are not present within 400 feet, no additional documentation will be required.

During Department review of the proposed borrow area, the hydrologic analysis will be submitted to the U. S. Army Corps of Engineers for evaluation.

Obtain copy of Skaggs Method for Determining Lateral Effects of a Borrow Pit on Adjacent Wetlands from Roadside Environmental Unit web site:

http://www.doh.dot.state.nc.us/operations/dp_chief_eng/roadside/fieldops/

Copies may also be obtained from Room 558, Transportation Building, 1 S. Wilmington Street, Raleigh, NC 27601.

RG92

OUTSOURCING OUTSIDE THE USA

09-21-04

All work on consultant contracts, services contracts, and construction contracts shall be performed in the United States of America. No work shall be outsourced outside of the United States of America.

Outsourcing for the purpose of this provision is defined as the practice of subcontracting labor, work, services, staffing, or Personnel to entities located outside of the United States.

The Secretary of Transportation shall approve exceptions to this provision in writing.

RG95

DISQUALIFICATION OF BIDDERS

11-16-04

The 2002 *Standard Specifications* are revised as follows:

Page 1-17 Article 102-16, replace No.12 with the following:

- 12. Failure to submit the documents required by Article 109-10 within 60 days after request by the Engineer.

Page 1-18 Article 102-16, add the following after Number 15.

- 16. False information submitted on any application, statement, certification, report, records and/or reproduction.

Conviction of any employee of company, of any applicable state or federal law, may be fully imputed to the business firm with which he is or was associated or by whom he was employed or with the knowledge or approval of the business firm or thereafter ratified by it.

- 17. Being debarred from performing work with other city, state, and federal agencies.

- 18. Failure to perform guaranty work within the terms of the contract.

RG155

NOTES TO CONTRACTOR:

Before any milling operations or resurfacing operations begin, it is very important that all utility valve boxes, meter boxes, and/or manholes that are located in the travel lane be located and marked. Various utilities in Rowan County have agreed to cooperate with the Contractor to facilitate this operation. Following is a listing of various utility companies that will be affected and their contact persons with phone numbers:

Communications

Bell South Engineering Mr. Jeremy Plyler 704-639-9503

In the China Grove, Landis, and Kannapolis Area:

Concord Telephone Mr. Jim Foley 704-722-2822

 or Mr. Joe Calloway 704-722-2651

(they want to raise their own utility manholes)

Water/Sewer

City of Salisbury Mr. Jim Beamer 704-638-5202

(Inventory control specialist - Mr. Rob Holmes 704-638-5389)

Gas

Piedmont Natural Gas Co. Mr. Rick Mahaley 704-633-9066

(they will meet with Contractor, mark and count meter boxes)

PSNC Energy Mr. Bill Norris 704-723-4314

RR22Rev

PROJECT SPECIAL PROVISIONS
ROADWAY 1-15-02

RR01

PRICE ADJUSTMENT - ASPHALT BINDER FOR PLANT MIX: 11-21-00

Price adjustments for asphalt binder for plant mix will be made in accordance with Section 620 of the Standard Specifications as modified herein.

The base price index for asphalt binder for plant mix is \$219.17 per ton.

This base price index represents an average of F.O.B. selling prices of asphalt binder at supplier's terminals on October 1, 2004.

RR19

INCIDENTAL STONE BASE: 7-1-95

Description:

Place incidental stone base on driveways, mailboxes, etc. immediately after paving and do not have the paving operations exceed stone base placement by more than one week without written permission of the Engineer.

Materials and Construction:

Provide and place incidental stone base in accordance with the requirements of Section 545 of the Standard Specifications.

Method of Measurement:

Measurement will be in accordance with Article 545-6 of the Standard Specifications.

Basis of Payment:

Payment will be in accordance with Article 545-7 of the Standard Specification at the contract unit price per ton for "Incidental Stone Base".

RR28

Payment will be made under:

Incidental Stone Base Ton

ASPHALT PAVEMENTS - SUPERPAVE

02-17-04

Revise the 2002 Standard Specifications as follows:

PRIME COAT

Page 6-2, Article 600-9

Delete the first paragraph under this Article and substitute the following:

The quantity of prime coat to be paid will be the number of gallons (liters) of prime coat material that has been satisfactorily placed on the roadway. Each distributor load of prime coat material delivered and utilized on the project will be measured.

ASPHALT TACK COAT

Page 6-4, Article 605-8

Insert the following after paragraph one in this Article:

Take necessary precautions to limit the tracking and/or accumulation of tack coat material on either existing or newly constructed pavements. Excessive accumulation of tack may require corrective measures.

FIELD VERIFICATION AND JOB MIX FORMULA ADJUSTMENTS

Page 6-7, Article 609-4

Delete the first paragraph under this Article and substitute the following:

Conduct field verification of the mix at each plant within 30 calendar days prior to initial production of each mix design, when required by the Allowable Mix Adjustment Policy and when directed as deemed necessary.

Page 6-8, Article 609-4

Delete the first paragraph on this page and substitute the following:

Retain records of these calibrations and mix verification tests, including Superpave Gyratory Compactor (SGC) printouts, at the QC laboratory. In addition, furnish copies, including SGC printouts, to the Engineer for review and approval within one working day after beginning production of the mix.

Page 6-8, Article 609-4

Add the following sentence to the end of the last paragraph in this Article:

Any mix produced that is not verified may be assessed a price reduction at the Engineer's discretion in addition to any reduction in pay due to mix and/or density deficiencies.

Quality control minimum sampling and testing schedule:

Page 6-9, Subarticle 609-5(C)1

Delete the second sentence in the second paragraph of this Article and substitute the following:

Retain the QC compacted volumetric test specimens for 5 calendar days, commencing the day the specimens are prepared.

Page 6-9, Subarticle 609-5(C)2

At the bottom of this page, delete the sentence directly above the Accumulative Production Increment and substitute the following:

Sample and test the completed mixture from each mix design at the following minimum frequency during mix production:

Page 6-10, Subarticle 609-5(C)2

Revise Items B, C, D and E on this page as follows:

- B. Gradation on Recovered Blended Aggregate from Mix Sample (AASHTO T 30 Modified) Grade on all sieves specified on JMF
- C. Maximum Specific Gravity (AASHTO T 209 or ASTM D 2041), optional (ASTM D 6857)
- D. Bulk Specific Gravity of Compacted Specimens (AASHTO T166), optional (ASTM D 6752), Average of 3 specimens at N_{des} gyrations (AASHTO T 312)
- E. Air Voids (VTM) (AASHTO T 269), Average of 3 specimens at N_{des} gyrations

Page 6-11, Subarticle 609-5(C)2

At the top of this page, delete Item B., "Reclaimed Asphalt Pavement..." and substitute the following:

- B. Reclaimed Asphalt Pavement (RAP) Binder Content and Gradation (AASHTO T 308 Modified or T 164 and AASHTO T 30 Modified) (sampled from stockpiles or cold feed system at beginning of production and weekly thereafter). Have RAP approved for use in accordance with Article 1012-1(G). (Split Sample Required)

Page 6-11, Subarticle 609-5(C)2

Insert the following sampling and testing at the end of this Subarticle

- F. Uncompacted Void Content of Fine Aggregate, AASHTO T 304, Method A (natural sand only). Performed at Mix Design and when directed as deemed necessary. (Split Sample Required)
- G. Reclaimed Asphalt Shingle Material (RAS) Binder Content and Gradation (AASHTO T 308 Modified or T 164 and AASHTO T 30 Modified) (sampled from stockpiles or cold feed system at beginning of production and weekly thereafter). Have RAS approved for use in accordance with Article 1012-1(F). (Split Sample Required)

CONTROL CHARTS

Page 6-11, Subarticle 609-5(C)3

Delete the second sentence of the first paragraph in this Subarticle and substitute the following:

Record all regularly scheduled random sample or directed sample full test series results for mix incorporated into the project on control charts the same day the test results are obtained.

Page 6-12, Subarticle 609-5(C)3

Delete item 3 in the list below the second full paragraph on this page.

CONTROL LIMITS

Page 6-12, Subarticle 609-5(C) 4

At the bottom of this page, delete the table and substitute the following:

CONTROL LIMITS

| Mix Control Criteria | Target Source | Warning Limit | Moving Average Limit | Individual Limit |
|--|----------------------|----------------------|-----------------------------|-------------------------|
| 2.36mm Sieve | JMF | ±4.0 % | ±5.0 % | ±8.0 % |
| 0.075mm Sieve | JMF | ±1.5 % | ±2.0 % | ±2.5 % |
| Binder Content | JMF | ±0.3 % | ±0.5 % | ±0.7 % |
| VTM @ N _{des} | JMF | ±1.0 % | ±1.5 % | ±2.0 % |
| VMA @ N _{des} | Min. Spec. Limit | -0.5% | -0.8% | -1.0% |
| P _{0.075} / P _{be} Ratio | Max. Spec. Limit | 0.0 | N/A | +0.4% |
| %G _{mm} @ N _{ini} | Max. Spec. Limit | N/A | N/A | +2.0% |
| TSR | Min. Spec. Limit | N/A | N/A | -15.0% |

FIELD COMPACTION QUALITY CONTROL

Page 6-15, Subarticle 609-5(D)1

Delete the first and second sentences in the fourth paragraph on this page and substitute the following:

Base and intermediate mix types (surface mixes not included) utilized for pavement widening of less than 4.0 feet and all mix types used in tapers, irregular areas and intersections (excluding full width travel lanes of uniform thickness), will not be subject to the sampling and testing frequency specified above provided the pavement is compacted using approved equipment and procedures. However, the Engineer may require occasional density sampling and testing to evaluate the compaction process.

Page 6-16, Subarticle 609-5(D)1

Delete item number 2 at the top of this page. Item number 3 should be re-numbered as 2 after the specified deletion.

LIMITED PRODUCTION PROCEDURE

Page 6-17, Subarticle 609-5(D) 5

Delete the first paragraph in this Subarticle and substitute the following:

Proceed on limited production when, for the same mix type, one of the following items occur:

- (1) Two consecutive failing lots, excluding lots representing an individual resurfacing map or portion thereof.
- (2) Three consecutive failing lots, with each lot representing an individual resurfacing map or portion thereof.
- (3) Two consecutive failing nuclear control strips.

Pavement within each construction category (New and Other), as defined in Article 610-13, and pavement placed simultaneously by multiple paving crews will be evaluated independently for limited production purposes.

Delete the first sentence in the last paragraph in this Subarticle and substitute the following:

If the Contractor does not operate by the limited production procedures as specified above, the two consecutive failing density lots, three consecutive failing lots with each lot representing an individual resurfacing map or portion thereof, or two consecutive failing nuclear control strips, whichever is applicable, and all mix produced thereafter will be considered unacceptable.

DOCUMENTATION (RECORDS)

Page 6-18, Subarticle 609-5(E)

Delete the third and fourth sentence in the first full paragraph on this page and substitute the following:

Maintain all QC records, forms and equipment calibrations for a minimum of 3 years from their completion date.

Delete the second full paragraph on this page and substitute the following:

Falsification of test results, documentation of observations, records of inspection, adjustments to the process, discarding of samples and/or test results, or any other deliberate misrepresentation of the facts will result in the revocation of the applicable Rowan’s QMS certification. The Engineer will determine acceptability of the mix and/or pavement represented by the falsified results or documentation. If the mix and/or pavement in question is determined to be acceptable, the Engineer may allow the mix to remain in place at no pay for the mix, asphalt binder and other mix components. If the mix and/or pavement represented by the falsified results is determined not to be acceptable, remove and replace with mix, which complies with the Specifications. Payment will be made for the actual quantities of materials required to replace the falsified quantities, not to exceed the original amounts.

QUALITY ASSURANCE

Page 6-18, Article 609-6

In Item 5 under Plant Mix Quality Assurance, add “at a frequency equal to or greater than 5% of the QC sample frequency”.

In the first sentence within the paragraph below Plant Mix Quality Assurance, delete the words “of mix”.

In Item 1 under Density Quality Assurance, delete the wording at the end of the sentence “at a frequency equal to or greater than 10% of the frequency required of the Contractor”.

Page 6-19, Article 609-6

In Item 4 under Density Quality Assurance, add “at a frequency equal to or greater than 5% of the QC sample frequency.”

Insert the following after Item 4 under Density Quality Assurance:

- 6. By periodically directing the recalculation of random numbers for the Quality Control core or nuclear density test locations. The original QC test locations may be tested by QA and evaluated as verification tests.

LIMITS OF PRECISION

Page 6-19, Article 609-6

In the limits of precision table, delete the last three rows and substitute the following:

QA retest of prepared QC Gyrotory Compacted

| | |
|-------------------------------|----------------------------|
| Volumetric Specimens | ± 0.015 |
| Retest of QC Core Sample | $\pm 1.2\%$ (% Compaction) |
| Comparison of QA Core Sample | $\pm 2.0\%$ (% Compaction) |
| QA Verification Core Sample | $\pm 2.0\%$ (% Compaction) |
| Nuclear Comparison of QC Test | $\pm 2.0\%$ (% Compaction) |
| QA Nuclear Verification Test | $\pm 2.0\%$ (% Compaction) |

ASPHALT CONCRETE PLANT MIX PAVEMENTS – DESCRIPTION

Page 6-20, Article 610-1

Insert the following after the last paragraph in this Article:

A high frequency of asphalt plant mix, density, or mix and density deficiencies occurring over an extended duration of time may result in future asphalt, which is represented by mix and/or density test results not in compliance with minimum specification requirements, being excluded from acceptance at an adjusted contract unit price in accordance with Article 105-3. This acceptance process may apply to all asphalt produced and /or placed and may continue until the Engineer determines a history of quality asphalt production and placement is reestablished.

MATERIALS

Page 6-21, Article 610-2

Delete reference of Anti-strip additive (chemical) to Article 1020-2 and substitute Article 1020-8.

COMPOSITION OF MIXTURES (MIX DESIGN AND JOB MIX FORMULA)

Page 6-21, Subarticle 610-3(A)

At the end of the second paragraph under this Subarticle, add the following sentence:

In addition, submit Superpave gyrotory compactor printouts for all specimens compacted at N_{des} and N_{max} during the mix design process.

Insert the following paragraph after the second paragraph under this Subarticle:

For the final surface layer of the specified mix type, use a mix design with an aggregate blend gradation above the maximum density line on the 2.36 mm and larger sieves.

Insert the following at the end of the third paragraph under this Article:

When the percent of binder contributed from RAS or a combination of RAS and RAP exceeds 20 percent of the total binder in the completed mix, the virgin binder PG grade must be one grade below (both high and low temperature grade) the binder grade specified in Table 610-2 for the mix type.

Delete the fourth paragraph in this Subarticle and substitute the following:

For Type S 12.5D mixes, the maximum percentage of reclaimed asphalt material is limited to 15% and must be produced using virgin asphalt binder grade PG 76-22. For all other recycled mix types, when the percentage of RAP is 15 percent or less of the total mixture, the virgin binder PG grade must be as specified in Table 610-2 for the specified mix type. When the percentage of RAP is greater than 15 but not more than 25 percent of the total mixture, the virgin binder PG grade must be one grade below (both high and low temperature grade) the specified grade for the mix type. When the percentage of RAP is greater than 25 percent of the total mixture, the Engineer will establish and approve the asphalt binder grade.

Page 6-22, Subarticle 610-3(A)

Insert the following sentence at the end of the Item 4:

If natural sand is utilized in the proposed mix design, determine and report the Uncompacted Void Content of the natural sand in accordance with AASHTO T-304, Method A.

Page 6-23, Subarticle 610-3(A)

Under the quantities of mix components insert the following sentence:

When requested by the Engineer, submit to the Department's Materials and Tests Unit, in Raleigh, six (6) Superpave Gyratory Compactor specimens compacted to a height of 75 mm and to a void content (VTM) of 4.0% +/- 0.5% for performance rut testing with the Asphalt Pavement Analyzer.

JOB MIX FORMULA

Page 6-24, Subarticle 610-3(C)

Delete Table 610-1 and associated notes. Substitute the following:

**TABLE 610-1
SUPERPAVE AGGREGATE GRADATION DESIGN CRITERIA**

| Standard Sieves (mm) | Percent Passing Criteria (Control Points) | | | | | | | | | | | |
|--------------------------------|---|-------|-----------------|-----------------|-------------|-------|---------|------|---------|------|---------|-------|
| | Mix Type (Nominal Maximum Aggregate Size) | | | | | | | | | | | |
| | 4.75 mm (a) | | 9.5 mm (c) | | 12.5 mm (c) | | 19.0 mm | | 25.0 mm | | 37.5 mm | |
| | Min. | Max. | Min. | Max. | Min. | Max. | Min. | Max. | Min. | Max. | Min. | Max. |
| 50.0 | | | | | | | | | | | | 100.0 |
| 37.5 | | | | | | | | | 100.0 | 90.0 | 100.0 | |
| 25.0 | | | | | | | 100.0 | 90.0 | 100.0 | | 90.0 | |
| 19.0 | | | | | 100.0 | 90.0 | 100.0 | | 90.0 | | | |
| 12.5 | | | | 100.0 | 90.0 | 100.0 | | 90.0 | | | | |
| 9.5 | | 100.0 | 90.0 | 100.0 | | 90.0 | | | | | | |
| 4.75 | 90.0 | 100.0 | | 90.0 | | | | | | | | |
| 2.36 | 65.0 | 90.0 | 32.0 (b) | 67.0 (b) | 28.0 | 58.0 | 23.0 | 49.0 | 19.0 | 45.0 | 15.0 | 41.0 |
| 1.18 | | | | | | | | | | | | |
| 0.600 | | | | | | | | | | | | |
| 0.300 | | | | | | | | | | | | |
| 0.150 | | | | | | | | | | | | |
| 0.075 | 4.0 | 8.0 | 4.0 | 8.0 | 4.0 | 8.0 | 3.0 | 8.0 | 3.0 | 7.0 | 3.0 | 6.0 |

- (a) For Type S 4.75A, a minimum of 50% of the aggregate components shall be manufactured material from the crushing of stone.
- (b) For Type SF 9.5A, the percent passing the 2.36mm sieve shall be a minimum of 60% and a maximum of 70%.
- (c) For the final surface layer of the specified mix type, use a mix design with an aggregate blend gradation above the maximum density line on the 2.36 mm and larger sieves.

Page 6-25, Subarticle 610-3(C),

Delete Table 610-2 and associated notes. Substitute the following:

**TABLE 610-2
SUPERPAVE MIX DESIGN CRITERIA**

| Mix Type (f) | Design ESALs (a) | Binder PG (b) | Compaction Levels | | | Volumetric Properties (c) | | | |
|--------------------|---|---------------------|-------------------|------------------|------------------|---------------------------|-----------|-----------------------|----------------------------|
| | millions | Grade | No. Gyration @ | | | VMA % Min. | VTM % | VFA Min. - Max. | %Gmm @ N _{ini} |
| | | | N _{ini} | N _{des} | N _{max} | | | | |
| S-4.75A | <0.3 | 64 -22 | 6 | 50 | 75 | 20.0 | 7.0-15.0 | | |
| SF-9.5A | <0.3 | 64 -22 | 6 | 50 | 75 | 16.0 | 3.0 - 5.0 | 70 - 80 | ≤ 91.5 |
| S-9.5B | 0.3 - 3 | 64 -22 | 7 | 75 | 115 | 15.0 | 3.0 - 5.0 | 65 - 80 | ≤ 90.5 |
| S-9.5C | 3 - 30 | 70 -22 | 8 | 100 | 160 | 15.0 | 3.0 - 5.0 | 65 - 76 | ≤ 90.0 |
| S-12.5C | 3 - 30 | 70 -22 | 8 | 100 | 160 | 14.0 | 3.0 - 5.0 | 65 - 75 | ≤ 90.0 |
| S-12.5D | > 30 | 76 -22 | 9 | 125 | 205 | 14.0 | 3.0 - 5.0 | 65 - 75 | ≤ 90.0 |
| I-19.0B | < 3 | 64 -22 | 7 | 75 | 115 | 13.0 | 3.0 - 5.0 | 65 - 78 | ≤90.5 |
| I-19.0C | 3 - 30 | 64 -22 | 8 | 100 | 160 | 13.0 | 3.0 - 5.0 | 65 - 75 | ≤ 90.0 |
| I-19.0D | > 30 | 70 -22 | 9 | 125 | 205 | 13.0 | 3.0 - 5.0 | 65 - 75 | ≤ 90.0 |
| B-25.0B | < 3 | 64 -22 | 7 | 75 | 115 | 12.0 | 3.0 - 5.0 | 65 - 78 | ≤ 90.5 |
| B-25.0C | > 3 | 64 -22 | 8 | 100 | 160 | 12.0 | 3.0 - 5.0 | 65 - 75 | ≤ 90.0 |
| B-37.5C | > 3 | 64 -22 | 8 | 100 | 160 | 11.0 | 3.0 - 5.0 | 63 - 75 | ≤ 90.0 |
| | | | | | | | | | |
| | Design Parameter | | | | | Design Criteria | | | |
| All | 1. %G _{mm} @ N _{max} | | | | | ≤ 98.0% (d) | | | |
| Mix | 2. Dust to Binder Ratio (P _{0.075} / P _{be}) | | | | | 0.6 - 1.4 | | | |
| Types | 3. Retained Tensile Strength (TSR) (AASHTO T 283 Modified) | | | | | 85 % Min. (e) | | | |

- Notes:**
- (a) Based on 20 year design traffic.
 - (b) When Recycled Mixes are used, select the binder grade to be added in accordance with Subarticle 610-3(A).
 - (c) Volumetric Properties based on specimens compacted to N_{des} as modified by the Department.
 - (d) Based on specimens compacted to N_{max} at selected optimum asphalt content.
 - (e) AASHTO T 283 Modified (No Freeze-Thaw cycle required). TSR for Type S 4.75A, Type B 25.0 and Type B 37.5 mixes is 80% minimum.
 - (f) Mix Design Criteria for Type S 4.75A may be modified subject to the approval of the Engineer

WEATHER, TEMPERATURE, AND SEASONAL LIMITATIONS FOR PRODUCING AND PLACING ASPHALT MIXTURES

Page 6-26, Article 610-4, Table 610-3

Delete the title of Table 610-3 and substitute the following title:

ASPHALT PLACEMENT- MINIMUM TEMPERATURE REQUIREMENTS

In the first column, third row; delete reference to the ACSC Types S 9.5A and S 12.5B mix.

Add the following minimum placing temperatures for mix types S 4.75A and SF 9.5A.

| Asphalt Concrete Mix Type | Minimum Air Temperature | Minimum Road Surface Temperature |
|----------------------------------|--------------------------------|---|
| ACSC, Type S 4.75A, SF 9.5A | 40°F (5°C) | 50°F (10°C) |

SPREADING AND FINISHING

Page 6-32, Article 610-8

Insert the following after the second sentence within the sixth paragraph in this Article,

Take necessary precautions during production, loading of trucks, transportation, truck exchanges with paver, folding of the paver hopper wings, and conveying material in front of the screed to prevent segregation of the asphalt mixtures.

Page 6-33, Article 610-8

At the end of the third full paragraph on this page, add the following sentence:

Waiver of the use of automatic screed controls does not relieve the Contractor of achieving plan grades and cross-slopes.

DENSITY REQUIREMENTS

Page 6-34, Article 610-10,

Delete Table 610-4 and substitute the following table and associated notes:

Table 610-4
MINIMUM DENSITY REQUIREMENTS

| MIX TYPE | MINIMUM % of G_{mm} |
|---|-----------------------------------|
| SUPERPAVE MIXES | (Maximum Specific Gravity) |
| S 4.75A | 85.0 ^(a,b) |
| SF 9.5A | 90.0 |
| S 9.5X, S 12.5X, I 19.0X, B 25.0X, B 37.5X | 92.0 |

- (a) All S 4.75A pavement will be accepted for density in accordance with Article 105-3
- (b) Compaction to the above specified density will be required when the S 4.75 A mix is applied at a rate of 100 lbs/sy (55 kg/m²)

Page 6-34, Article 610-10

Delete the second paragraph in this Article and substitute the following:

Compact base and intermediate mix types (surface mixes not included) utilized for pavement widening of less than 4.0 feet (1.2 meters) and all mix types used in tapers, irregular areas and intersections (excluding full width travel lanes of uniform thickness), using equipment and procedures appropriate for the pavement area width and/or shape. Compaction with equipment other than conventional steel drum rollers may be necessary to achieve adequate compaction. Occasional density sampling and testing to evaluate the compaction process may be required. Densities lower than that specified in Table 610-4 will be accepted, in accordance with Article 105-3, for the specific mix types and areas listed directly above.

SURFACE REQUIREMENTS AND ACCEPTANCE

Page 6-35, Article 610-12

Delete the first paragraph in this Article and substitute the following:

Construct pavements using quality paving practices as detailed herein. Construct the pavement surface smooth and true to the plan grade and cross slope. Immediately correct any defective areas with satisfactory material compacted to conform with the surrounding area. Pavement imperfections resulting from unsatisfactory workmanship such as segregation, improper longitudinal joint placement or alignment, non-uniform edge alignment and excessive pavement repairs will be considered unsatisfactory and if allowed to remain in place will be accepted in accordance with Article 105-3.

When directed due to unsatisfactory laydown or workmanship, operate under the limited production procedures. Limited production for unsatisfactory laydown is defined as being restricted to the production, placement, compaction, and final surface testing (if applicable) of a sufficient quantity of mix necessary to construct only 2500 feet (750 meter) of pavement at the laydown width.

Remain on limited production until such time as satisfactory laydown results are obtained or until three consecutive 2500 foot (750 meter) sections have been attempted without achieving satisfactory laydown results. If the Contractor fails to achieve satisfactory laydown results after three consecutive 2500 foot (750 meter) sections have been attempted, cease production of that mix type until such time as the cause of the unsatisfactory laydown results can be determined. As an exception, the Engineer may grant approval to produce a different mix design of the same mix type if the cause is related to mix problem(s) rather than laydown procedures.

Mix placed under the limited production procedures for unsatisfactory laydown or workmanship will be evaluated for acceptance in accordance with Article 105-3.

DENSITY ACCEPTANCE

Page 6-36, Article 610-13

Delete the second paragraph on this page and substitute the following:

The pavement will be accepted for density on a lot by lot basis. A lot will consist of one day's production of a given job mix formula on a contract. As an exception, separate lots will be established when the one of the following occurs:

- (6) Portions of pavement are placed in both "New" and "Other" construction categories as defined below. A lot will be established for the portion of the pavement in the "New" construction category and a separate lot for the portion of pavement in the "Other" construction category.
- (7) Pavement is placed on multiple resurfacing maps, unless otherwise approved prior to paving. A lot will be established for each individual resurfacing map or portion thereof.
- (8) Pavement is placed simultaneously by multiple paving crews. A lot will be established for the pavement placed by each paving crew.
- (9) Pavement is placed in different layers. A lot will be established for each layer.
- (10) Control strips are placed during limited production.

The Engineer will determine the final category and quantity of each lot for acceptance purposes.

Page 6-36, Article 610-13

Delete the first sentence in the third paragraph on this page and insert the following:

The “New” construction category will be defined as pavements of uniform thickness, exclusive of irregular areas, meeting all three of the following criteria:

Delete the sixth paragraph in this Article and substitute the following:

A failing lot for density acceptance purposes is defined as a lot for which the average of all test sections, and portions thereof, fails to meet the minimum specification requirement. If additional density sampling and testing, beyond the minimum requirement, is performed and additional test sections are thereby created, then all test results shall be included in the lot average. In addition, any lot or portion of a lot that is obviously unacceptable will be rejected for use in the work.

Page 6-36, Article 610-13

Delete the last paragraph on this page and substitute the following:

Any density lot not meeting minimum density requirements detailed in Table 610-4 will be evaluated for acceptance by the Engineer. If the lot is determined to be reasonably acceptable, the mix will be paid at an adjusted contract price in accordance with Article 105-3. If the lot is determined not to be acceptable, the mix will be removed and replaced with mix meeting and compacted to the requirement of these specifications.

BASIS OF PAYMENT, ASPHALT PAVEMENTS

Page 6-37, Article 610-16

Add the following to the second paragraph:

The quantity of hot mix asphalt pavement, measured as provided in Article 610-15, will be paid for at the contract unit prices per ton (metric ton) for “Asphalt Concrete Surface Course, Type S 4.75A, and SF 9.5A”.

Add the following to the payment item description:

| | |
|---|------------------|
| Asphalt Concrete Surface Course, Type S 4.75A | Ton (Metric Ton) |
| Asphalt Concrete Surface Course, Type SF 9.5A | Ton (Metric Ton) |

Delete reference to the Asphalt Concrete Surface Course, Types S 9.5A and S 12.5B in both the second paragraph and in the payment description.

ASPHALT BINDER FOR PLANT MIX - METHOD OF MEASUREMENT

Page 6-39, Article 620-4

Delete the first sentence of the second paragraph on this page and substitute the following:

Where recycled plant mix is being produced, the grade of asphalt binder to be paid for will be the grade for the specified mix type as required in Table 610-2 unless otherwise approved.

CONSTRUCTION REQUIREMENTS

Page 6-43, Article 650-5

Add the following paragraph after the first paragraph under this Article:

Do not place open-graded asphalt friction course between October 31 and April 1 of the next year, unless otherwise approved. Place friction course, Type FC-1 mixes, only when the road surface temperature is 50°F (10°C) or higher and the air temperature is 50°F (10°C) or higher. The minimum air temperature for Type FC-1 Modified and FC-2 Modified mixes will be 60°F (15°C).

AGGREGATES FOR ASPHALT PLANT MIXES

Page 10-34, Subarticle 1012-1(B)4

Delete this Subarticle and substitute the following:

(4) Flat and Elongated Pieces:

Use coarse aggregate meeting the requirements of Table 1012-1 for flat and elongated pieces when tested in accordance with ASTM D 4791 (Section 8.4) on the No. 4 (4.75 mm) sieve and larger with a 5:1 aspect ratio (maximum to minimum) for all pavement types, except there is no requirement for Types S 4.75A, SF 9.5A, and S 9.5B.

Page 10-35, Table 1012-1

Delete Table 1012-1 and substitute the following:

**Table 1012-1
AGGREGATE CONSENSUS PROPERTIES^(a)**

| Mix Type | Course Aggregate Angularities ^(b) | Fine Aggregate Angularities % Minimum | Sand Equivalent % Minimum | Flat & Elongated 5 : 1 Ratio % Maximum |
|---|--|--|---------------------------------|---|
| | ASTM D 5821 | AASHTO T 304 Method A | AASHTO T 176 | ASTM D 4791 Section 8.4 |
| S 4.75 A | | 40 | 40 | |
| SF 9.5 A S 9.5 B I 19.0 B B 25.0 B | 75 / - | 40 | 40 | 10 ^(c) |
| S 9.5 C S 12.5 C I 19.0 C B 25.0 C B 37.5 C | 95 / 90 | 45 | 45 | 10 |
| S 12.5 D I 19.0 D | 100 / 100 | 45 | 50 | 10 |
| OGAFC | 100 / 100 | N/A | N/A | 10 |

- (a) Requirements apply to the course aggregate blend and/or fine aggregate blend
- (b) 95/90 denotes that 95% of the course aggregate (+No.4 or + 4.75mm sieve) has one fractured face and 90% has two or more fractured faces.
- (c) Does not apply to Mix Types SF 9.5 A or S 9.5 B

Page 10-36, Subarticle 1012-1(C)1

Insert the following after the fourth paragraph on this page:

When natural sand is utilized in “C” or “D” level asphalt mixes, do not exceed the maximum natural sand percentage in the mix design and/or production aggregate blend detailed in Table 1012-1A.

Table 1012-1A

| Uncompacted Void Content of Fine Aggregate AASHTO T 304 Method A | Maximum Percent Natural Sand Included in Mix Design and/or Production* |
|---|---|
| Less than 42.0 | 10 |
| Equal to 42.0 to 44.9 | 15 |
| Equal to 45.0 and greater | 20 |

*Maximum percent natural sand may be exceeded with approval from Pavement Construction Engineer upon satisfactory evaluation of pavement performance testing

FINE AGGREGATE ANGULARITY

Page 10-36, Subarticle 1012-1(C)6

Delete reference to AASHTO TP 33 Method A and substitute AASHTO T 304, Method A.

Page 10-37, Subarticle 1012-1(H)

Delete this Subarticle. It is a duplicate of Subarticle 1012-1(F) located on Page 10-36.

ASPHALT BINDER

Page 10-46, Article 1020-2

Delete the first paragraph under this Article and substitute the following:

Use Performance Graded Asphalt Binder meeting the requirements of AASHTO M 320. See Article 610-3 for the specified grades. Submit a Quality Control Plan for asphalt binder production in conformance with the requirements of AASHTO R 26 to the Materials and Tests Unit.

RR31

ASPHALT BINDER CONTENT OF ASPHALT PLANT MIXES: 1-01-02_R

The approximate asphalt binder content of the asphalt concrete plant mixtures used on this project will be as follows:

Asphalt Concrete Surface Course, Type S 9.5B&C 6.0%

The actual asphalt binder content will be established during construction by the Engineer within the limits established in the Standard Specifications or Project Special Provisions.

RR43

RESURFACING EXISTING BRIDGES:

7-1-95

The Contractor's attention is directed to the fact that he will be required to resurface the bridges on this project if directed by the Engineer.

Place the surface so as to follow a grade line set by the Engineer with the minimum thickness as shown on the sketch herein or as directed by the Engineer. *(See "Rowan County 2005 Resurfacing Bridge Listing" in the Map Section of Contract).* State Forces will make all necessary repairs to the bridge floors prior to the time that the Contractor places the proposed surfacing. Give the Engineer at least 15 days notice prior to the expected time to begin operations so that State Forces will have sufficient time to complete their work.

At all bridges which are not to be resurfaced, taper out the proposed resurfacing layer adjacent to the bridges to insure a proper tie-in with the bridge surface.

RR61Rev

PAVING INTERSECTIONS, DRIVEWAYS, AND MAILBOX TURNOUTS:

7-1-95

Surface all unpaved intersections back from the edge of the pavement on the main line of the project a minimum distance of 50 feet. Surface all driveway and mailbox turnouts as directed by the Engineer. The pavement placed in the intersections must be of the same material and thickness as being used on the main line. Use material to pave driveway and mailbox turnouts that is being used on the project and place it in depths directed by the Engineer.

Resurface all paved intersections back to the ends of the radii, or as directed by the Engineer.

The unpaved intersections, driveways, and mailbox turnouts will be prepared for surfacing by State Forces.

Widen the pavement on curves as directed by the Engineer.

RR70

PATCHING EXISTING PAVEMENT:

1-15-02

Description:

The Contractor's attention is directed to the fact that there are areas of existing pavement on this project that will require repair prior to resurfacing.

Patch the areas that, in the opinion of the Engineer, need repairing. The areas to be patched will be delineated by the Engineer prior to the Contractor performing repairs.

Construction Methods:

The patching consists of Asphalt Concrete Base Course, Asphalt Concrete Intermediate Course, Asphalt Concrete Surface Course, or a combination of base, binder and surface course, and pavement removal, as directed by the Engineer.

Patching of existing pavement includes but is not limited to the cutting of the existing pavement to a neat vertical joint and uniform line; the removal and disposal of pavement, base, and subgrade material as approved or directed by the Engineer; the coating of the area to be repaired with a tack coat; and the replacement of the removed material with asphalt plant mix.

Place Asphalt Concrete Base Course, in lifts not exceeding 5 1/2 inches. Utilize compaction equipment suitable for compacting patches as small as 3.5 feet by 6 feet on each lift. Use an approved compaction pattern to achieve proper compaction. If patched pavement is to be open to traffic for more than 48 hours prior to overlay, then use Asphalt Surface Course in the top 1.25 inches of the patch.

Remove existing pavement at locations directed by the Engineer in accordance with Section 250 of the Standard Specifications.

Schedule operations so that all areas where pavement has been removed will be repaired on the same day of the pavement removal, and all lanes of traffic restored.

Method of Measurement:

The quantity of patching existing pavement to be paid for will be the actual number of tons of asphalt plant mix, complete in place, which has been used to make completed and accepted repairs. The asphalt plant mixed material will be measured by being weighed in trucks on certified platform scales or other certified weighing devices.

Basis of Payment:

The quantity of patching existing pavement, measured as provided above, will be paid for at the contract unit price per ton for "Patching Existing Pavement".

The above price and payment will be full compensation for all work covered by this provision, including but not limited to removal and disposal of pavement; furnishing and applying tack coat; furnishing, placing, and compacting of asphalt plant mix; furnishing of asphalt binder for the asphalt plant mix; and furnishing scales.

Any provisions included in the contract in the form of project special provisions or in any other form which provide for adjustments in compensation due to variations in the price of asphalt binder will not be applicable to payment for the work covered by this provision.

The item of "Patching Existing Pavement" will be considered to be a minor item. In the event that the item of "Patching Existing Pavement" overruns the original bid quantity by more than 100 percent, the provisions of Article 104-5 pertaining to revised contract unit price for overrunning minor items will not apply to this item.

RR88

Payment will be made under:

Patching Existing Pavement.....Ton

ADJUSTMENT TO VALVE BOXES, MANHOLES, AND METER BOXES: 2-4-02

Valve boxes, manholes, and meter boxes shall be adjusted in accordance with Section 858 of the Standard Specifications. This item consists of raising or lowering existing manholes and valve boxes to match the finished grade surface grade. **The Contractor will be required to effectively mark the locations of existing manholes and/or valve boxes and meter boxes, to pave over those devices, return after paving operations are completed, and adjust same to finished surface grade.**

Adjustment to manholes, meter boxes, and valve boxes on this project shall be made by the use of an approved **Black Tinted Concrete that will take a full set and become load bearing within sixty minutes of placement**. A list of approved materials will be furnished to the Contractor by the Resident Engineer **upon request**

The Contractor shall replace worn manhole rings and covers, worn meter box frames and covers, and worn valve box frames and covers, as directed by the Engineer, with a new ring/frame and cover assembly. These assemblies will be furnished, at no cost to the Contractor, by the Department or utility owner.

Basis of payment will be under "Adjustment of Manholes", "**Adjustment of Catch Basin**", "**Adjustment of Drop Inlet**". or "Adjustment of Meter Boxes or Valve Boxes", per each.

DRUMS: 07-16-02

Revise the 2002 Standard Specifications as follows:

Page 10-195, Subarticle 1089-5(C)

Delete the first (1st) sentence of the first (1st) paragraph and insert the following:

“Provide a minimum of three orange and two white alternating horizontal circumferential stripes covering the entire outside with each drum.”

RR116

REMOVAL OF EXISTING PAVEMENT MARKERS:

7-1-95

The Contractor's attention is directed to the fact that there are pavement markers on this project.

Remove and dispose of these markers prior to the paving operation.

No direct payment will be made for this work, as it will be incidental to the paving operation and payment at the contract unit price for the various asphalt items in the contract will be full compensation for such work.

RR118

PAVEMENT MARKING GENERAL REQUIREMENTS:

07-16-02

Revise the 2002 Standard Specifications as follows:

Page 12-10, Subarticle 1205-3(J)

Delete the first (1st) sentence of the first (1st) paragraph and insert the following:

“Have at least one member of every pavement marking crew working on a project certified through the NCDOT Pavement Marking Technician Certification Process. For more information contact the Traffic Control, Marking and Delineation Section of the North Carolina Department of Transportation at 919-250-4151 or <http://www.doh.dot.state.nc.us/preconstruct/traffic/congestion/TC/>”

RR119

NOTE TO CONTRACTOR:

1. Notify the Engineer **forty-eight (48) hours** before milling **intersections or any other areas where milling** operations will interfere with the existing Signal Loops.

WBS#: 37881, 37882, 37883, 37884, 37885, 37886, 37887, 37888, 37889, 37890, 37907,
9CR.10801.3, 9CR.20801.3, 9CR.308008.3, 9CR.308010.3, 9CR.308014.3 & 9CR.308015.3

Rowan County

Date: 10-26-2004

Revised:

TRAFFIC CONTROL:

Maintain traffic in accordance with Divisions 11 and 12 of the North Carolina Department of Transportation January 2002 Standard Specifications for Roads and Structures, and the following provisions:

Use a lane closure (refer to North Carolina Department of Transportation January 2002 Highway Design Branch Roadway Standard Drawings Nos. 1101.02, 1101.11, 1110.02, Detail for 1130D01 and details for the Advance Work Zone signing in contract) or a slow-moving operation as shown in details of this contract. Use a moving operation only if the minimum speed maintained at all times is 3 mph with no stops that narrow or close a lane of travel. If the moving operation is progressing slower than 3 mph at any time, install a lane closure. Maintain the existing traffic pattern at all times, except in the immediate work zone where lane closures are allowed as determined by the Engineer.

Refer to Attached Detail(s) and North Carolina Department of Transportation January 2002 Highway Design Branch Roadway Standard Drawings Nos. 1101.02, 1101.03, 1101.04, 1101.05, 1101.07, 1101.11, 1110.01, 1110.02, 1115.01, 1135.01, 1145.01, 1150.01, 1165.01 and 1170.01 when closing a lane of travel in a stationary work zone such as pavement patching resurfacing, or pavement marking removal, etc. Properly ballasted cones may be used instead of drums for lane closures during daylight hours. The stationary work zone shall be a maximum of 3 miles in length at any given time unless otherwise directed by the Engineer. A "pilot vehicle" operation may be used in conjunction with flaggers and the appropriate pilot vehicle warning signing as directed by the Engineer. During periods of construction inactivity, return the traffic pattern to the existing alignment and remove or cover any work zone signs. When covering work zone signs, use an opaque material that prevents reading of the sign at night by a driver using high beam headlights. Use material, which does not damage the sign sheeting. Replace any obliterated markings as required by other sections of the Specifications and the Engineer.

When personnel and/or equipment are working on the shoulder adjacent to an undivided facility and within 5 feet of an open travel lane, close the nearest open travel lane using Roadway Standard Drawing No. 1101.02 unless the work area is protected by barrier or guardrail. When personnel and/or equipment are working on the shoulder, adjacent to a divided facility and within 10 feet of an open travel lane, close the nearest open travel lane using Roadway Standard Drawing No. 1101.02 unless the work area is protected by barrier or guardrail. When personnel and/or equipment are working within a lane of travel of an undivided or divided facility, close the lane according to the traffic control plans, roadway standard drawings or as directed by the Engineer. Conduct the work so that all personnel and/or equipment remain within the closed travel lane. Do not work simultaneously, on both sides of an open travel way, within the same

location, on a two-lane, two-way road. Do not perform work involving heavy equipment within 15 feet of the edge of travel way when work is being performed behind a lane closure on the opposite side of the travel way.

The maximum acceptable difference in elevation between open lanes of travel is 1.5 inches. The maximum acceptable edge of pavement drop-off is 2 inches. Backfill at a 6:1 slope up to the edge and elevation of existing pavement in areas adjacent to an open travel lane if the drop-off exceeds 2 inches at no expense to the Department.

When utilizing a slow-moving operation for such items as pavement marking placement, pavement marker installation and pesticide spraying, the slow moving operation caravan shall consist, as a minimum, of the vehicles and devices shown on the Moving Operation Caravan Detail(s) herein. Traffic cones may be used when necessary to provide additional protection of wet pavement markings. Ballast all traffic cones so they will not be blown over by traffic.

Notify the Engineer **seven (7) consecutive calendar days** before milling or resurfacing will interfere with the existing Signal Loops. Loops may need to be placed in milled surface before resurfacing occurs. Coordinate all signal loop operations with the Engineer.

Notify the Engineer fifteen (15) consecutive calendar days before resurfacing a bridge or its approaches. Patch and make repairs to bridge surface and its approaches before resurfacing occurs. Coordinate all operations on the bridge and its approaches with the Engineer.

Notify the Engineer forty-eight (48) hours before resurfacing the areas of existing pavement that require patching. Patch these areas before resurfacing occurs. Coordinate the resurfacing operations of the patched areas with the Engineer

During a resurfacing only operation, bring all newly resurfaced lanes to the same elevation within 72 hours.

For partial or “wheel track” milling operations on two-way, two-lane facilities, mill and pave back by the end of each work day. For partial or “wheel track” milling operations on multi-lane facilities, the lane being milled may be left closed and paved back within 72 hours.

The following options are acceptable during Resurfacing/milling operations on two-way, two-lane facilities when the entire roadway or entire lane is to be milled:

- 1) Mill a single lane and pave back **within 72 hours.**
- 2) Mill the entire width of roadway and pave back within 72 hours.

The following options are available during Resurfacing/milling operations on multi-lane facilities when all lanes or a single lane in one direction are to be milled:

- 1) Mill the entire width of pavement for all lanes to be milled in any given direction daily and pave back within 72 hours.

- 2) Mill a single lane and pave back **within 72 hours**.
- 3) Mill a single lane, leave a lane closure in and pave back within 72 hours.

Slope the pavement at the beginning and ending of the daily milling operation as directed by the Engineer. Sweep and remove all milled material from the roadway as soon as the daily milling operation is completed. Maintain all accesses where milling is conducted using suitable backfill material approved by the Engineer. Continue milling operations until the particular section of roadway being milled is complete.

Operate equipment and conduct operations in the same direction as the flow of traffic. Do not cross medians with equipment, except at properly designated interchanges.

Provide appropriate lighting in accordance with Section 1413 of the North Carolina Department of Transportation January 2002 Standard Specifications for Roads and Structures when electing to perform paving at night at no expense to the Department.

Remove existing pavement markers in preparation for paving. Repair any pavement damage due to existing pavement marker removal **before resurfacing**. Dispose of existing pavement markers as directed by the Engineer.

No direct payment will be made for the signing and traffic control items including Truck Mounted Impact Attenuators (TMIA – see Section 1165 of the NCDOT January 2002 Standard Specifications for Roads and Structures and January 2002 Highway Design Branch Roadway Standard Drawings). This work will be considered incidental to the various other bid items in the Contract.

R-1Revised

PROJECT SPECIAL PROVISIONS**Traffic****WORK ZONE SIGNING:**

09-16-03

1- DESCRIPTION.

Install and maintain signing in accordance with Divisions 11 and 12 of the North Carolina Department of Transportation January 2002 Standard Specifications for Roads and Structures, the North Carolina Department of Transportation January 2002 Highway Design Branch Roadway Standard Drawings and the following provisions:

Furnish, install, maintain, and remove advance warning work zone signs and any required lane closure signing.

Furnish, install, and maintain general work zone warning signs for resurfacing and/or milling such as "Rough Road" (W8-8 at 48" X 48") (for milling only), "Uneven Pavement" (W8-15 at 48" X 48"), "Low Shoulder" (W8-9 at 48" X 48"), "Low / Soft Shoulder" (W8-9B at 48" X 48"), "Unmarked Pavement Ahead" (W16-10 at 48" X 48"), and "Do Not Pass"(R4-1 at 24" X 30". When construction is completed in any given area of the project, relocate signs to the next work site, as directed by the Engineer. Remove these signs at the completion of the project.

All work zone signs may be portable.

2- CONSTRUCTION METHODS.**(A) General:**

Install all warning work zone signs before beginning work on a particular map. If signs are installed three days prior to the beginning of work on a particular map, cover the signs until the work begins. Install each work zone warning sign separately and not on the same post(s) with any other sign except where an advisory speed plate or directional arrow is used.

(B) Advance warning work zone signs:

Install advance warning work zone signs (see attached Detail(s) and North Carolina Department of Transportation January 2002 Highway Design Branch Roadway Standard Drawings Nos. 1101.02 and 1110.01) prior to beginning of work and remove upon final completion of the project. If there is a period of construction inactivity longer than two weeks, remove or cover advance warning work zone signs. Uncover advance warning work zone signs no more than 3 days before work resumes. All other operations could be suspended upon failure to comply with the above requirements. Such suspended operations would not be resumed until the above requirements are fulfilled.

(C) Lane closure work zone signs:

Install any required lane closure signing needed during the life of the project (see North Carolina Department of Transportation January 2002 Highway Design Branch Roadway Standard Drawings Nos. 1101.02, 1101.11 and 1110.02).

(D) General work zone warning signs:

Install general work zone warning signs for resurfacing and/or milling such as "Rough Road" (W8-8 at 48" X 48") (for milling only), "Uneven Pavement" (W8-15 at 48" X 48"), "Low Shoulder" (W8-9 at 48" X 48") and "Low / Soft Shoulder" (W8-9B at 48" X 48") at 1 mile intervals starting at a minimum of 500 feet in advance of the condition for both directions of travel (undivided roadways only) and at any other points determined by the Engineer.

Install the "Low Shoulder" (W8-9 at 48" X 48") or "Low / Soft Shoulder" (W8-9B at 48" X 48") signs prior to any resurfacing in an area where shoulder construction will be performed. Install general work zone warning signs such as "Unmarked Pavement Ahead" (W16-10 at 48" X 48") and "Do Not Pass"(R4-1 at 24" X 30") alternately at 1/2 mile intervals starting at a minimum of 500 feet in advance of the condition for both directions of travel (undivided roadways only) and at any other points determined by the Engineer. Install signs prior to the obliteration of any pavement markings. Remove these signs at the completion of the project.

3- BASIS OF PAYMENT.

No direct payment will be made for Work Zone Signing as such work will be considered incidental to the various other bid items in the Contract.

R-3

WBS#: 37881, 37882, 37883, 37884, 37885, 37886, 37887, 37888, 37889, 37890, 37907,
9CR.10801.3, 9CR.20801.3, 9CR.308008.3, 9CR.308010.3, 9CR.308014.3 & 9CR.308015.3
Rowan County
Date: 10-26-2004
Revised:

**TIME LIMITATION FOR PLACEMENT AND REPLACEMENT
OF PAVEMENT MARKINGS AND MARKERS COMPLETED BY CONTRACTORS
ON NEWLY RESURFACED AREAS**

MARKING BY CONTRACTOR: DIVIDED AND MULTI-LANE FACILITIES

For all Interstate highways and access ramps, place all markings including symbols and legends, by the end of each workday's operation.

For all divided and multi-lane facilities, place all center line and lane line markings and railroad and school symbols by the end of each workday's operation. Place all edge lines, gore lines, and other symbols within 3 calendar days after they have been obliterated by the resurfacing operation.

A Multi-lane facility is defined as any roadway having more than two lanes to include a two-lane/two-way with a center two-way left turn lane.

MARKING BY CONTRACTOR: TWO-LANE, TWO-WAY FACILITIES

For all two-lane, two-way facilities, place all center line markings, railroad and school symbols within 5 calendar days after they have been obliterated by the resurfacing operation. Place all edge lines and other symbols within 30 calendar days after they have been obliterated by the resurfacing operation.

MARKING BY CONTRACTOR: ALL FACILITIES

Place two applications of paint on newly resurfaced asphalt which will remain in place over three (3) months. Place the second application of paint upon ample drying time of the first, as determined by the Engineer.

MARKERS BY CONTRACTOR: ALL FACILITIES

Install permanent pavement markers within sixty (60) calendar days after completing the resurfacing on each map.

R-4Revised

WBS#: 37881, 37882, 37883, 37884, 37885, 37886, 37887, 37888, 37889, 37890, 37907,
9CR.10801.3, 9CR.20801.3, 9CR.308008.3, 9CR.308010.3, 9CR.308014.3 & 9CR.308015.3

Rowan County

Date: 10-26-2004

Revised:

USE IN CONJUNCTION WITH 2002 STANDARD SPECIFICATIONS

THE FOLLOWING ROADWAY STANDARDS DRAWINGS AS THEY APPEAR IN THE "HIGHWAY DESIGN BRANCH ROADWAY STANDARD DRAWINGS" - ROADWAY DESIGN UNIT - N.C. DEPARTMENT OF TRANSPORTATION - RALEIGH, N.C., DATED JANUARY, 2002 AND THE LATEST REVISIONS THERETO ARE APPLICABLE TO THIS PROJECT AND BY REFERENCE HEREBY ARE CONSIDERED A PART OF THESE PLANS:

STANDARD PAVEMENT MARKINGS

ROADWAY STANDARD DRAWINGS: 1205.01, 1205.02, 1205.03, 1205.04, 1205.05,
1205.06, 1205.07, 1205.08, 1205.09, 1205.10,
1205.11, 1205.12

SNOWPLOWABLE PAVEMENT MARKERS

ROADWAY STANDARD DRAWINGS: 1250.01, 1253.01

WBS#: 37881, 37882, 37883, 37884, 37885, 37886, 37887, 37888, 37889, 37890, 37907,
9CR.10801.3, 9CR.20801.3, 9CR.308008.3, 9CR.308010.3, 9CR.308014.3 & 9CR.308015.3
Rowan County
Date: 10-26-2004
Revised:

PROJECT SPECIAL PROVISIONS- "NORTH CAROLINA MOVING AHEAD"

DESCRIPTION.

The Department will furnish **and install** the North Carolina Moving Ahead (NCMA) logo signs as shown on the attached drawings. These signs will be left in place at the completion of the project. At such time as the Division Engineer or Chief Engineer decides they should be removed, Division forces will remove the NCMA logo signs and will stockpile them for future disposition. The NCMA signs and supports shall remain the property of NCDOT.

The Contractor shall have a sign fabricated with the name of his company, which will be mounted under the NCMA logo sign. These signs may remain in place after the completion of the project or the Contractor may remove them after final project acceptance if he/she chooses. These signs are the property of the Contractor.

The Contractor shall furnish all material, labor, hardware and supports necessary to erect the Prime Contractor's name signs. There will only be one set of NCMA logo and Prime Contractor name signs in each direction on the mainline unless the Division identifies extenuating circumstances. These signs shall be erected prior to any work beginning on the project and shall not be installed more than three days prior to the beginning of work. After construction begins, any inactivity longer than 7 days will require the Contractor to cover the NCMA signing. All material, hardware, supports, and labor necessary to install these signs shall be incidental to other items in the contract.

All other required standard work zone signs are to be provided as described in Section 1110 of the 2002 Standard Specifications and the attached drawing.

All required traffic control devices are to be provided as required by the 2002 North Carolina Specifications and 2002 Roadway Standard Drawings. The cost of Traffic Control signing and devices will be incidental to other items in the contract.

MATERIALS.

The materials for the Contractor's Company name sign and standard work zone signing shall meet the requirements of Article 1110 of the 2002 Standard Specifications.

The sign sheeting for the Contractor's Name Sign shall be black on orange Type I (Engineer's Grade) with 4" C Copy lettering. In such cases where the name of the

Contractor with 4" C Copy lettering exceeds the maximum 60" width of the sign, the size of the letters are to be reduced to meet this maximum 60" width requirement.

CONSTRUCTION METHODS.

The provision of Article 1110-3 of the 2002 Standard Specifications will be apply to this special provision.

MAINTENANCE

The provisions of Article 1110-4 of the 2002 Standard Specifications will apply to this special provision. Maintenance for the NCMA signs will end upon final acceptance of the project.

METHOD OF MEASUREMENT

There will be no measurement for the quantity of Contractor's Company name signs. These will be incidental to the other items in the contract.

There will be no measurement for the quantity of standard work zone signs or traffic control devices. Each of these will be incidental to the other items in the contract.

BASIS OF PAYMENT.

There will be no payment for the Contractor's Company name signs as these signs will be incidental to the cost of other items in the contract.

There will be no payment for the standard work zone signs or traffic control devices. Each of these will be incidental to the other items in the contract.

REVISED

GENERAL NOTES

- (1) THE FOLLOWING OPTIONS MAY BE USED AS ADVANCE WARNING SIGNS:
 - A. TRUCK MOUNTED ADVANCE WARNING SIGNS
 - B. MOVING CHANGEABLE MESSAGE SIGN (CMS)
 - C. GROUND MOUNTED ADVANCE WARNING SIGNS (MUST USE 'NEXT 10 MILES' AND MAKE CIRCLE TO PICK UP SIGNS)
 - D. STATIONARY CHANGEABLE MESSAGE SIGN (CMS) (MUST USE 'NEXT 10 MILES' AND MAKE CIRCLE TO PICK UP CMS)
- (2) ADDITIONAL VEHICLES SHOULD BE USED IN WORK CARAVAN TO FACILITATE DRYING OF PAVEMENT MARKING MATERIAL - THIS IS AN OPTIONAL ON THESE ADDITIONAL VEHICLES. HOWEVER, THE FIRST VEHICLE MOTORISTS SEE SHOULD HAVE A T.M.A.
- (3) ROUND UP MILEAGE TO NEXT WHOLE MILE. WORK ZONE SHOULD NOT EXCEED TEN (10) MILES IN LENGTH.
- (4) DISTANCE BETWEEN APPLICATION VEHICLE AND PROTECTION VEHICLE WILL VARY AS DRYING TIMES VARY, HOWEVER, THE CRITICAL FACTOR IS PASSING MOTORISTS. IF THE GAP BETWEEN VEHICLES IS TOO GREAT, MOTORISTS WILL ATTEMPT TO PASS AND ULTIMATELY APPEAR IN THE MIDDLE OF THE OPERATION.
- (5) MOUNTING HEIGHT DIMENSIONS FROM ROADWAY TO SIGN SHOULD BE A MINIMUM OF FIVE (5) FEET FOR INTERSTATES, OTHER HIGH VOLUME ROADWAYS, OR ROADWAYS THAT MAY REQUIRE MOUNTING HEIGHT OF FIVE (5) FEET FOR INCREASED VISIBILITY AND A MINIMUM OF ONE (1) FOOT FOR ALL OTHER ROADWAYS.
- (6) SIGN SPACING SHOULD BE ADJUSTED FOR HORIZONTAL AND VERTICAL CURVES, ETC. TO IMPROVE SIGHT DISTANCES.

- (7) SIGN W26-1BSP OR R4-7A SHOULD BE PLACED ON FRONT OF APPLICATION VEHICLE AND SIGN W26-1BSP OR INFORMATIONAL SIGN ON BACK OF PROTECTION VEHICLE IN TWO-LANE TWO-WAY TRAFFIC SO VEHICLES APPROACHING FROM FRONT AND REAR ARE NOTIFIED OF OPERATION.
- (8) RADIO COMMUNICATION BETWEEN VEHICLES IS RECOMMENDED.
- (9) USE OF A LIGHT BAR ON THE ADVANCE WARNING VEHICLE IS PREFERRED, BUT A ROTATING BEACON MAY BE USED INSTEAD.
- (10) USE OF A CMS WITH ADVANCED WARNING VEHICLES IS OPTIONAL.
- (11) IF WORK IS PERFORMED AT NIGHT, THE FOLLOWING PROVISIONS MUST BE MADE:
 - A. GROUND MOUNTED SIGNS MUST HAVE TYPE B FLASHING LIGHTS ATTACHED (TRUCK MOUNTED SIGNS DO NOT REQUIRE TYPE B FLASHING LIGHTS)
 - B. OPERATION MUST INCLUDE A CHANGEABLE MESSAGE SIGN (CMS)
 - C. WORK AREA MUST BE ILLUMINATED WITH MACHINE AND/OR TOWER LIGHTS AS APPROVED BY THE ENGINEER.
- (12) USE A TYPE "B" FLASHING ARROW PANEL.

IF A LEAD VEHICLE IS ADDED TO OPERATION, IT SHOULD HAVE THE SAME ADVANCE WARNING SIGNS AS THE APPLICATION VEHICLE SHOWN BELOW.

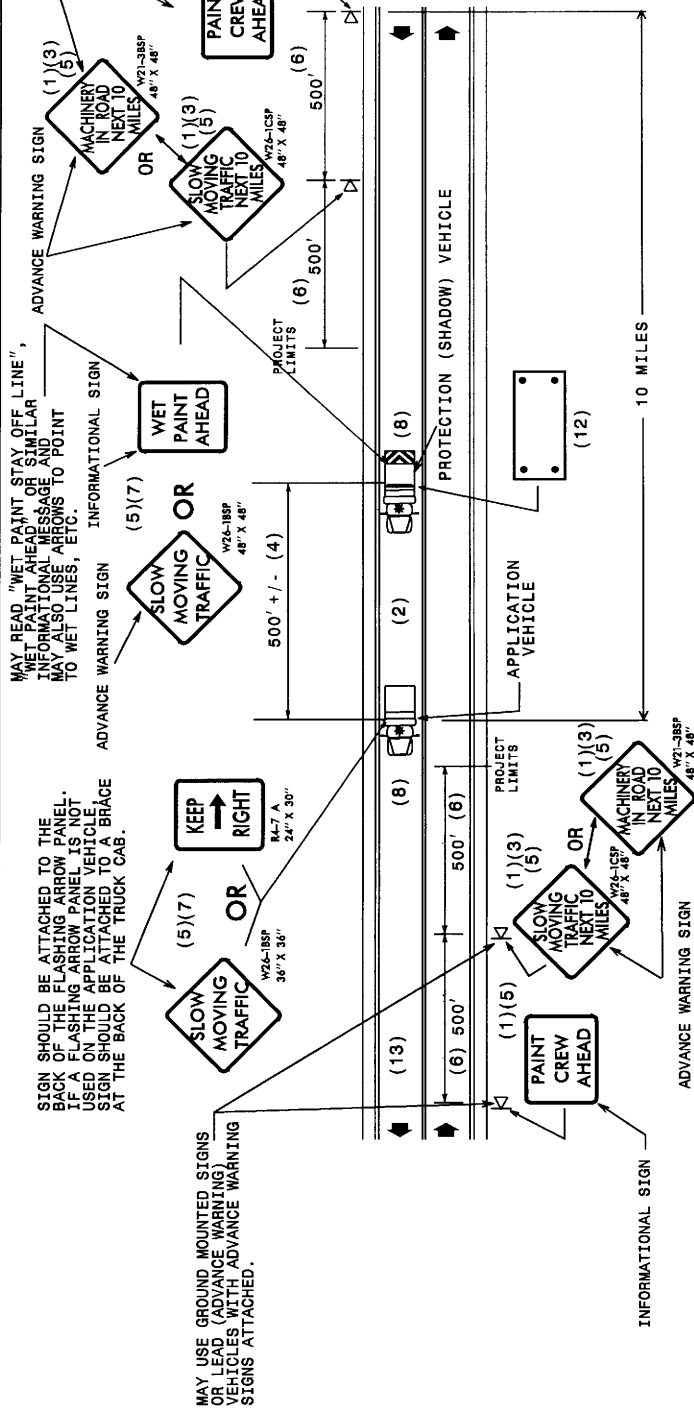
LEGEND

- K PORTABLE SIGN
- ➔ DIRECTION OF TRAFFIC FLOW
- ☐ APPLICATION VEHICLE WITH ROTATING BEACON
- ☐ PROTECTION VEHICLE WITH TRUCK MOUNTED ADVANCE WARNING SIGN (T.M.A.) (SEE ROADWAY STANDARD NO. 1165.01)
- ☐ FLASHING ARROW PANEL, TYPE "B"
- ☐ CAUTION MODE

MAY BE SIGNS OR CMS AND EITHER GROUND MOUNTED OR TRUCK MOUNTED

MAY READ "WET PAINT STAY OFF LINE", "WET PAINT AHEAD" OR SIMILAR MESSAGE. THIS MESSAGE SHOULD ALSO BE ATTACHED TO WET LINES, ETC.

MAY READ "WET PAINT AHEAD" ("PAINT CREW AHEAD" OR SIMILAR INFORMATIONAL MESSAGE) AND "SLOW MOVING TRAFFIC" OR "NEXT 10 MILES" TO WET LINES, ETC.



NOTE:

ALL ADVANCE WARNING SIGNS MUST BE 48" X 48" BLACK ON ORANGE.

INFORMATIONAL SIGNS MAY BE PLACED ON EITHER SIDE OF THE ROAD. THERE IS NO MINIMUM AREA FOR THESE SIGNS. HOWEVER, GOOD JUDGEMENT SHOULD BE USED SO THAT MOTORISTS CAN SEE THE SIGNS WHILE TRAVELING 60-65 MPH.

MOVING OPERATION CARAVAN
(OPERATIONS TRAVELING 3 MPH OR FASTER)
PLACING MARKING OR MARKERS ON TWO-LANE TWO-WAY ROADWAYS

DRAWING NUMBER 6
IMPLEMENTATION DATE: 07/01/97
REVISED: 04/25/97

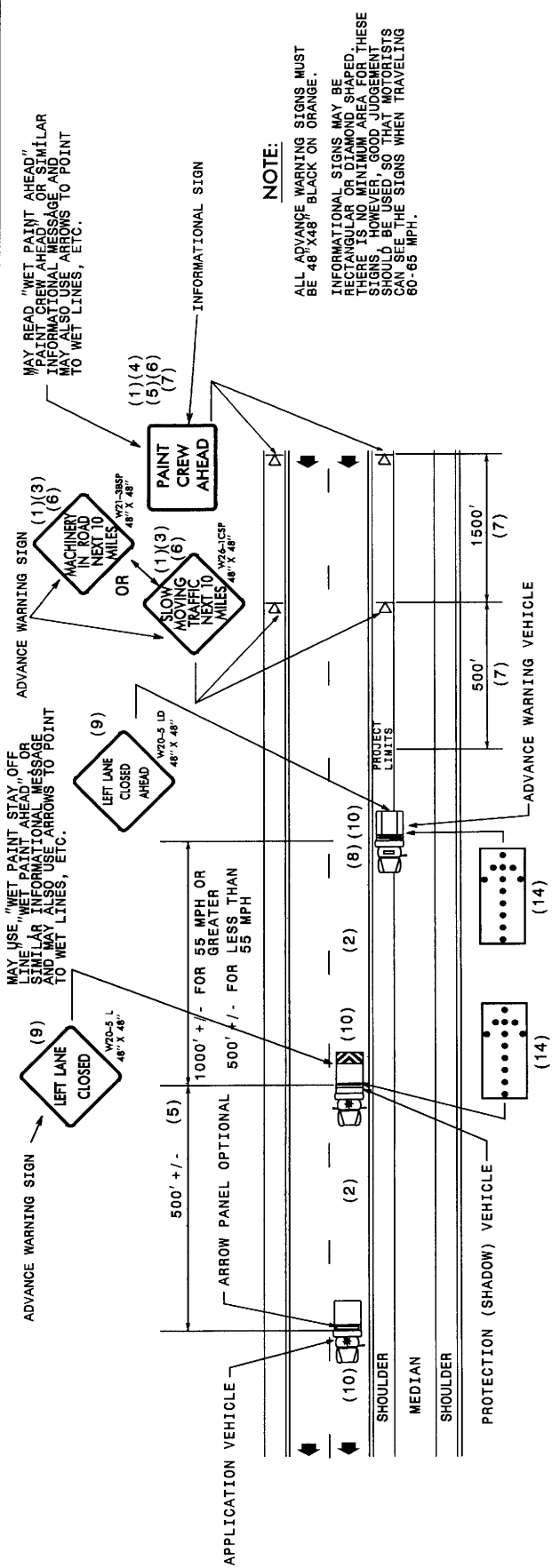
GENERAL NOTES

- (1) THE FOLLOWING OPTIONS MAY BE USED FOR ADVANCE WARNING SIGNS:
 - A. TRUCK MOUNTED ADVANCE WARNING SIGNS
 - B. TRUCK MOUNTED CHANGEABLE MESSAGE SIGN (CMS)
 - C. GROUND MOUNTED ADVANCE WARNING SIGNS (MUST USE 'NEXT 10 MILES' AND CIRCLE TO PICK UP SIGNS)
 - D. GROUND MOUNTED CHANGEABLE MESSAGE SIGN (CMS) (MUST USE 'NEXT 10 MILES' AND CIRCLE TO PICK UP CMS)
- (2) ADDITIONAL VEHICLES SHOULD BE USED IN WORK CARAVAN TO FACILITATE DRYING OF PAVEMENT MARKING MATERIAL - TMA'S ARE OPTIONAL ON THESE ADDITIONAL VEHICLES. HOWEVER, THE FIRST VEHICLE MOTORISTS SEE SHOULD HAVE A TMA.
- (3) ROUND UP MILEAGE TO NEXT WHOLE MILE. WORK ZONE SHOULD NOT EXCEED TEN (10) MILES IN LENGTH.
- (4) SIGNS SHOULD BE ACTIVITY SPECIFIC I.E., PAINT CREW AHEAD (W21-001 C 48 X48")
- (5) DISTANCE BETWEEN APPLICATION VEHICLE AND PROTECTION VEHICLE WILL VARY AS DRIVING TIMES VARY. HOWEVER, THE CRITICAL FACTOR IS PASSING MOTORISTS IN THE GAP BETWEEN VEHICLES IS TOO GREAT. MOTORISTS WILL ATTEMPT TO PASS AND ULTIMATELY APPEAR IN THE MIDDLE OF THE OPERATION.
- (6) MOUNTING HEIGHT DIMENSIONS FROM ROADWAY TO SIGN SHOULD BE A MINIMUM OF FIVE (5) FEET FOR INTERSTATES, OTHER HIGH VOLUME ROADWAYS, OR ROADWAYS THAT MAY REQUIRE A MOUNTING HEIGHT OF FIVE (5) FEET FOR INCREASED VISIBILITY AND A MINIMUM OF ONE (1) FOOT FOR ALL OTHER ROADWAYS.
- (7) SIGN SPACING SHOULD BE ADJUSTED FOR HORIZONTAL AND VERTICAL CURVES, ETC. TO IMPROVE SIGHT DISTANCES.

LEGEND

- K PORTABLE SIGN
- ➔ DIRECTION OF TRAFFIC FLOW
- ☐ APPLICATION VEHICLE WITH ROTATING BEACON
- ☐ PROTECTION VEHICLE WITH TRUCK MOUNTED IMPACT ATTENUATOR (TMA) AND ROTATING BEACON (SEE ROADWAY STANDARD NO. 1166-01)
- ☐ PICKUP TRUCK WITH MOUNTED SIGN
- ⋮ FLASHING ARROW PANEL TYPE "B" APPROPRIATE DIRECTION INDICATED

| PANEL TYPE | MIN. SIZE |
|------------|-----------|
| B | 60" X 30" |



NOTE:

ALL ADVANCE WARNING SIGNS MUST BE 48" X 48" BLACK ON ORANGE. INFORMATIONAL SIGNS MAY BE RECTANGULAR OR DIAMOND SHAPED. THERE IS NO MINIMUM AREA FOR THESE SIGNS. HOWEVER, GOOD JUDGEMENT SHOULD BE USED SO THAT MOTORISTS CAN SEE THE SIGNS WHEN TRAVELING 60-65 MPH.

MOVING OPERATION CARAVAN
 (OPERATIONS TRAVELING 3 MPH OR FASTER)
PLACING PAVEMENT MARKING OR MARKERS ON INTERSTATE & MULTILANE DIVIDED ROADWAYS

DRAWING NUMBER 7
 IMPLEMENTATION DATE: 07/01/97
 REVISED: 04/25/97