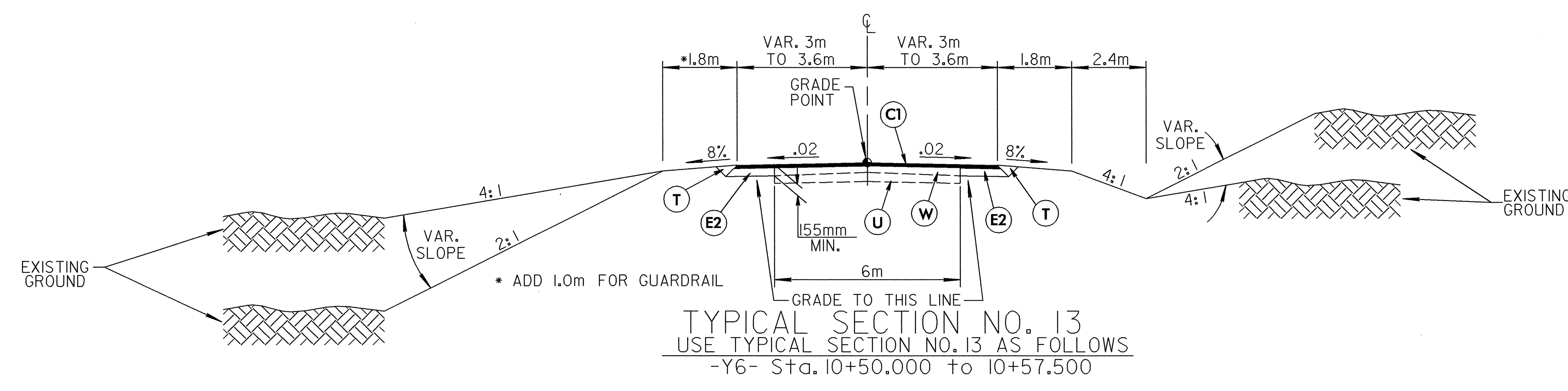
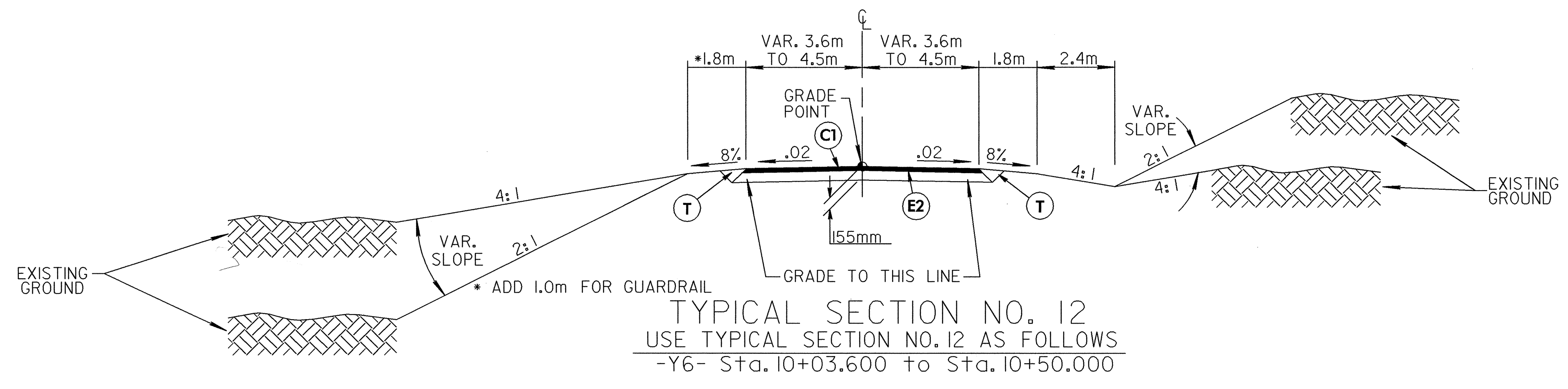
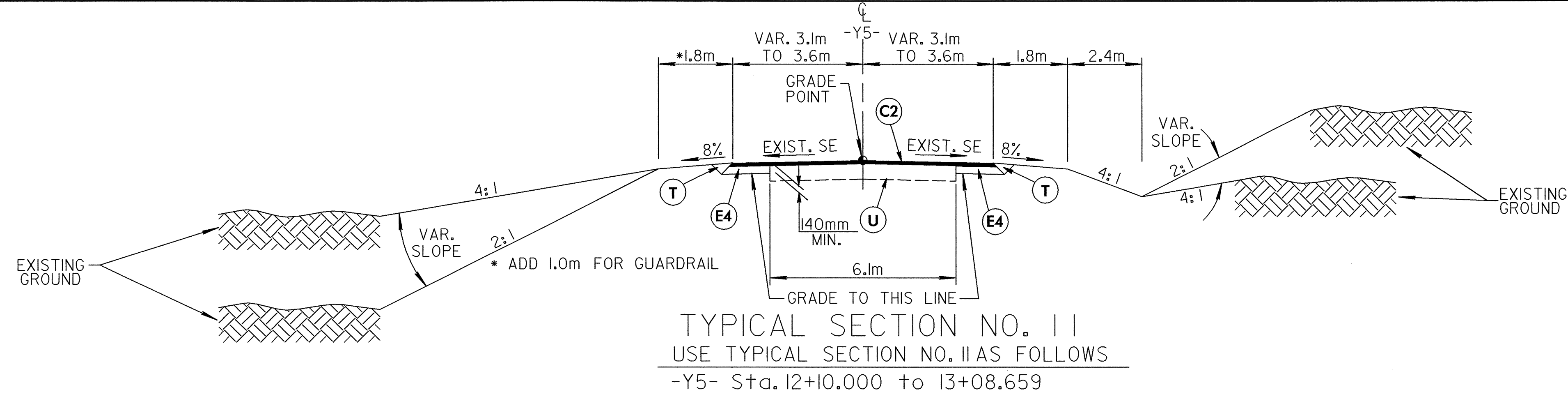
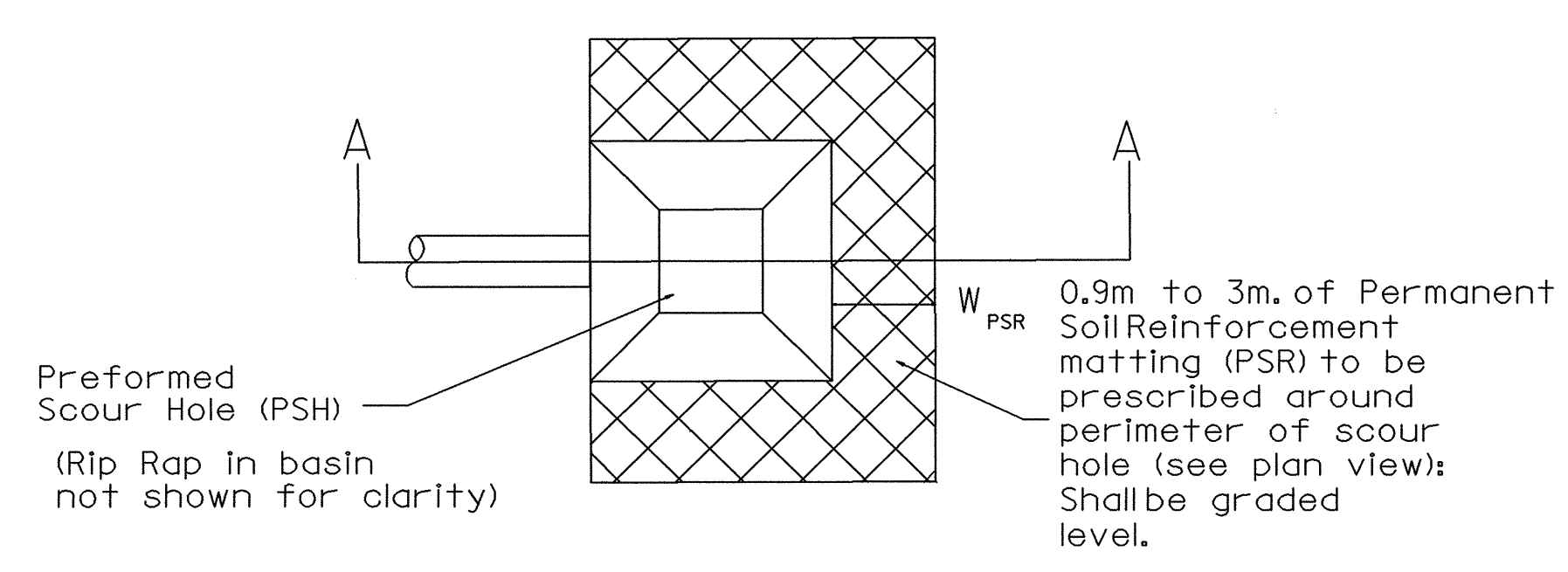


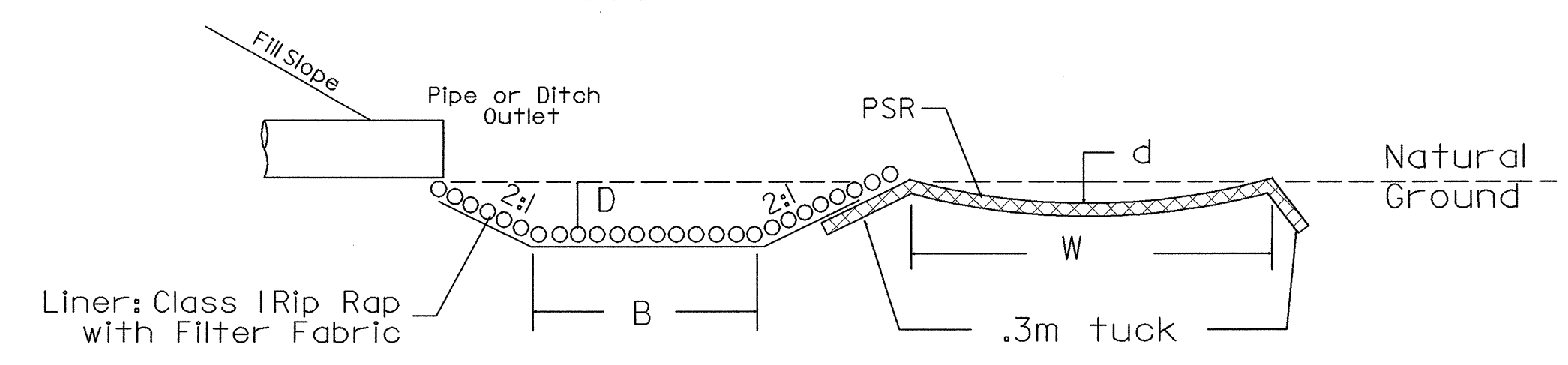
PROJECT REFERENCE NO. R-3303	SHEET NO. 2C
ROADWAY DESIGN ENGINEER WANG ENGINEERING CO., INC. 15200 WESTON PARKWAY SUITE 101 CARY, NC 27513	PAVEMENT DESIGN ENGINEER WANG ENGINEERING CO., INC. 15200 WESTON PARKWAY SUITE 101 CARY, NC 27513



**PREFORMED SCOUR HOLE**  
(Not to scale)



**Section A-A**



NOTE: "B" denotes size of basin;  
For example: 1.5m x 1.5m PSH, B=1.5

NOTE: The Permanent Soil Reinforcement matting (PSR) shall be seeded with native grasses at installation.

STATION	B M	D M	W <sub>PSR</sub> M	d M
14+00 -L- LT.	1.2	0.45	0.9	0.3
14+73 -L- LT.	1.2	0.45	0.9	0.3
34+60 -L- LT.	1.2	0.45	0.9	0.3
35+15 -L- LT.	1.4	0.45	0.9	0.3