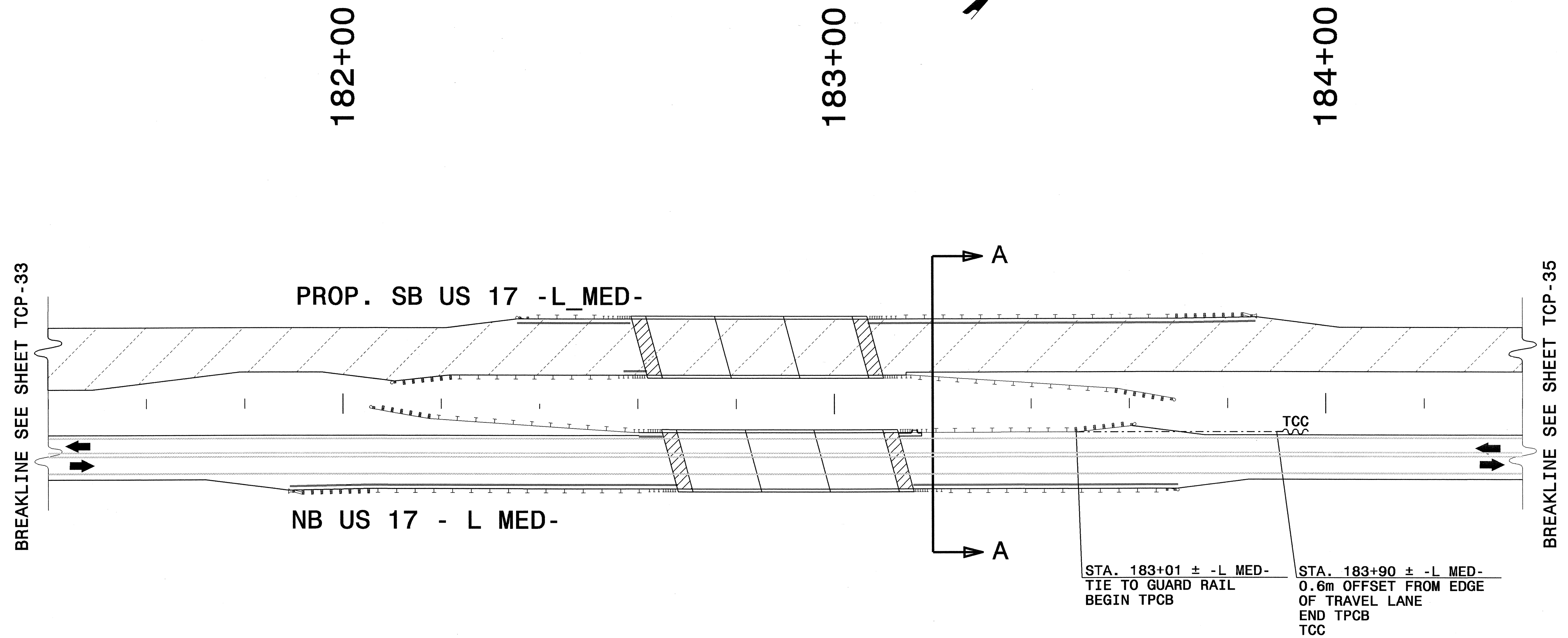


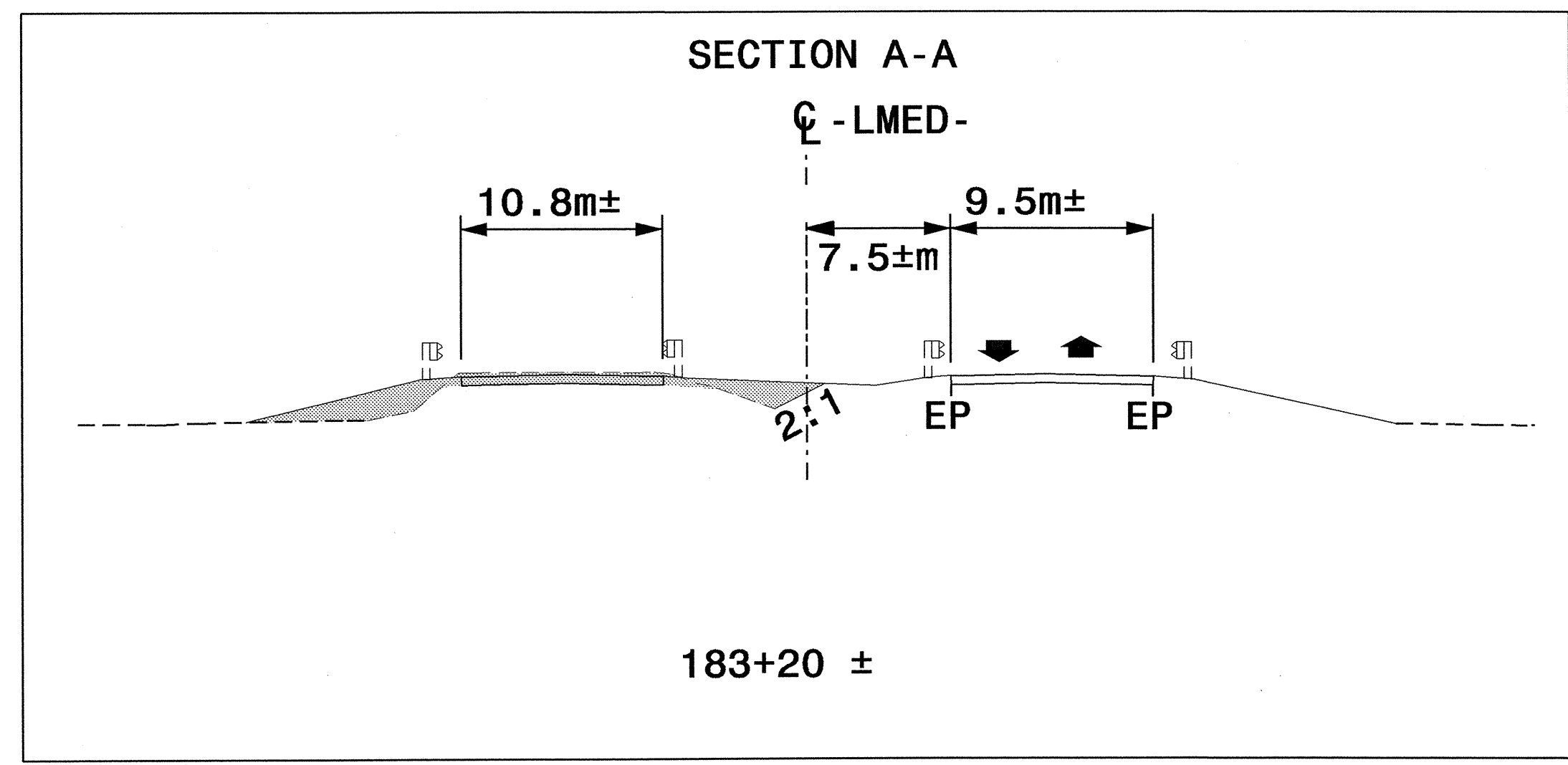


PROJ. REFERENCE NO.	SHEET NO.
R-2514A	TCP-34



STA. 183+01 ± -L MED-
TIE TO GUARD RAIL
BEGIN TPCB

STA. 183+90 ± -L MED-
0.6m OFFSET FROM EDGE
OF TRAVEL LANE
END TPCB
TCC



LEGEND

	REMOVAL OF EXISTING PAVEMENT
	PROPOSED CONSTRUCTION
	TEMPORARY PAVEMENT
	WEDGING & WIDENING

APPROVED:	DATE:	PHASE II DETAIL	
		DATE: 11/18/03	
DWG. BY: KWD			
DESIGN BY: KWD			
REVIEWED BY: JHJ			

I7-NOV-2003 09:27
 O:\CAD\2004\CH001\R-2514A\TrafficControl\TCP\R-2514A_TC_TCP34.dgn
 williams AT WILLIAMS