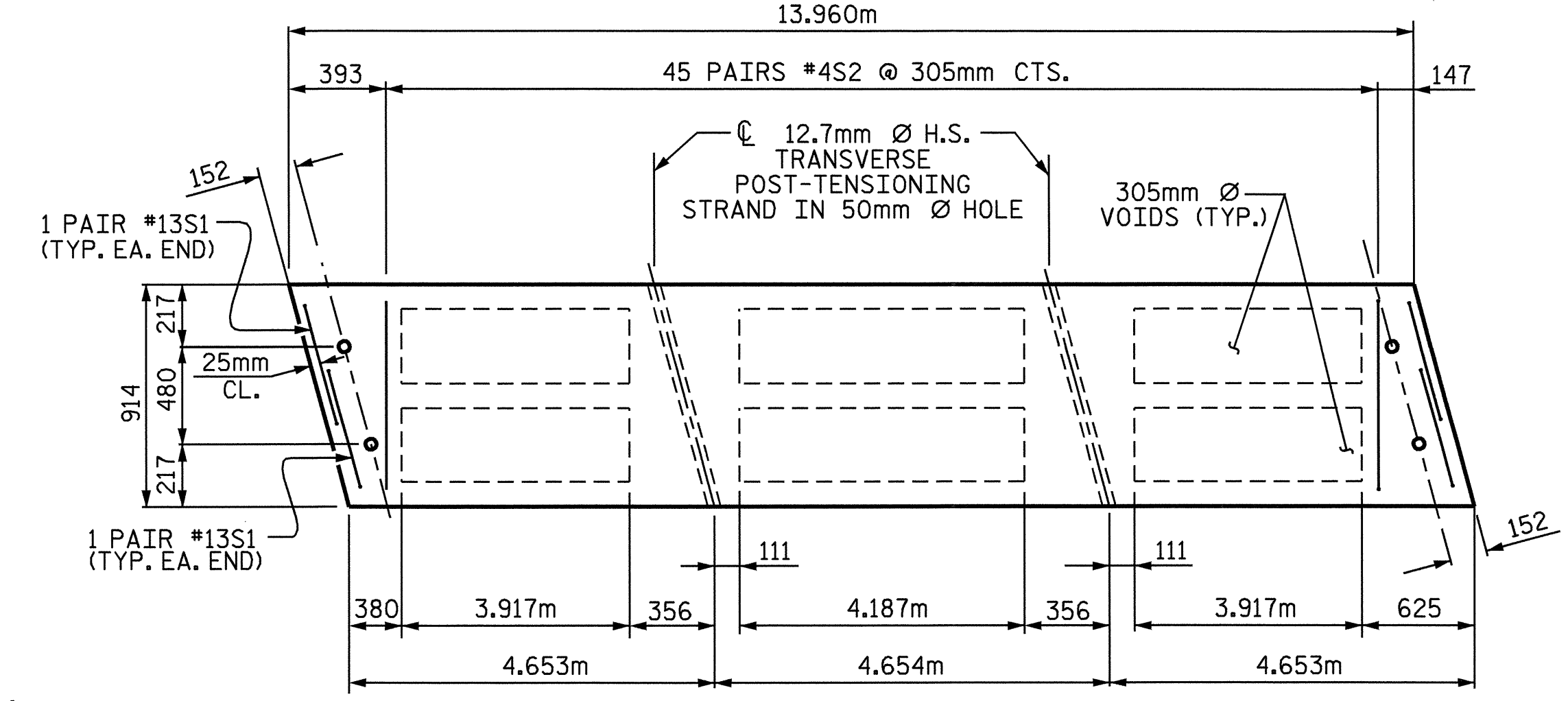
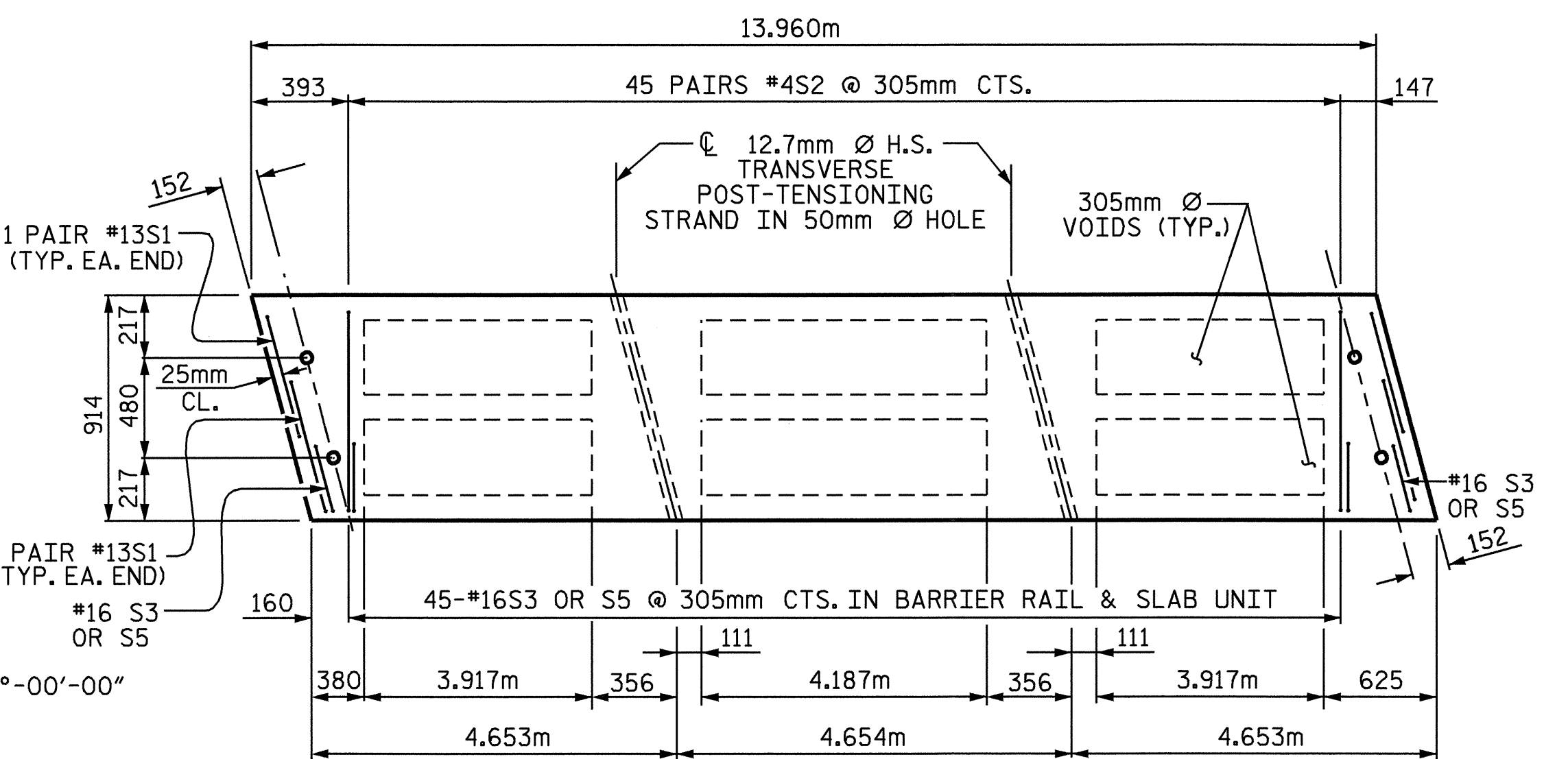


PLAN OF SPAN "B"

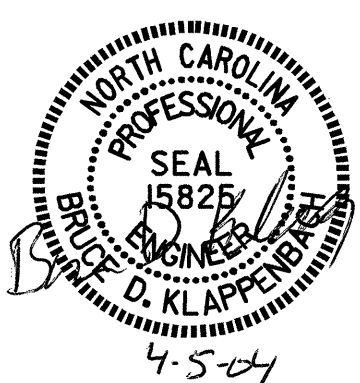


PLAN OF INTERIOR CORED SLAB UNIT



PLAN OF EXTERIOR CORED SLAB UNIT

DRAWN BY : M. G. SHAIKH DATE : 3-9-03
CHECKED BY : D. A. GLADDEN DATE : 4-28-03



PROJECT NO. R-2514A
ONSLow COUNTY
STATION: 182+87.400-L-MED

SHEET 3 OF 5

STATE OF NORTH CAROLINA DEPARTMENT OF TRANSPORTATION RALEIGH					
SUPERSTRUCTURE PLAN OF SPAN "B" (LEFT LANE)					
REVISIONS					
NO.	BY:	DATE:	NO.	BY:	DATE:
1			3		
2			4		
					SHEET NO. S-6
					TOTAL SHEETS 46

STR. #1