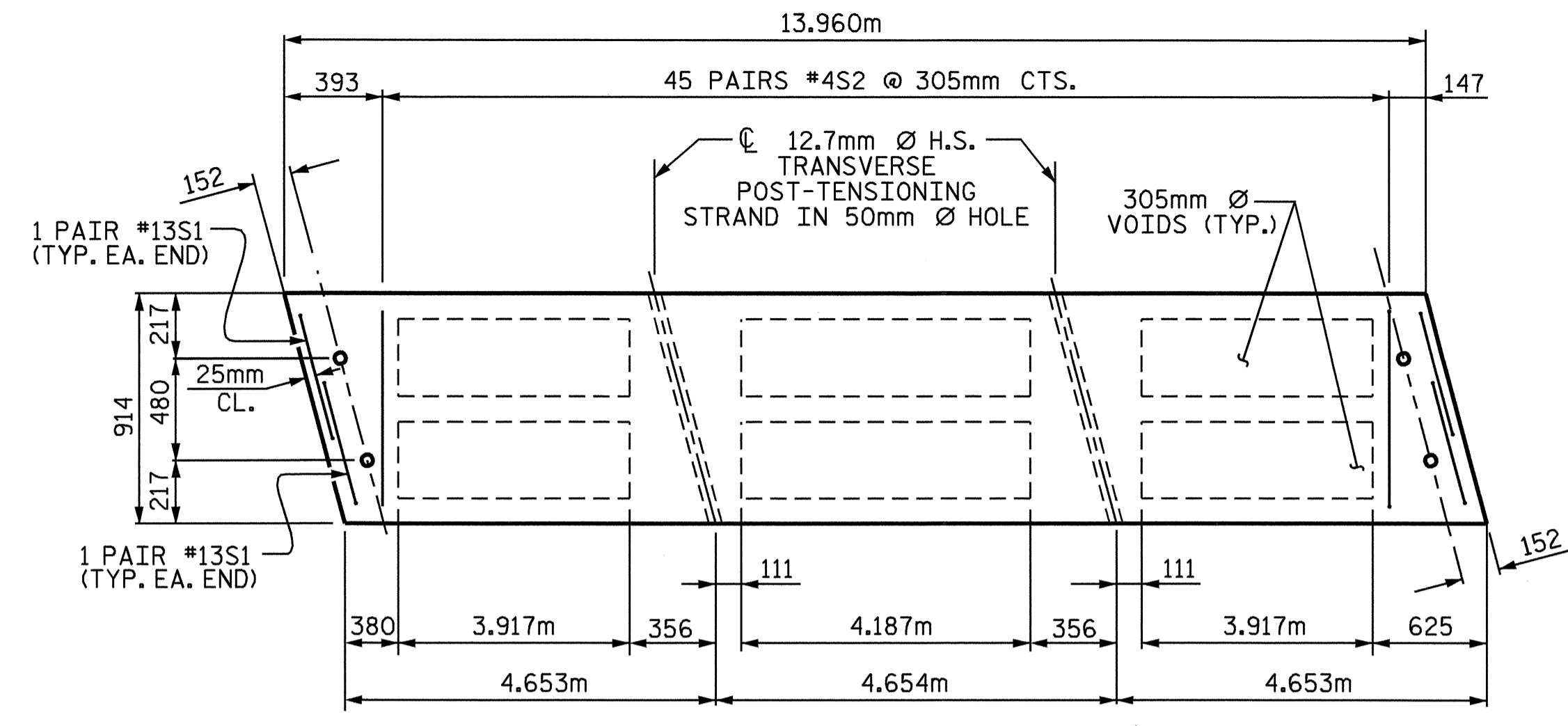
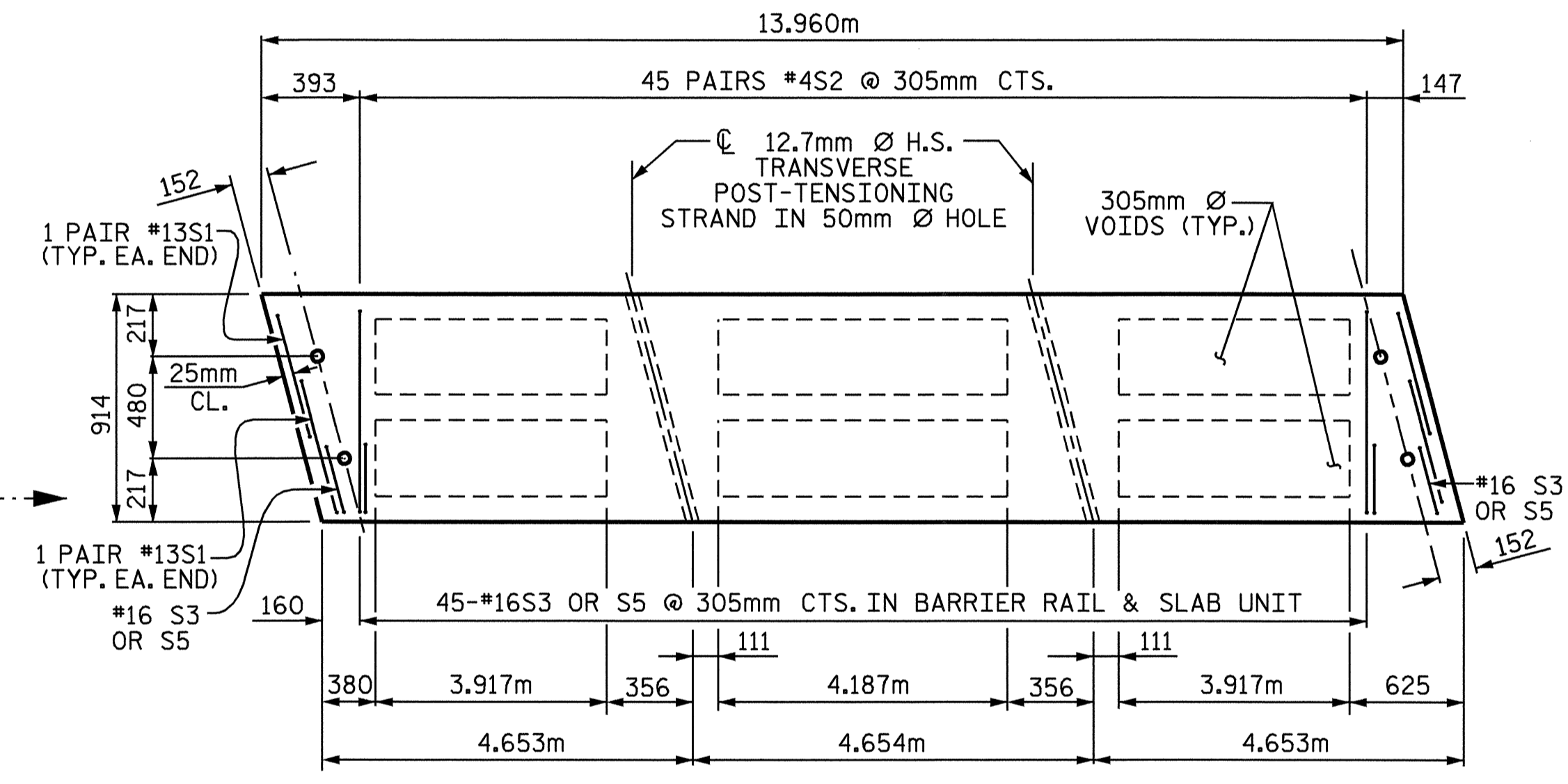


PLAN OF SPAN "C"



PLAN OF INTERIOR CORED SLAB UNIT



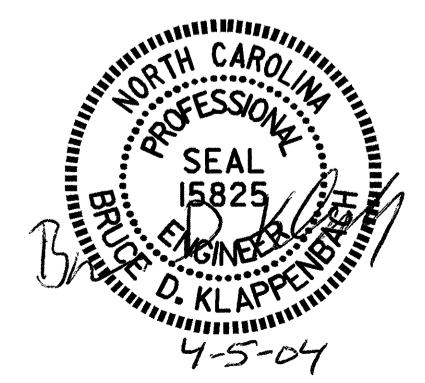
PLAN OF EXTERIOR CORED SLAB UNIT

PROJECT NO. R-2514A  
ONSLow COUNTY  
 STATION: 182+87.400-L-MED

SHEET 4 OF 5

STATE OF NORTH CAROLINA  
 DEPARTMENT OF TRANSPORTATION  
 RALEIGH

SUPERSTRUCTURE  
 PLAN OF SPAN "C"  
 (LEFT LANE)



REVISIONS					SHEET NO.
NO.	BY:	DATE:	NO.	BY:	DATE:
1			3		
2			4		

S-7  
TOTAL SHEETS  
46

DRAWN BY : M. G. SHAIKH DATE : 3-9-03  
 CHECKED BY : D. A. GLADDEN DATE : 4-28-03