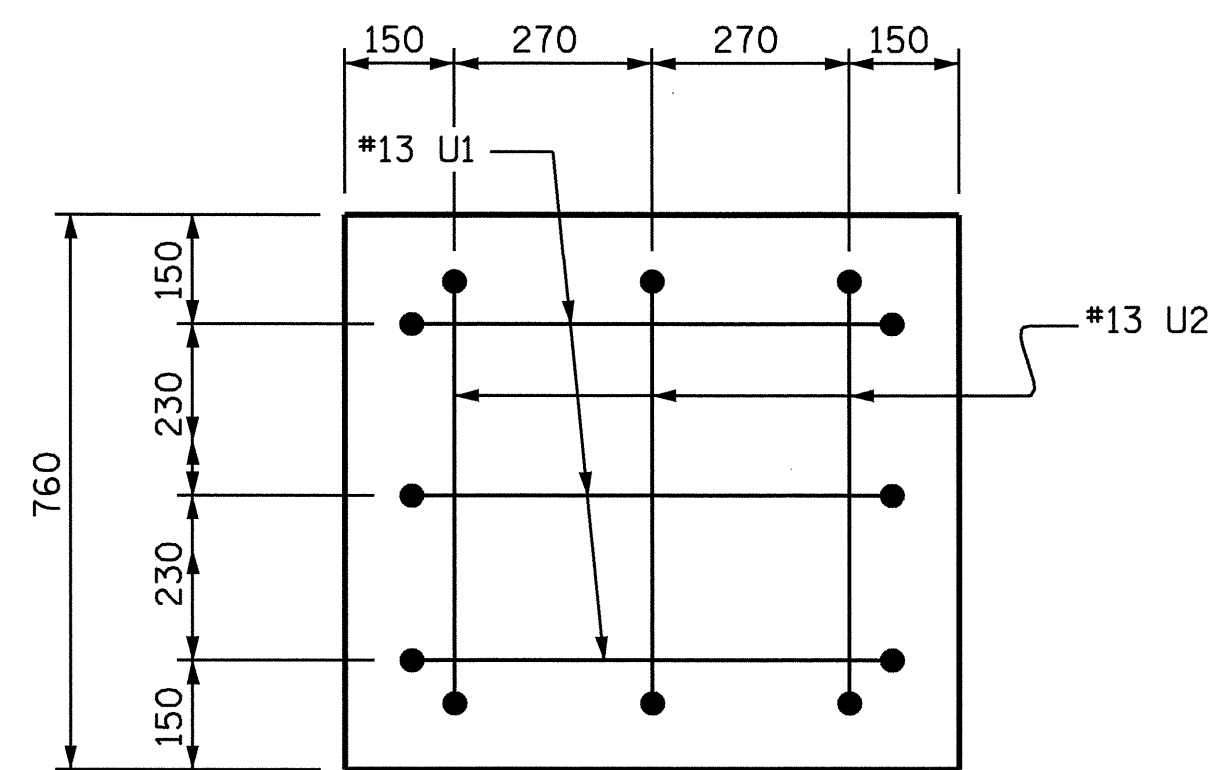
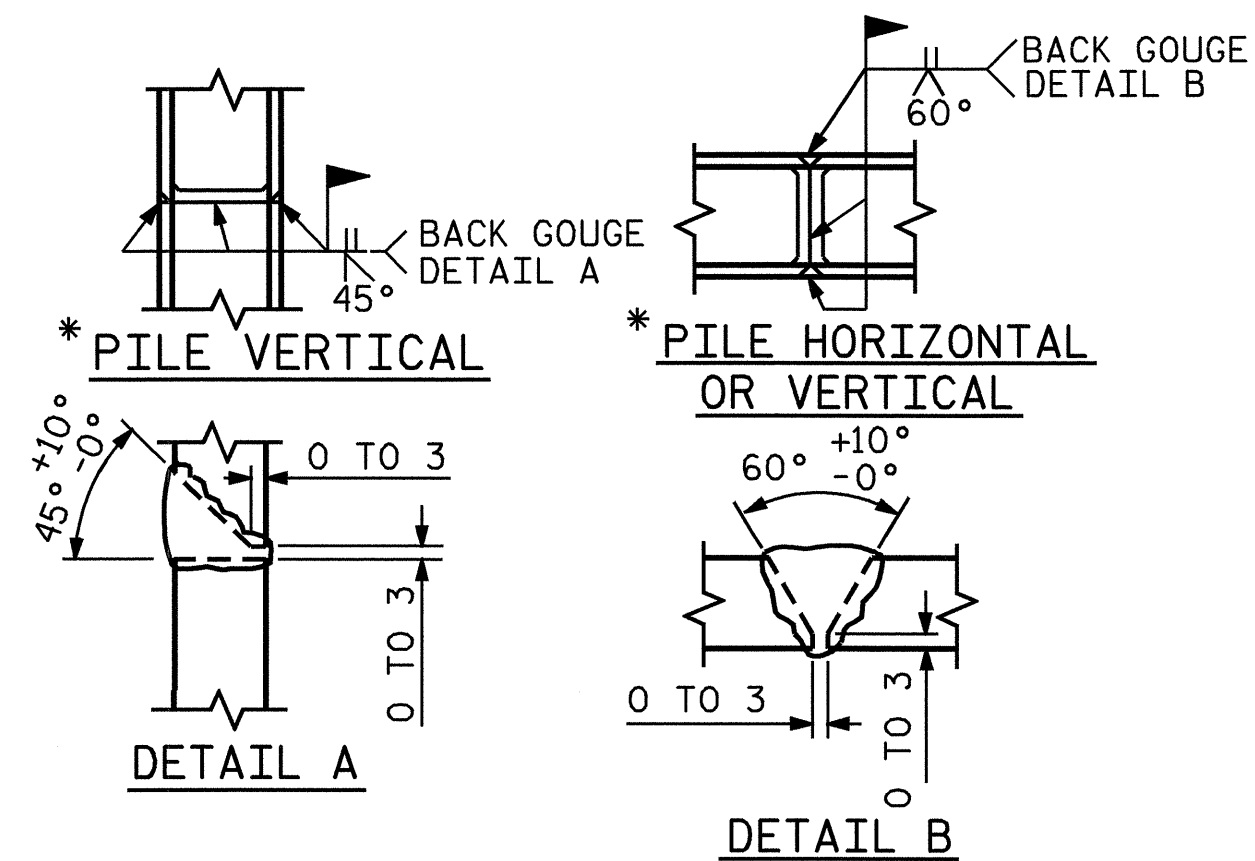


SECTION THRU CAP

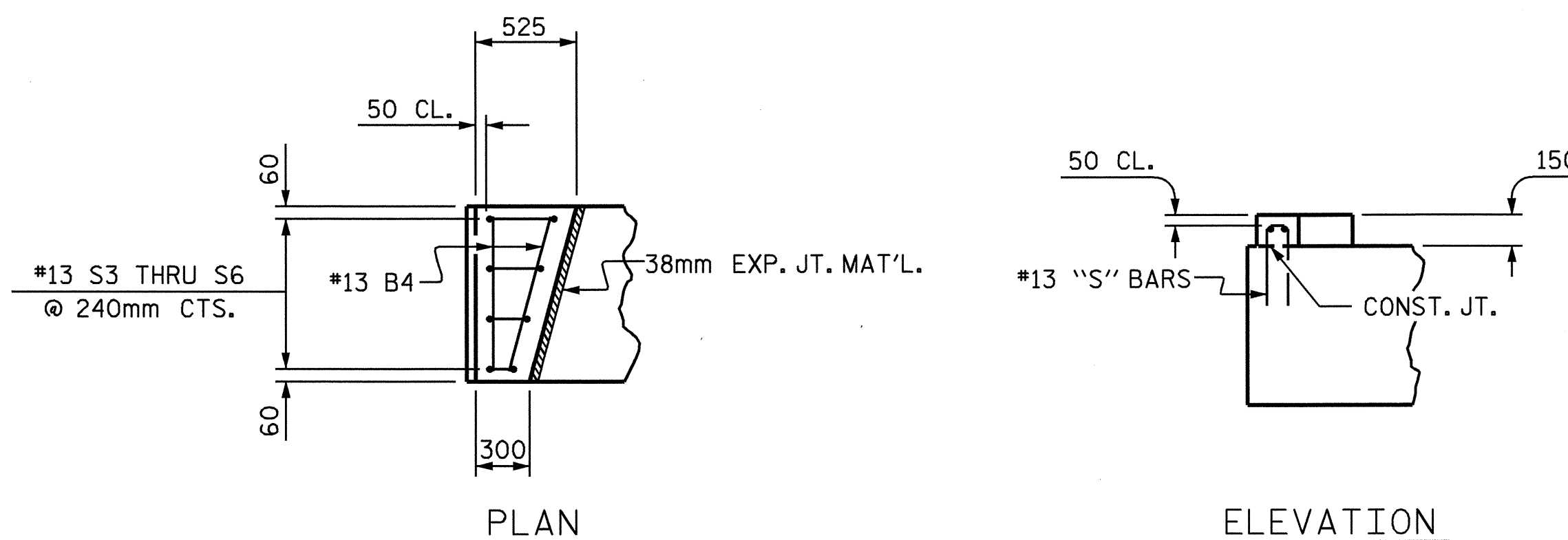


VIEW "X-X"

BAR TYPES		BILL OF MATERIAL																																																																												
		<p>BENT #2</p> <table border="1"> <thead> <tr> <th>BAR NO.</th> <th>SIZE</th> <th>TYPE</th> <th>LENGTH</th> <th>WEIGHT</th> </tr> </thead> <tbody> <tr><td>B1</td><td>#32</td><td>1</td><td>14940</td><td>383</td></tr> <tr><td>B2</td><td>#32</td><td>STR</td><td>14120</td><td>362</td></tr> <tr><td>B3</td><td>#13</td><td>STR</td><td>7440</td><td>118</td></tr> <tr><td>B4</td><td>#13</td><td>STR</td><td>740</td><td>12</td></tr> <tr><td>D1</td><td>#19</td><td>STR</td><td>460</td><td>58</td></tr> <tr><td>S1</td><td>#16</td><td>2</td><td>2320</td><td>194</td></tr> <tr><td>S2</td><td>#13</td><td>3</td><td>1980</td><td>31</td></tr> <tr><td>S3</td><td>#13</td><td>4</td><td>780</td><td>2</td></tr> <tr><td>S4</td><td>#13</td><td>4</td><td>840</td><td>2</td></tr> <tr><td>S5</td><td>#13</td><td>4</td><td>900</td><td>2</td></tr> <tr><td>S6</td><td>#13</td><td>4</td><td>980</td><td>2</td></tr> <tr><td>U1</td><td>#13</td><td>4</td><td>1300</td><td>8</td></tr> <tr><td>U2</td><td>#13</td><td>4</td><td>1200</td><td>7</td></tr> <tr><td>U3</td><td>#29</td><td>4</td><td>2920</td><td>30</td></tr> </tbody> </table> <p>REINFORCING STEEL = 1211 KG</p>		BAR NO.	SIZE	TYPE	LENGTH	WEIGHT	B1	#32	1	14940	383	B2	#32	STR	14120	362	B3	#13	STR	7440	118	B4	#13	STR	740	12	D1	#19	STR	460	58	S1	#16	2	2320	194	S2	#13	3	1980	31	S3	#13	4	780	2	S4	#13	4	840	2	S5	#13	4	900	2	S6	#13	4	980	2	U1	#13	4	1300	8	U2	#13	4	1200	7	U3	#29	4	2920	30
BAR NO.	SIZE	TYPE	LENGTH	WEIGHT																																																																										
B1	#32	1	14940	383																																																																										
B2	#32	STR	14120	362																																																																										
B3	#13	STR	7440	118																																																																										
B4	#13	STR	740	12																																																																										
D1	#19	STR	460	58																																																																										
S1	#16	2	2320	194																																																																										
S2	#13	3	1980	31																																																																										
S3	#13	4	780	2																																																																										
S4	#13	4	840	2																																																																										
S5	#13	4	900	2																																																																										
S6	#13	4	980	2																																																																										
U1	#13	4	1300	8																																																																										
U2	#13	4	1200	7																																																																										
U3	#29	4	2920	30																																																																										
		<table border="1"> <thead> <tr> <th>U1</th> <th>U2</th> <th>U3</th> <th>S6</th> <th>S5</th> <th>S4</th> <th>S5</th> <th>S4</th> <th>S3</th> </tr> </thead> <tbody> <tr><td>700</td><td>600</td><td>680</td><td>380</td><td>300</td><td>240</td><td>300</td><td>240</td><td>180</td></tr> </tbody> </table>		U1	U2	U3	S6	S5	S4	S5	S4	S3	700	600	680	380	300	240	300	240	180																																																									
U1	U2	U3	S6	S5	S4	S5	S4	S3																																																																						
700	600	680	380	300	240	300	240	180																																																																						
<p>ALL BAR DIMENSIONS ARE OUT TO OUT</p>																																																																														
<p>CLASS "A" CONCRETE BREAKDOWN</p> <table border="1"> <tbody> <tr><td>POUR #1 (CAP)</td><td>=</td><td>9.1</td><td>m³</td></tr> <tr><td>POUR #2 (LATERAL GUIDE)</td><td>=</td><td>0.1</td><td>m³</td></tr> <tr><td>CLASS "A" CONCRETE TOTAL</td><td>=</td><td>9.2</td><td>m³</td></tr> </tbody> </table>				POUR #1 (CAP)	=	9.1	m ³	POUR #2 (LATERAL GUIDE)	=	0.1	m ³	CLASS "A" CONCRETE TOTAL	=	9.2	m ³																																																															
POUR #1 (CAP)	=	9.1	m ³																																																																											
POUR #2 (LATERAL GUIDE)	=	0.1	m ³																																																																											
CLASS "A" CONCRETE TOTAL	=	9.2	m ³																																																																											
<p>HP 310 X 79 STEEL PILES</p> <table border="1"> <tbody> <tr><td>NO. 8</td><td>=</td><td>112.0</td><td>m</td></tr> </tbody> </table>				NO. 8	=	112.0	m																																																																							
NO. 8	=	112.0	m																																																																											
<p>GALVANINING STEEL PILES LUMP SUM</p>																																																																														



PILE SPLICE DETAILS



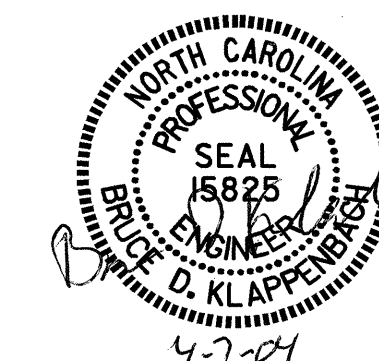
LATERAL GUIDE DETAILS

PROJECT NO. R-2514A
ONslow COUNTY
 STATION: 182+87.400-L-MED

SHEET 2 OF 2

STATE OF NORTH CAROLINA
 DEPARTMENT OF TRANSPORTATION
 RALEIGH

SUBSTRUCTURE
 BENT #2
 LEFT LANE



REVISIONS					SHEET NO.
NO.	BY:	DATE:	NO.	BY:	DATE:
1			3		
2			4		
TOTAL SHEETS					4

DRAWN BY: D. A. GLADDEN DATE: 10-31-03
 CHECKED BY: G.M. Patterson DATE: 12-09-03

07-APR-2004 11:25
 W:\squad\N2514a\Strland2\dgladden\MIcrostation\xR2514A.sd.B2.01.dgn
 dgladden