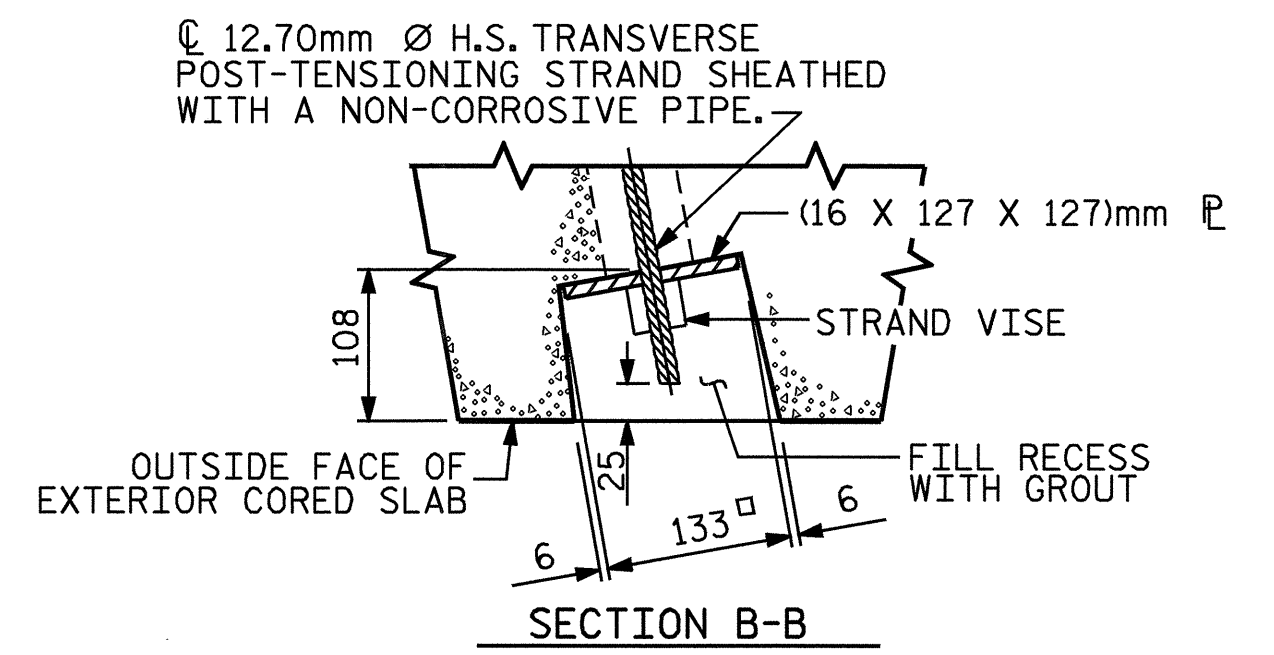
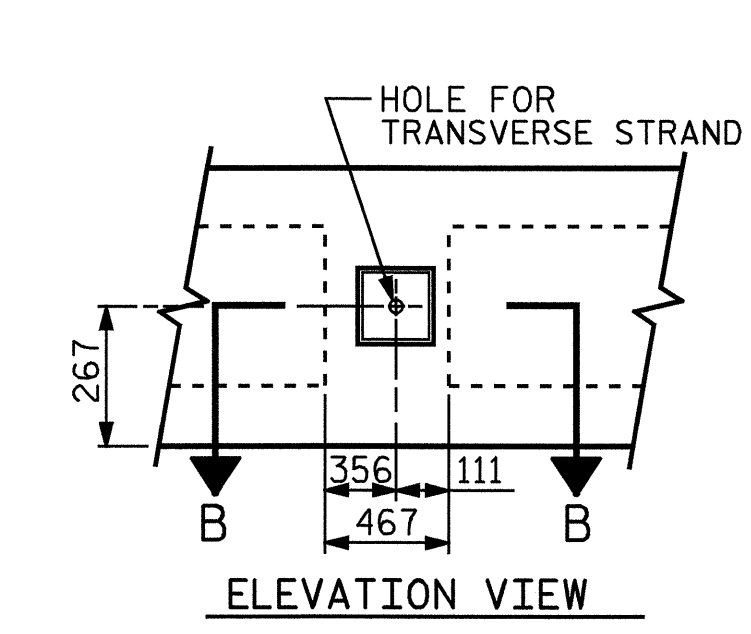
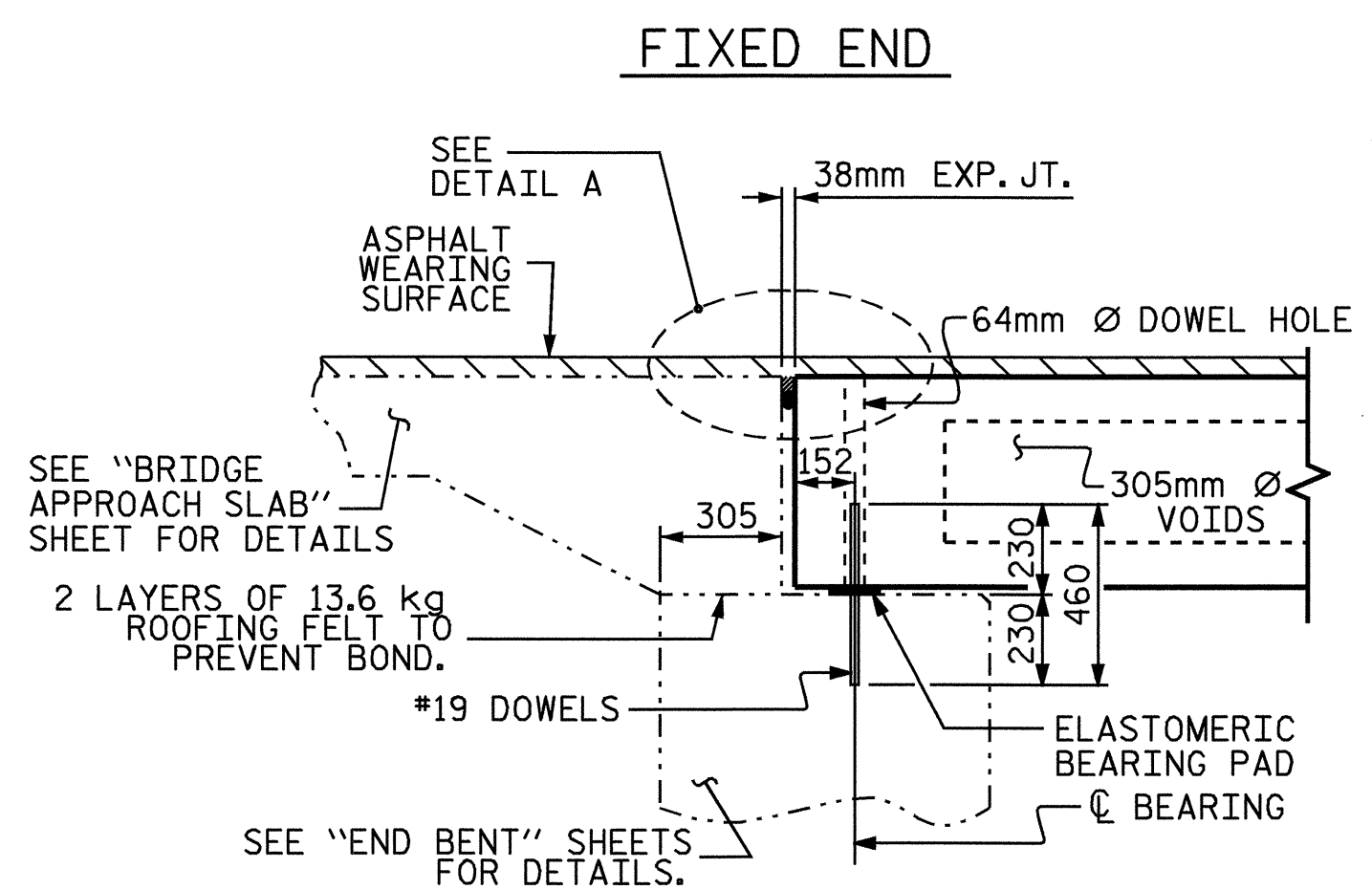


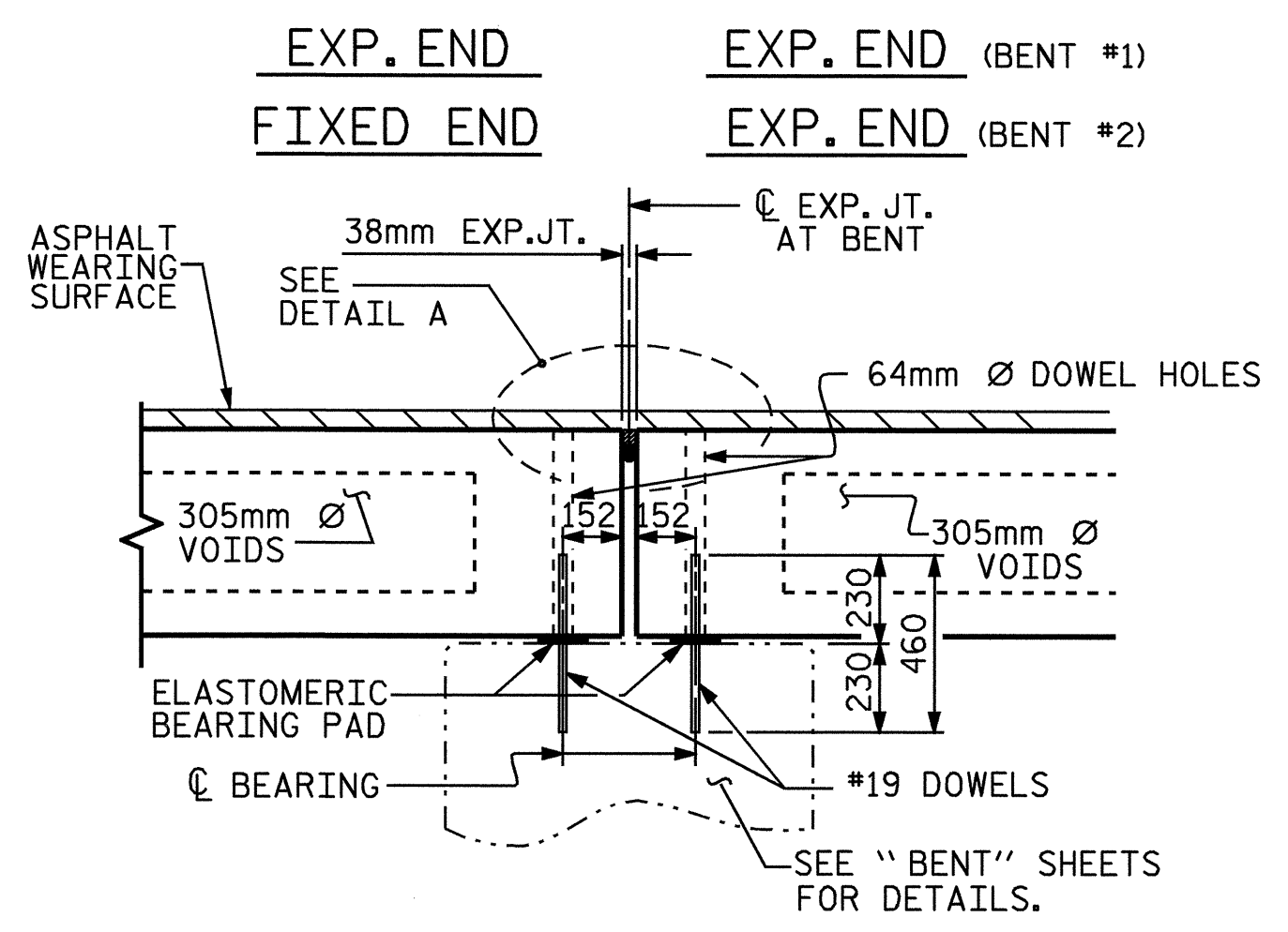
TYPICAL SECTION



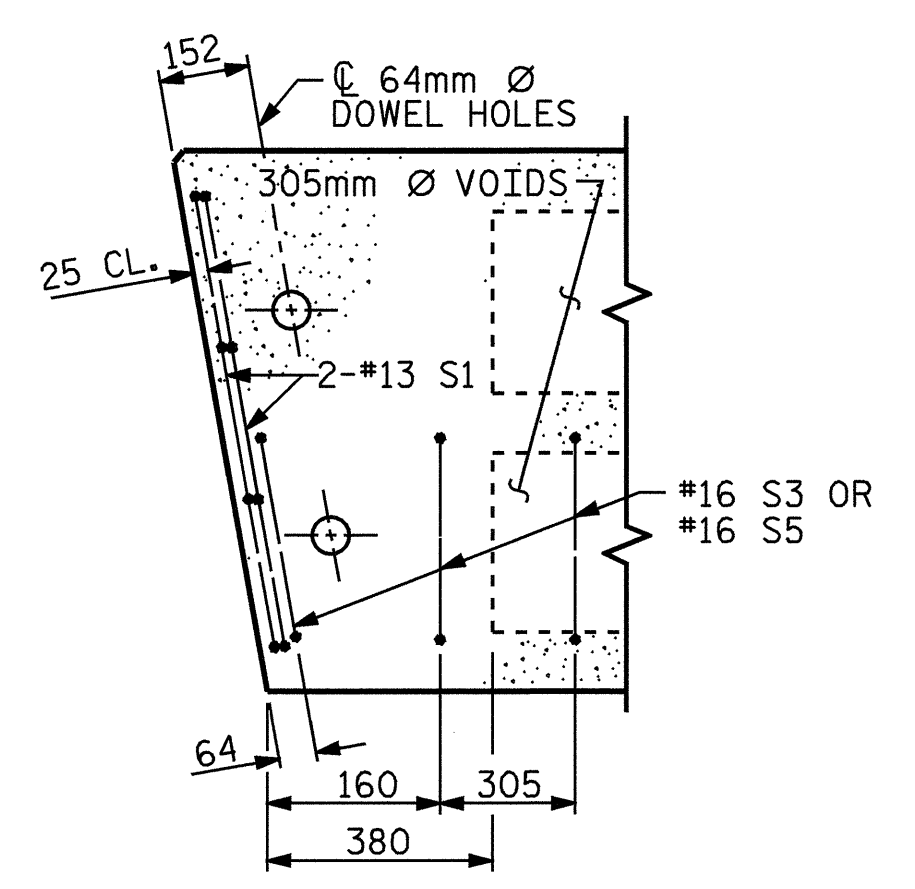
GRouted RECESS AT END OF POST-TENSIONED STRAND CORED SLABS



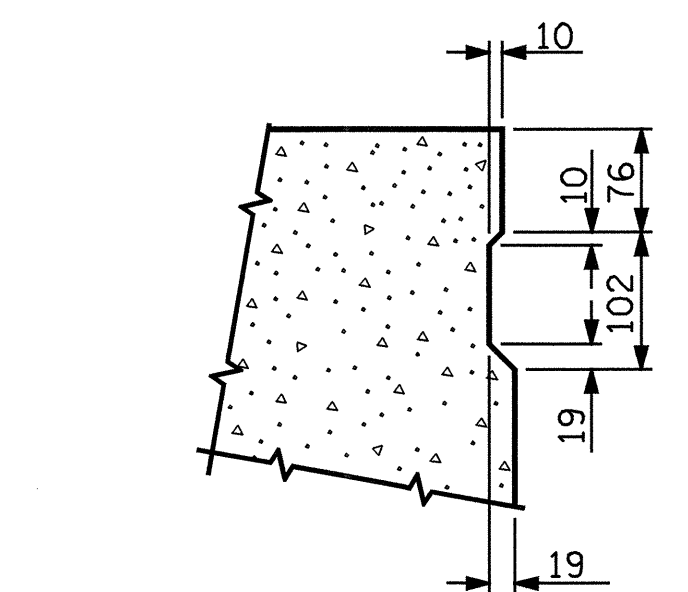
SECTION AT END BENT



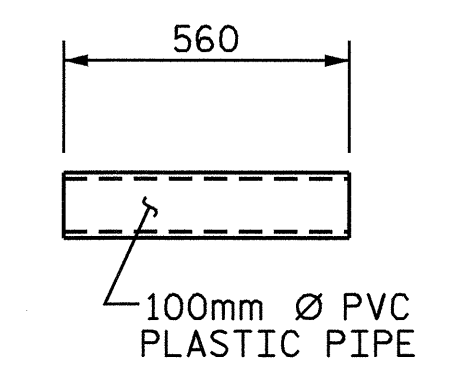
SECTION AT BENT



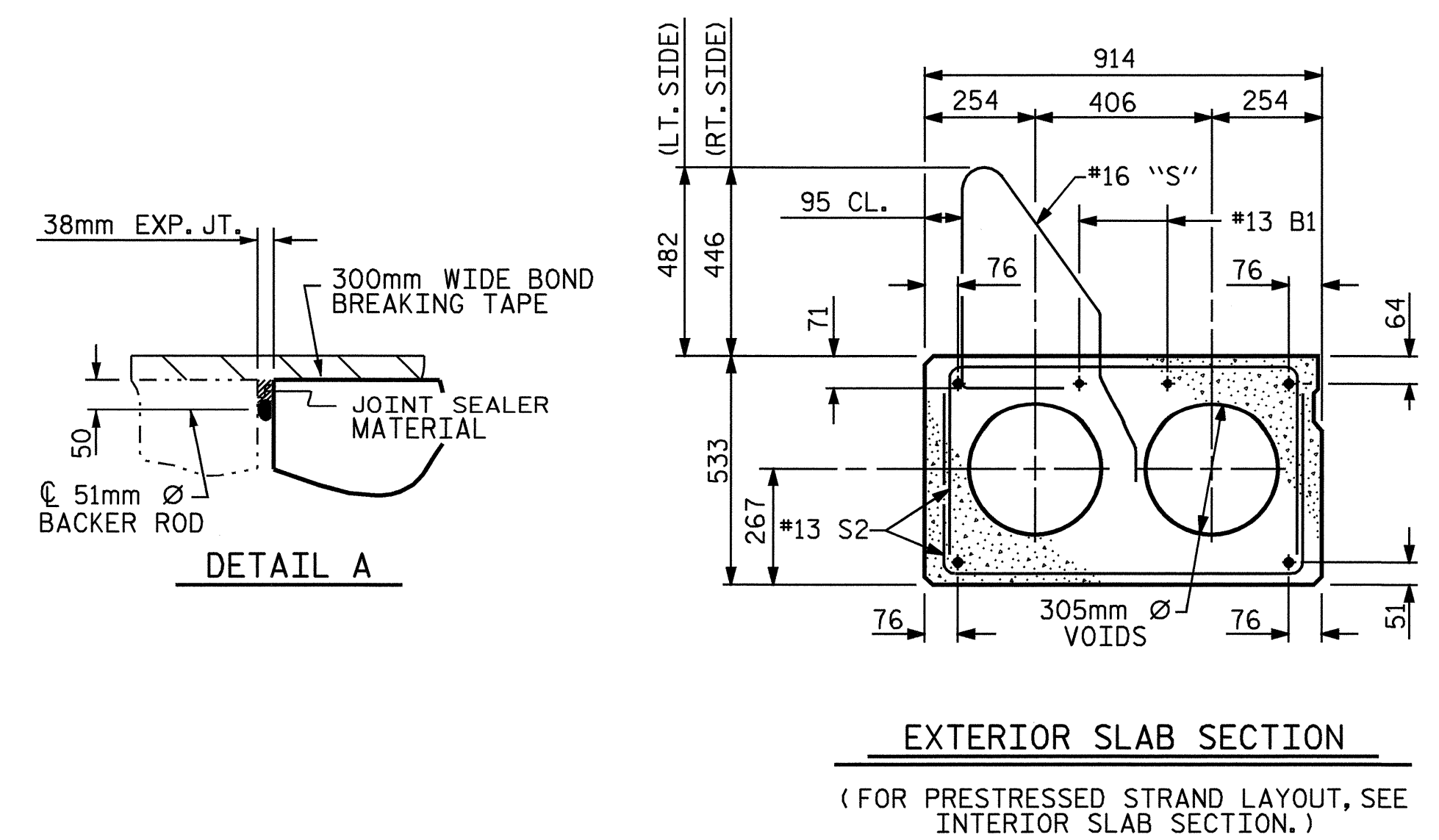
PART PLAN-EXTERIOR SECTION  
NOTE: EXTERIOR SECTION SHOWN-INTERIOR SECTION SIMILAR EXCEPT OMIT S3 BARS.



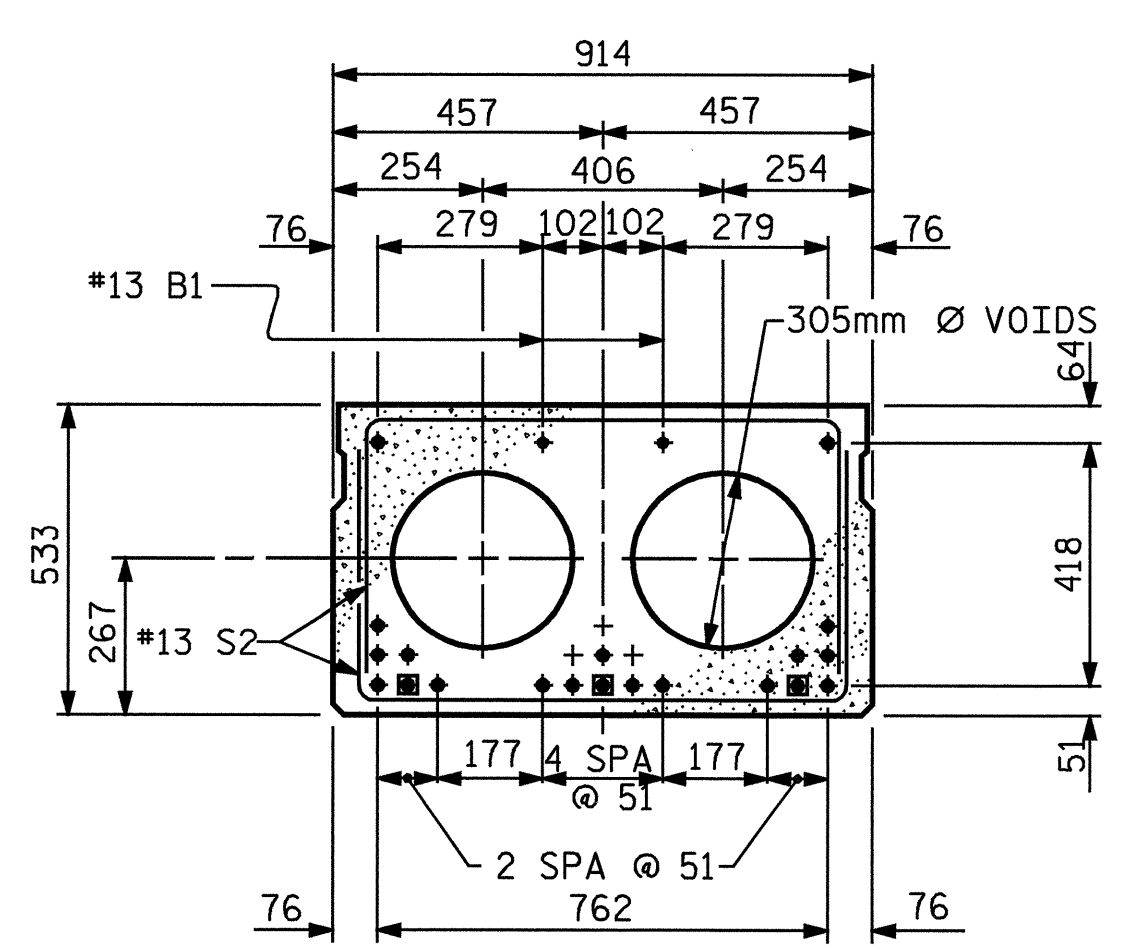
SHEAR KEY DETAIL  
NOTE: OMIT SHEAR KEY ON OUTSIDE FACE OF EXTERIOR CORED SLABS.



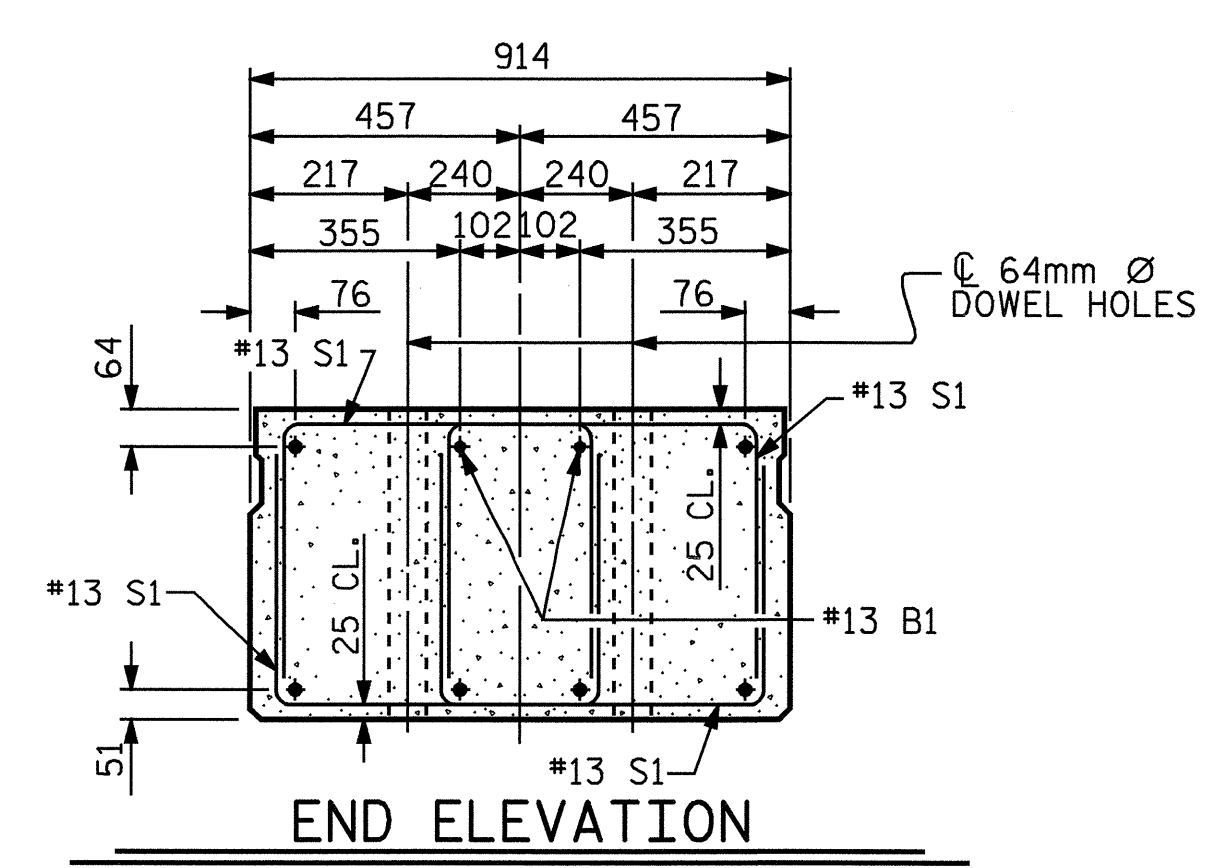
DRAIN DETAIL  
(24 REQUIRED)



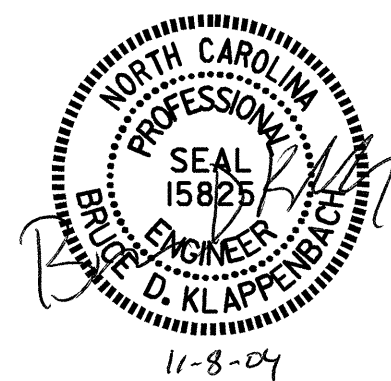
EXTERIOR SLAB SECTION  
(FOR PRESTRESSED STRAND LAYOUT, SEE INTERIOR SLAB SECTION.)



INTERIOR SLAB SECTION  
BOND SHALL BE BROKEN ON THESE STRANDS FOR A DISTANCE OF FOUR FEET FROM END OF CORED SLAB UNIT. SEE STANDARD SPECIFICATIONS ARTICLE 1078-7.



END ELEVATION  
SHOWING PLACEMENT OF DOUBLE STIRRUPS AND LOCATION OF DOWEL HOLES. (STRAND LAYOUT NOT SHOWN.) INTERIOR SLAB SECTION SHOWN-EXTERIOR SLAB SECTION SIMILAR EXCEPT SHEAR KEY LOCATION.



PROJECT NO. R-2514A  
ONSLow COUNTY  
STATION: 182+87.400-L-MED  
SHEET 1 OF 5

STATE OF NORTH CAROLINA DEPARTMENT OF TRANSPORTATION RALEIGH						SHEET NO. S-26
914mm X 533mm PRESTRESSED CONCRETE CORED SLAB UNIT (RIGHT LANE)						TOTAL SHEETS 46
REVISIONS						SHEET NO. S-26
NO.	BY:	DATE:	NO.	BY:	DATE:	
1			3			
2			4			

DRAWN BY: M. G. SHAIKH DATE: 3-7-03  
CHECKED BY: D. A. GLADDEN DATE: 4-28-03