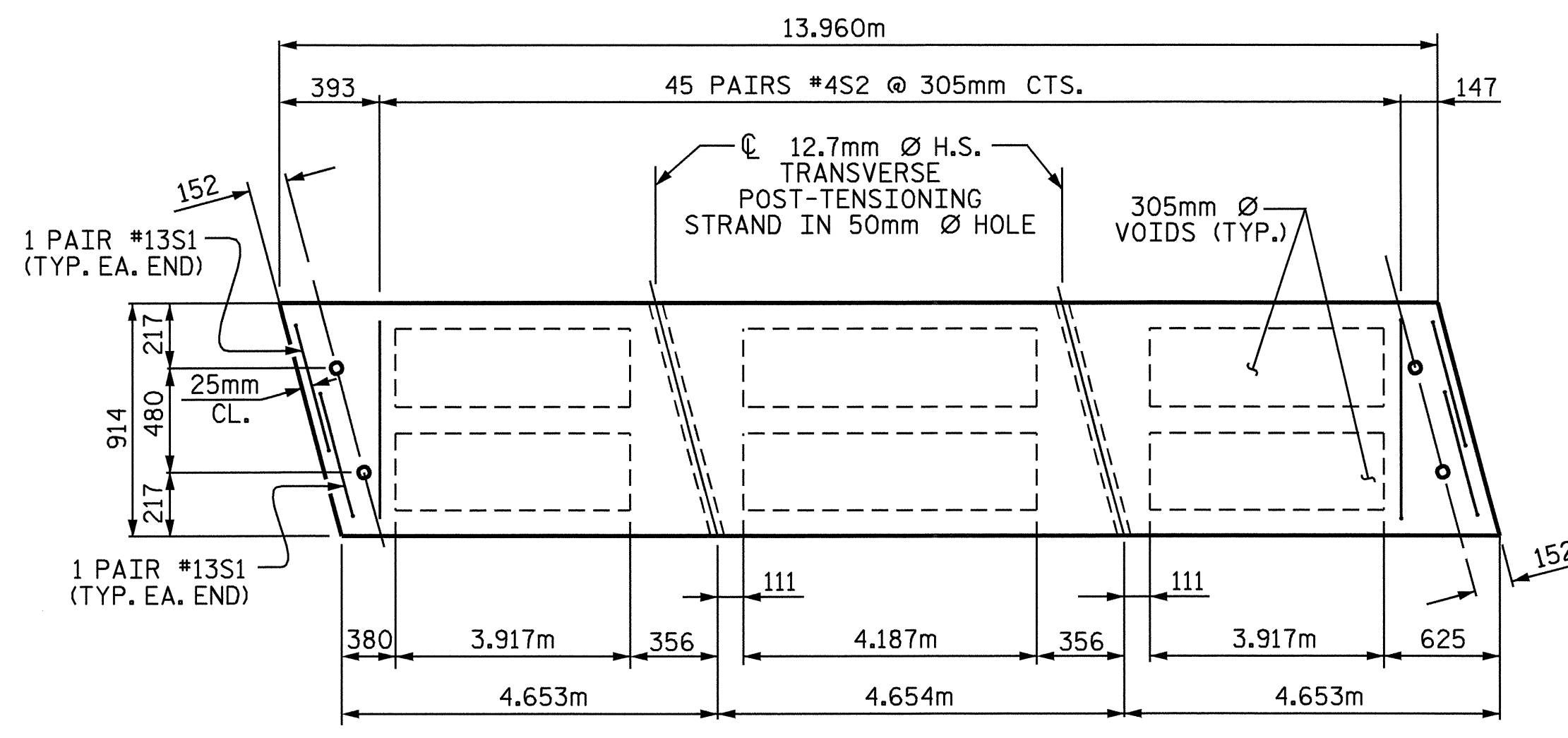
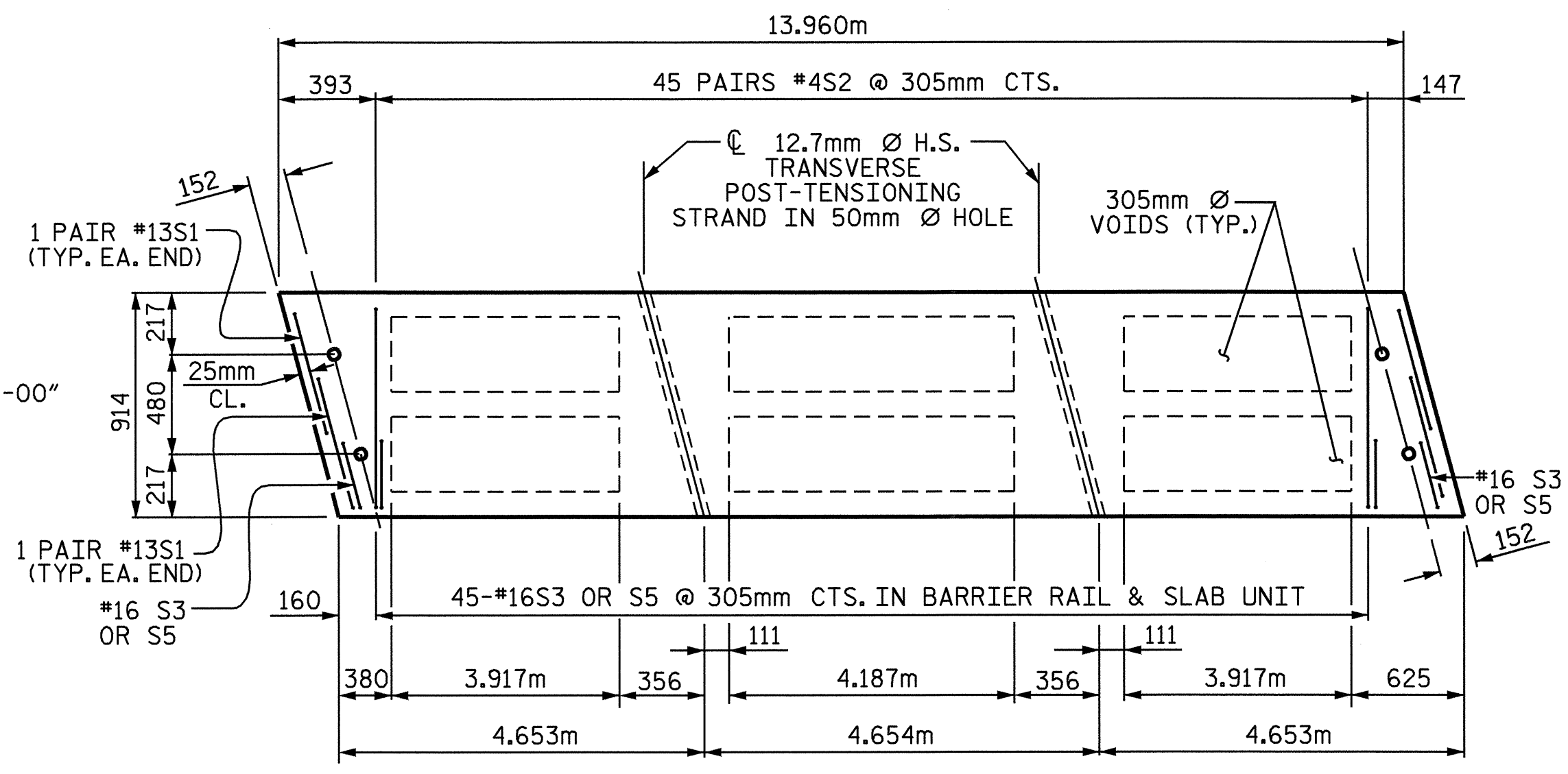


PLAN OF SPAN "B"



PLAN OF INTERIOR CORED SLAB UNIT



PLAN OF EXTERIOR CORED SLAB UNIT

DRAWN BY: M. G. SHAIKH DATE: 3-14-03
CHECKED BY: D. A. GLADDEN DATE: 4-28-03

PROJECT NO. R-2514A
ONSLow COUNTY
STATION: 182+87.400-L-MED

SHEET 3 OF 5

STATE OF NORTH CAROLINA
DEPARTMENT OF TRANSPORTATION
RALEIGH

SUPERSTRUCTURE
PLAN OF SPAN "B"
(RIGHT LANE)



REVISIONS						SHEET NO.	
NO.	BY:	DATE:	NO.	BY:	DATE:	S-29	
1			3			TOTAL SHEETS	46
2			4				

STR. #2