

WIS ELEMENT	SHEET NO OF 31
36765	36796
36764	3CRJ0671J5
3CR.20651.4	3CRJ0671J5
3CR.20651J1	3CRJ0711J5
38225	39251
3CR.20651J5	39254
3CR.306532J5	39256
3CR.306508J5	

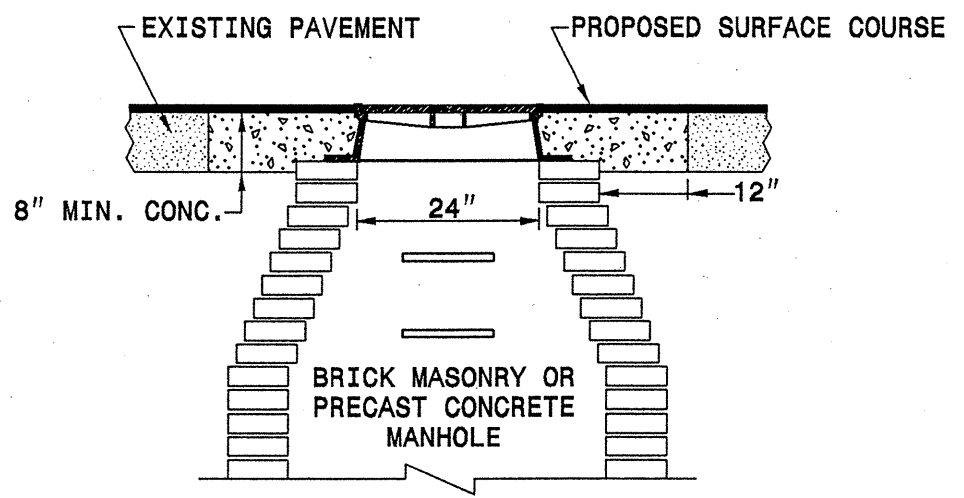
STATE OF NORTH CAROLINA  
DEPT. OF TRANSPORTATION  
DIVISION OF HIGHWAYS  
RALEIGH, N.C.

ENGLISH DETAIL DRAWING FOR  
**MANHOLE AND VALVE BOX ADJUSTMENTS**

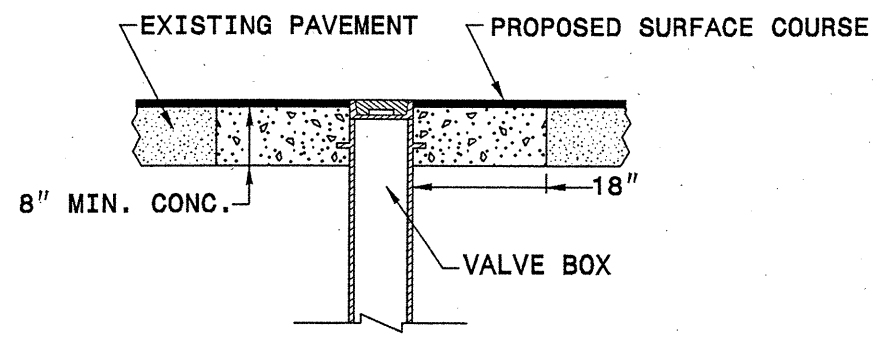
SHEET 1 OF 1  
**840D55**

**GENERAL NOTES:**

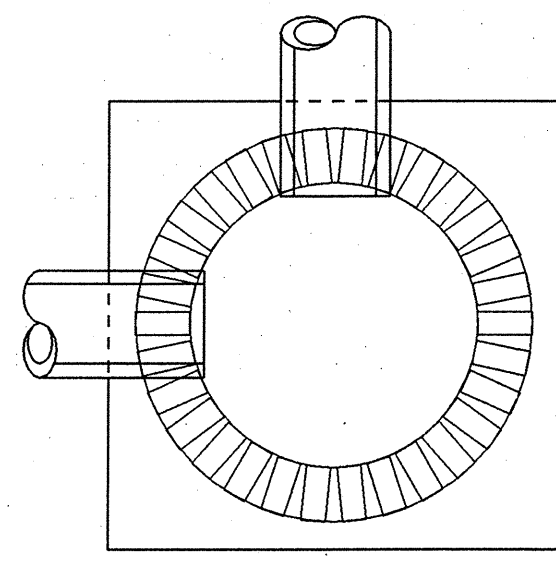
1. RAPID SET GROUT, MORTAR, OR CONCRETE SHALL HAVE A MINIMUM COMPRESSIVE STRENGTH OF 4000 PSI.
2. ALL FAULTY EXISTING BRICKWORK TO BE REMOVED AND REPLACED WITH NEW BRICK MASONRY.
3. EXCAVATION FOR THE ADJUSTMENT SHALL BE SHEER CUT ON ALL SIDES.
4. AREA BELOW 8" DEPTH CAN BE FILLED WITH 78M OR NO. 57 CLEAN STONE.
5. MORTAR SHALL BE MIXED TO NCDOT SPECIFICATIONS.
6. MORTAR JOINTS 1/2" +/- 1/8"



**MANHOLE CONCRETE ENCASEMENT**



**VALVE BOX CONCRETE ENCASEMENT**



**ELEVATION VIEW**

PLACE BRICK ACCORDING TO ELEVATION VIEW

STATE OF NORTH CAROLINA  
DEPT. OF TRANSPORTATION  
DIVISION OF HIGHWAYS  
RALEIGH, N.C.

ENGLISH DETAIL DRAWING FOR  
**MANHOLE AND VALVE BOX ADJUSTMENTS**

SHEET 1 OF 1  
**840D55**