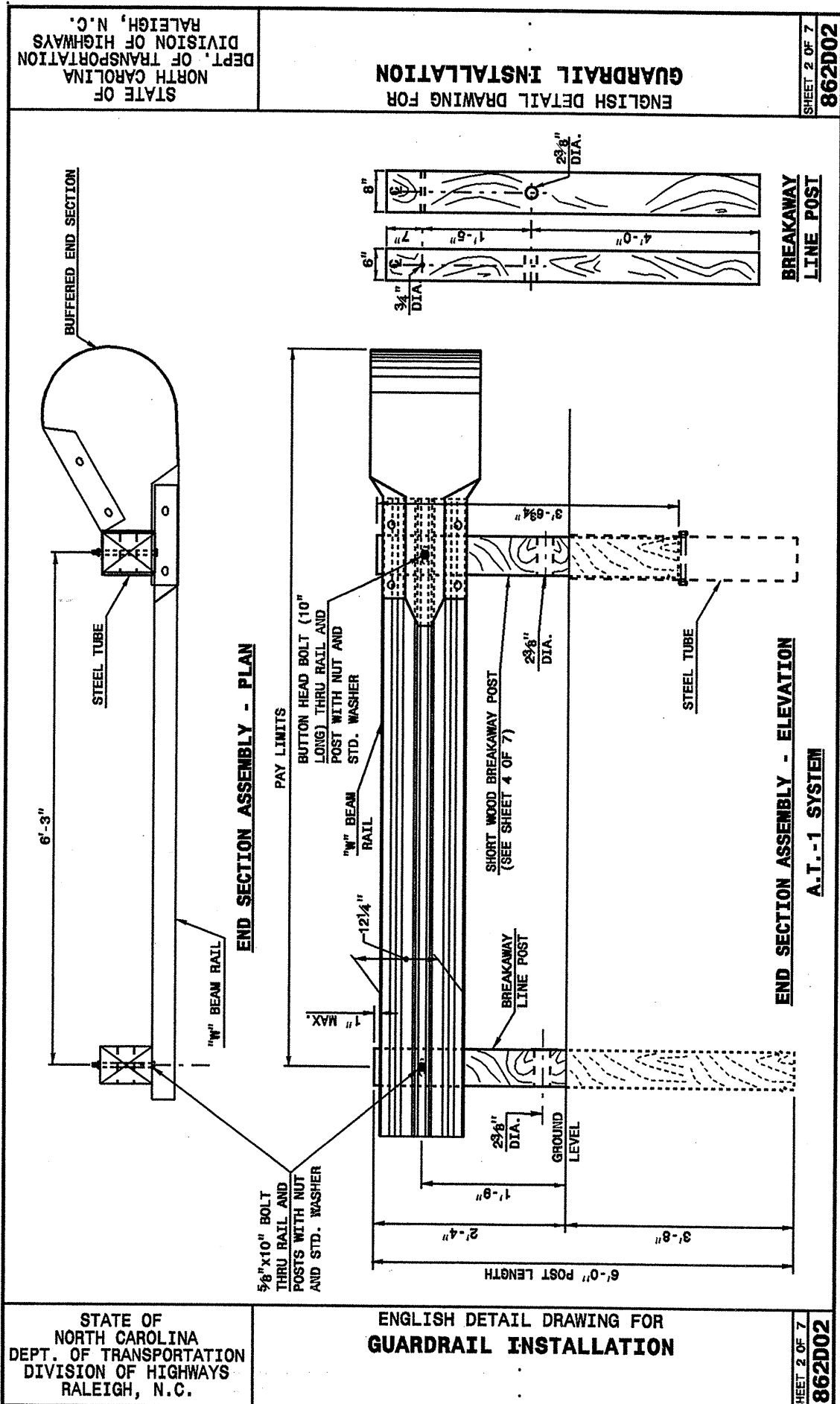
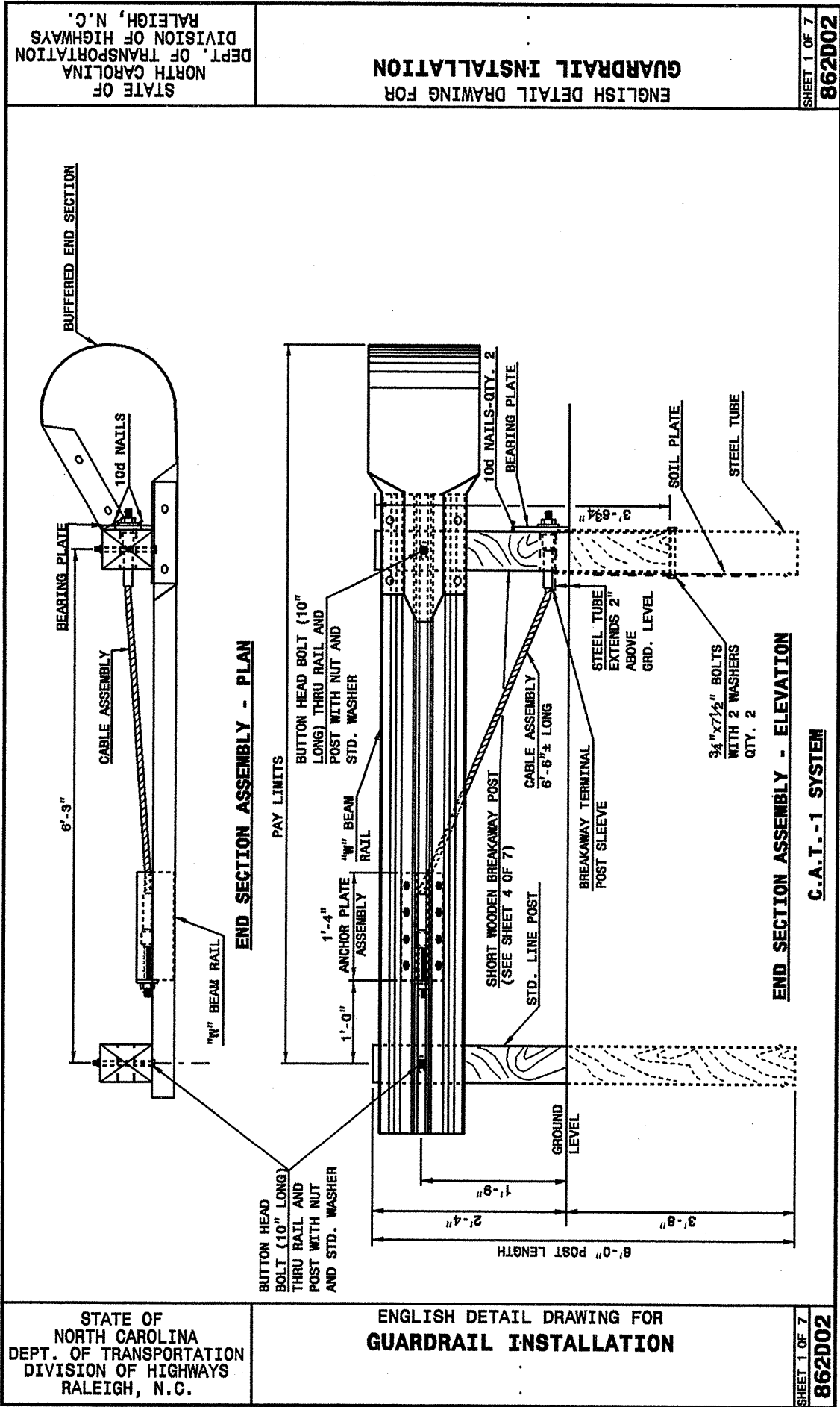


30-JUN-2003 10:34 W:\Special Details\stds\stds\02\Std to Special Details\english\862d02\862d02.dgn ericward A:\05212256

5/14/99



PROJECT REFERENCE NO. <i>36764, etc.</i>	SHEET NO. <i>28</i>
---	------------------------

DESIGN SERVICES UNIT  
STANDARDS AND SPECIAL DESIGN  
Office 919-250-4128 FAX 919-250-4119

**SEE PLATE FOR TITLE**

ORIGINAL BY: 2002 STD.862.02 DATE: \_\_\_\_\_  
MODIFIED BY: E.E. WARD DATE: 02-09-03  
CHECKED BY: \_\_\_\_\_ DATE: 7-02  
PTI & SPC - 7/02/03 (Rev. 02/02/03)