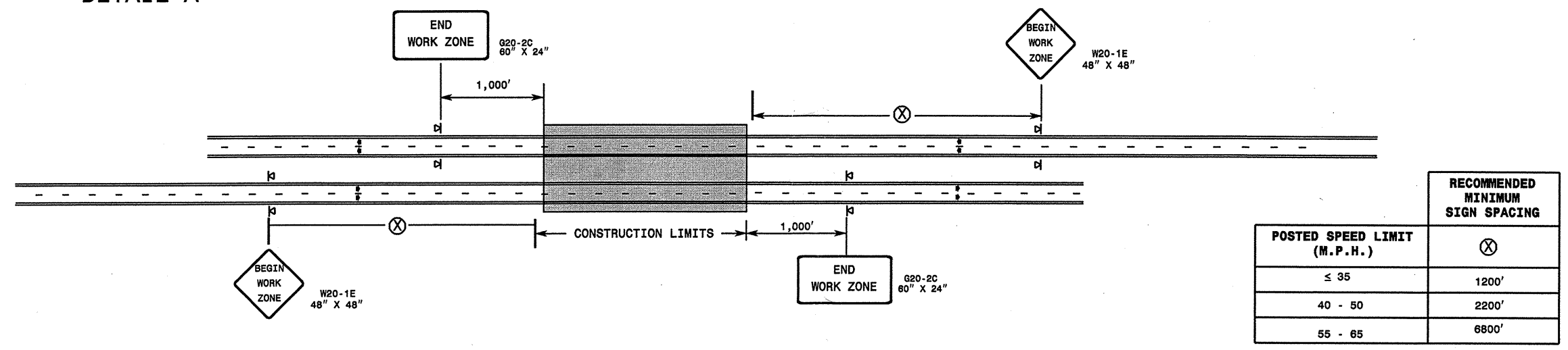
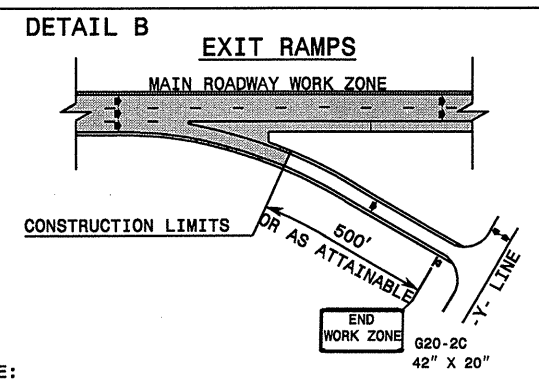


STATE OF NORTH CAROLINA  
DEPT. OF TRANSPORTATION  
DIVISION OF HIGHWAYS  
RALEIGH, N.C.

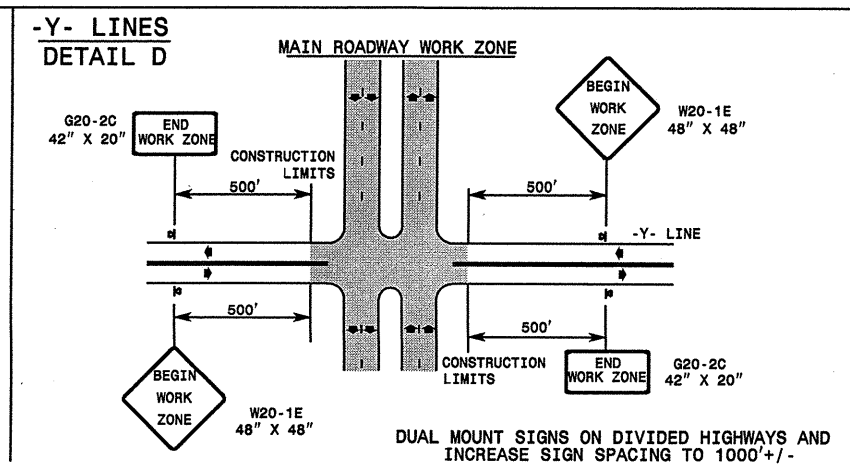
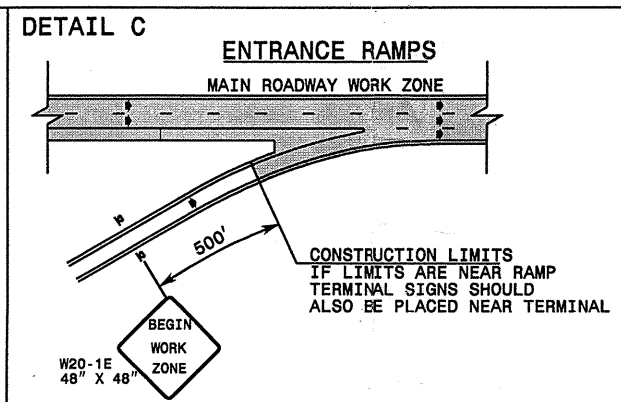
DETAIL A



ROADWAYS INTERSECTING ALONG HIGHWAY WORK ZONE



NOTE:  
SIGN NOT REQUIRED IF ADVANCE WARNING SIGNS HAVE BEEN PLACED ALONG -Y- LINE THAT RAMP INTERSECTS. IF CONSTRUCTION LIMITS ARE AT END OF RAMP, PLACE SIGN AT END OF RAMP.



GENERAL NOTES

- DO NOT INSTALL ADVANCE WARNING SIGNS MORE THAN 3 DAYS PRIOR TO BEGINNING OF WORK.
- ALL SIGN SPACING DIMENSIONS ARE APPROXIMATE, FIELD ADJUST AS NECESSARY OR AS DIRECTED.
- WHEN THERE ARE CONSTRUCTION LIMITS ON A DIVIDED -Y- LINE GREATER THAN 1 MILE IN LENGTH, USE THE SAME SIGNING AS FOR A MAIN ROADWAY WORK ZONE. (SEE DETAIL A)
- USE PORTABLE SIGNS.

LEGEND

◀	PORTABLE SIGN
▶	DIRECTION OF TRAFFIC FLOW

DETAIL DRAWING FOR INTERSTATE AND FREEWAY WORK ZONE SIGNS (SHORT-DURATION LANE CLOSURES)

SHEET 1 OF 1

APPROVED: _____	DATE: _____	DETAIL DRAWING FOR INTERSTATE AND FREEWAY WORK ZONE SIGNS	
SEAL	SCALE: NONE		REVISIONS
	DATE: 09-06-2001		
	DWG. BY: MMM		
	DESIGN BY: MMM		
REVIEWED BY: _____			