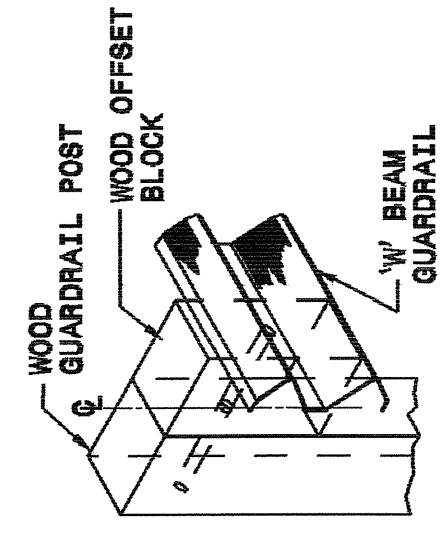
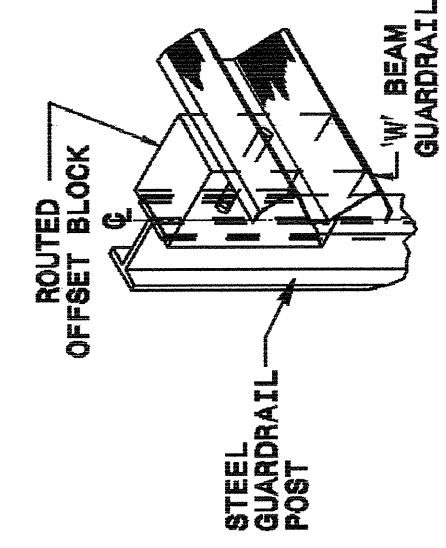
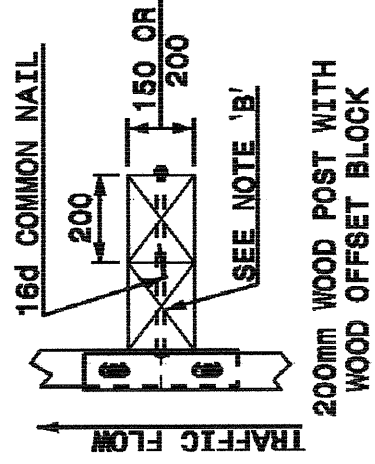
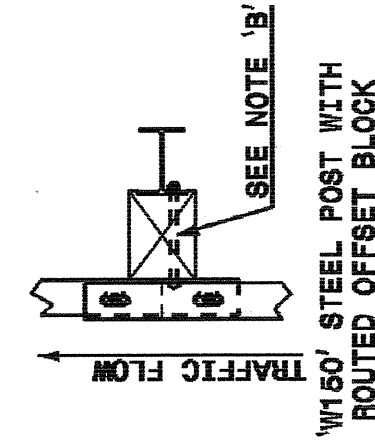
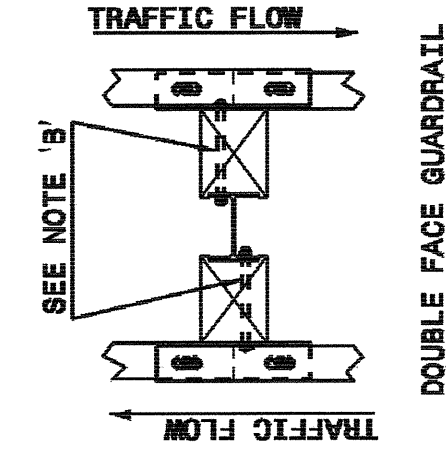


STATE OF  
 NORTH CAROLINA  
 DEPT. OF TRANSPORTATION  
 DIVISION OF HIGHWAYS  
 RALEIGH, N.C.

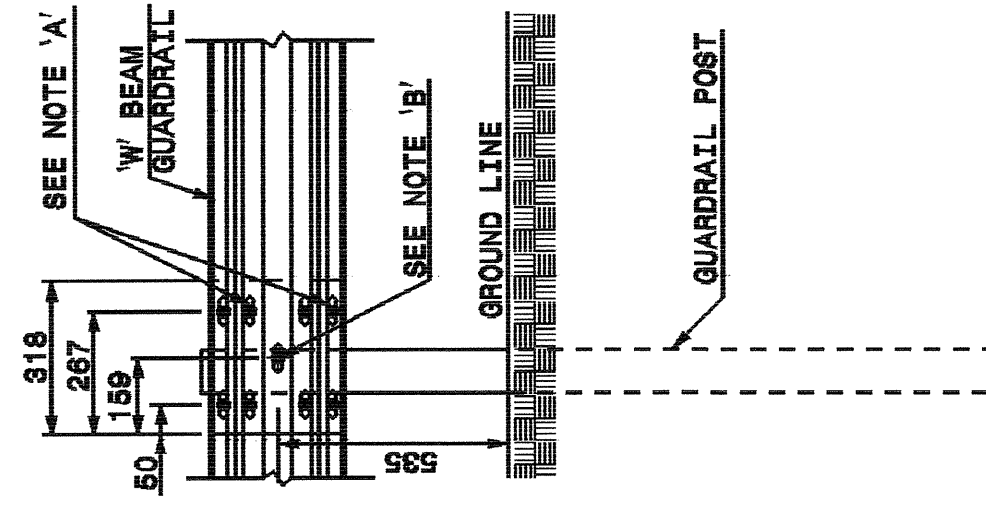
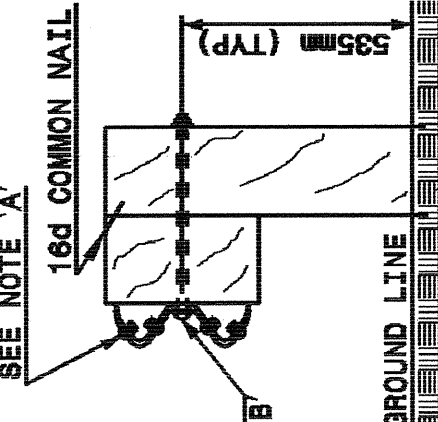
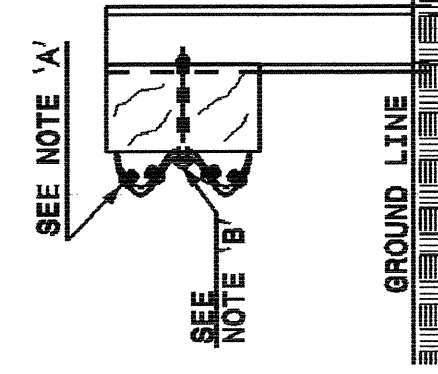
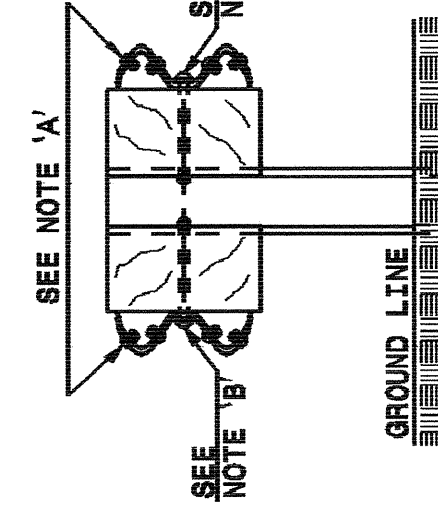
METRIC DETAIL DRAWING FOR  
**GUARDRAIL INSTALLATION**

SHEET 3 OF 7  
**862D02**



**PLAN**

**ISOMETRIC VIEWS**



**FRONT**

**SIDE**

200mm WOOD POST WITH WOOD OFFSET BLOCK

W150 STEEL POST WITH ROUTED OFFSET BLOCK

DOUBLE FACE GUARDRAIL

- NOTES:**  
 A - 16mm DIA. BUTTON HEAD SPLICE BOLT 32mm LONG WITH STD. WASHER UNDER NUT (8 REQ. PER SPLICE JOINT).  
 B - 16mm DIA. BUTTON HEAD BOLT 190mm/228mm LONG WITH NUT FOR BOLTING 150mm/200mm ROUTED OFFSET BLOCK TO STEEL POSTS OR 16mm DIA. BUTTON HEAD BOLT 457mm LONG WITH STD. WASHER UNDER NUT FOR BOLTING TO WOOD POSTS (1 REQ. PER LOCATION)  
 C - FIELD PUNCH HOLES INTO THE GUARDRAIL AS DIRECTED BY THE ENGINEER.

**Note:**  
 This drawing is dimensioned in millimeters unless otherwise depicted within the drawing.

**TYPICAL GUARDRAIL AND GUARDRAIL POST ALTERNATIVES**

STATE OF  
 NORTH CAROLINA  
 DEPT. OF TRANSPORTATION  
 DIVISION OF HIGHWAYS  
 RALEIGH, N.C.

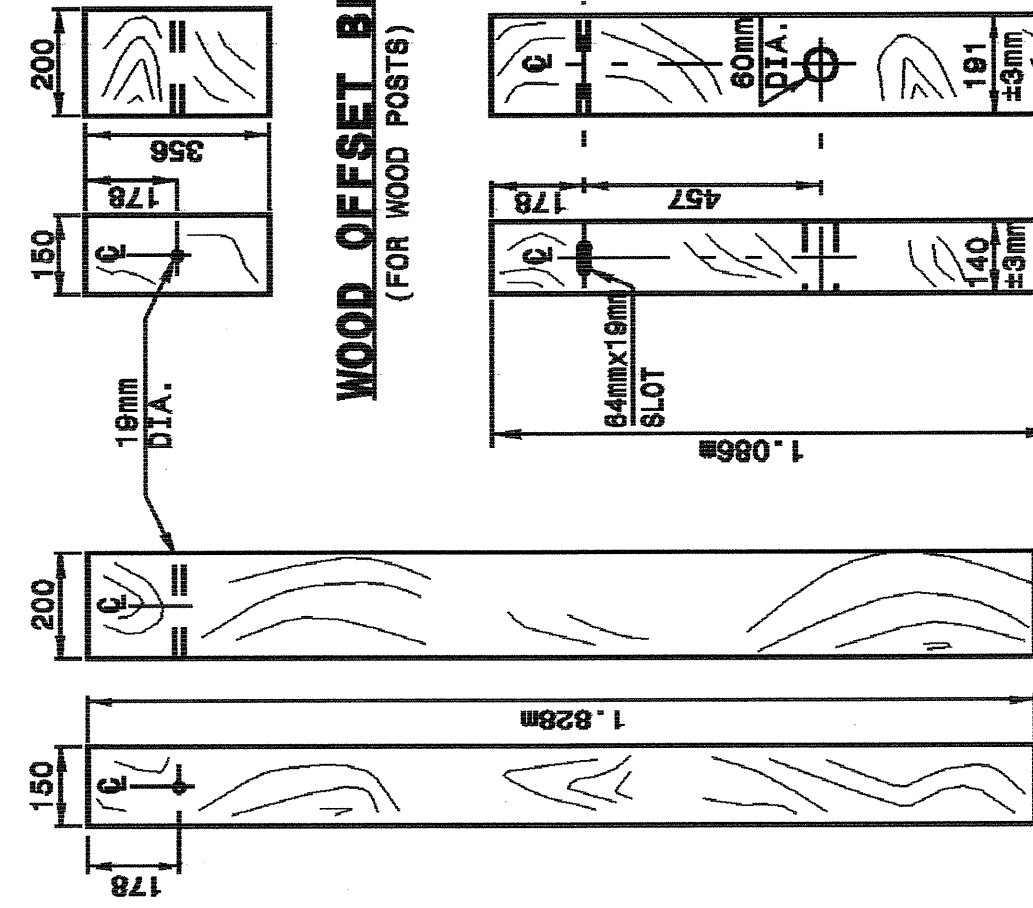
METRIC DETAIL DRAWING FOR  
**GUARDRAIL INSTALLATION**

SHEET 3 OF 7  
**862D02**

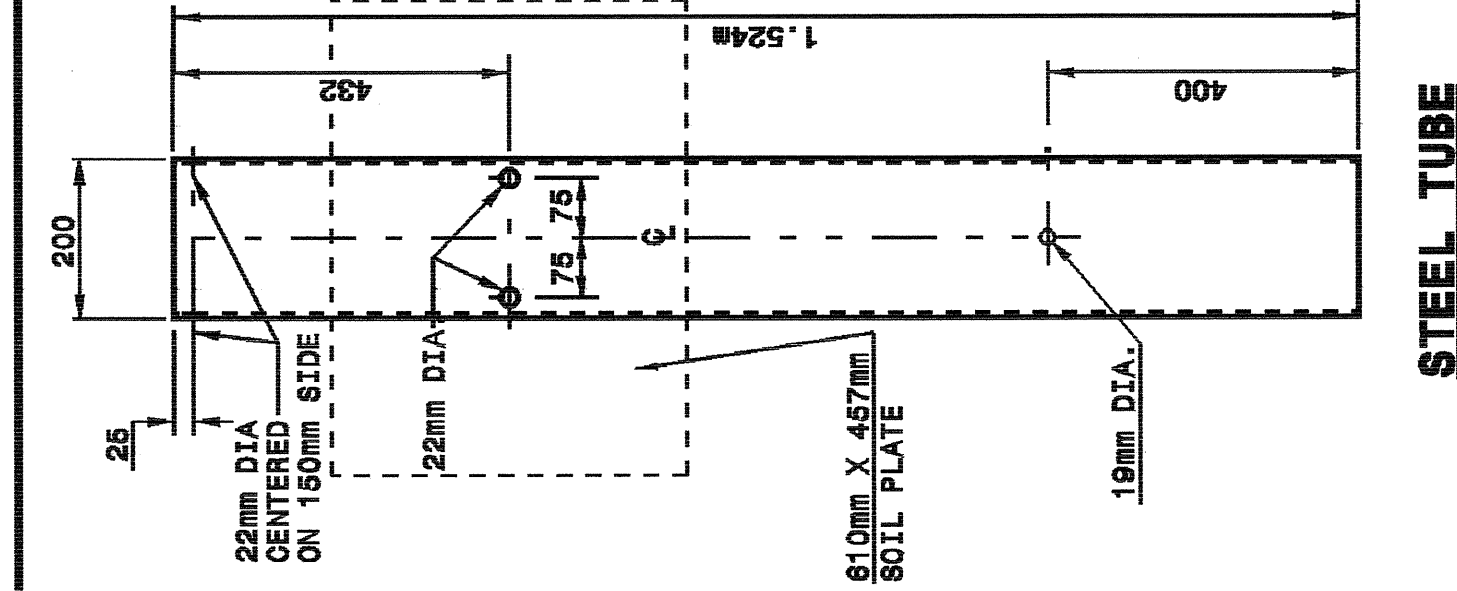
STATE OF  
 NORTH CAROLINA  
 DEPT. OF TRANSPORTATION  
 DIVISION OF HIGHWAYS  
 RALEIGH, N.C.

METRIC DETAIL DRAWING FOR  
**GUARDRAIL INSTALLATION**

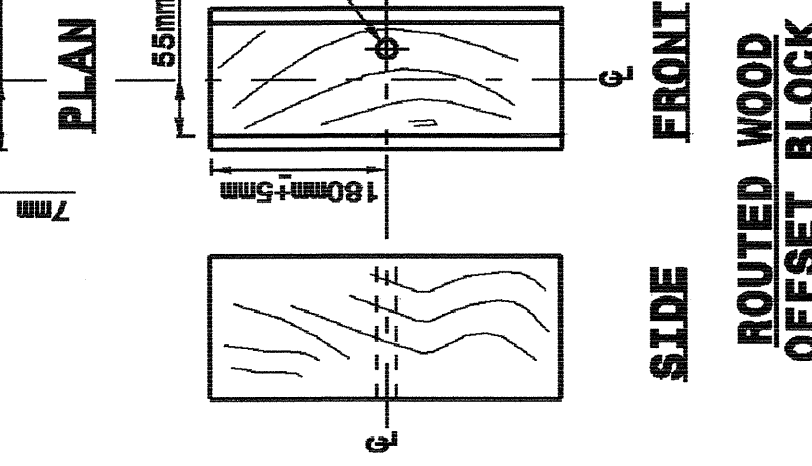
SHEET 4 OF 7  
**862D02**



**WOOD OFFSET BLOCK**  
 (FOR WOOD POSTS)



**SOIL PLATE**  
 6mm THICK



**BEARING PLATE**  
 18mm THICK PLATE

**SHORT WOOD BREAKAWAY POST**

**STANDARD LINE POST**

**"W150" STEEL POST**

**Note:**  
 This drawing is dimensioned in millimeters unless otherwise depicted within the drawing.

STATE OF  
 NORTH CAROLINA  
 DEPT. OF TRANSPORTATION  
 DIVISION OF HIGHWAYS  
 RALEIGH, N.C.

METRIC DETAIL DRAWING FOR  
**GUARDRAIL INSTALLATION**

SHEET 4 OF 7  
**862D02**

DESIGN SERVICES UNIT  
 STANDARDS AND SPECIAL DESIGN  
 Office 919-250-4128 FAX 919-250-4119

**SEE PLATE FOR TITLE**

ORIGINAL BY: 2002 STD.862.02 DATE:  
 MODIFIED BY: E.E. WARD DATE: 02-09-03  
 CHECKED BY: DATE:  
 FILE SPEC.: /usr/stds/02todetail/metric/86202/862d02m.dgn

