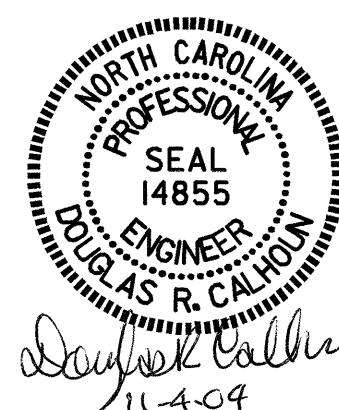
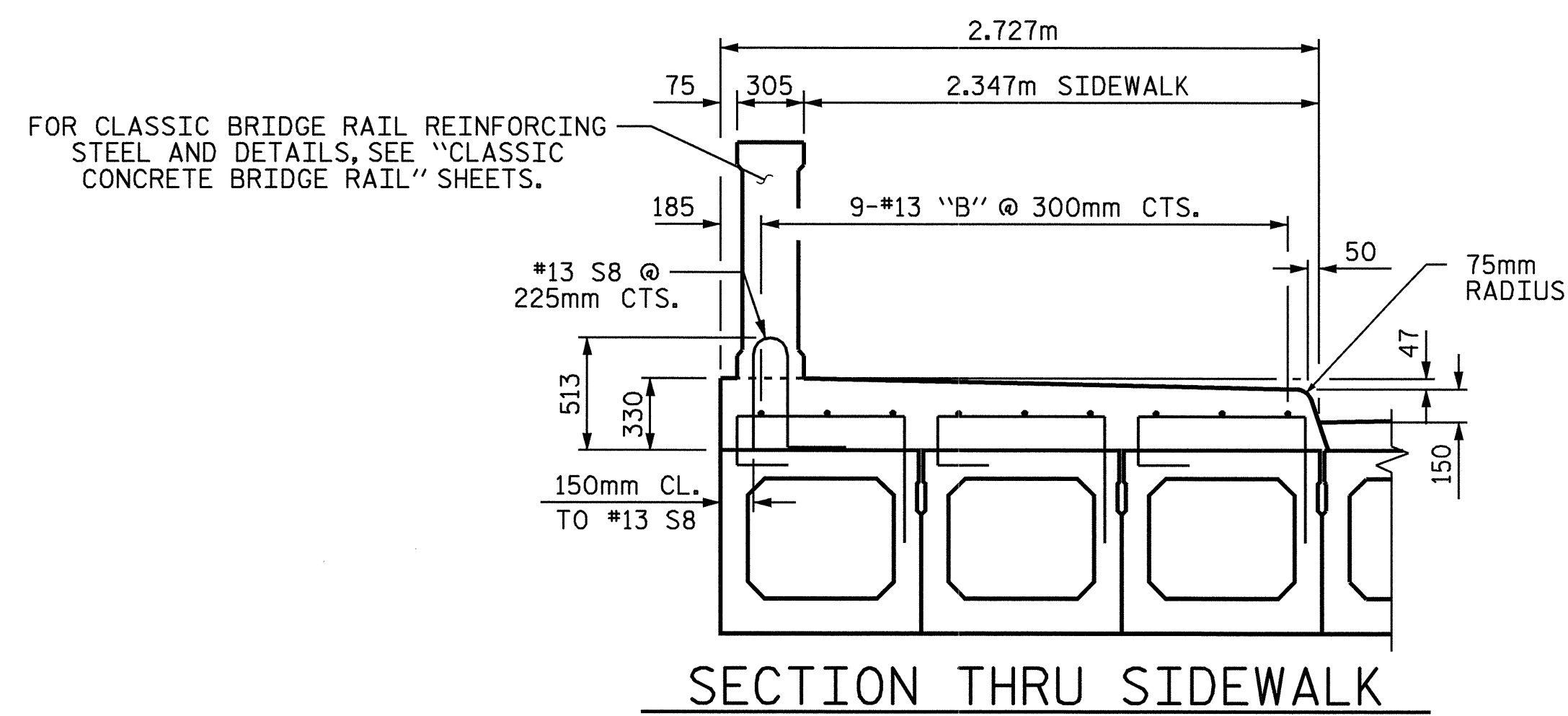


**TYPICAL SECTION**



PROJECT NO. B-2583  
MADISON COUNTY  
 STATION: 12+21.750 -L-

SHEET 2 of 7

STATE OF NORTH CAROLINA  
 DEPARTMENT OF TRANSPORTATION  
 RALEIGH  
 B-II 914  
 PRESTRESSED CONCRETE  
 BOX BEAM  
 TYPICAL SECTION  
 SPANS B THRU H

REVISIONS						SHEET NO.	
NO.	BY:	DATE:	NO.	BY:	DATE:	S-9	
1			3			TOTAL SHEETS 112	
2			4				

DRAWN BY : T. A. HARRIS DATE : 7/28/04  
 CHECKED BY : K. P. SEDAI DATE : 8/10/04

04-NOV-2004 15:34  
 W:\squad\b2583\taharris\Microstation\str\B2583.sd.bb.01.dgn  
 TAHarris