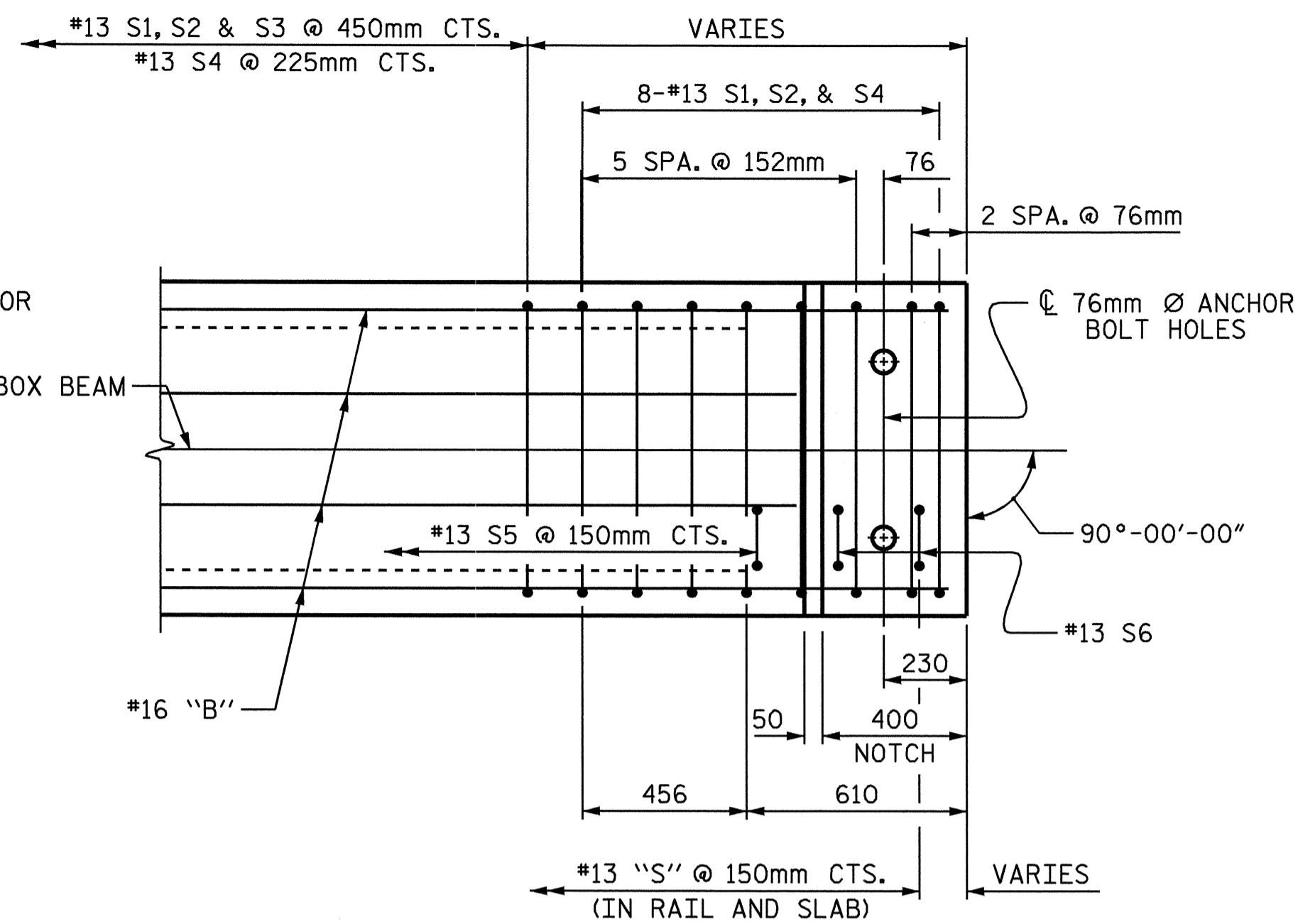


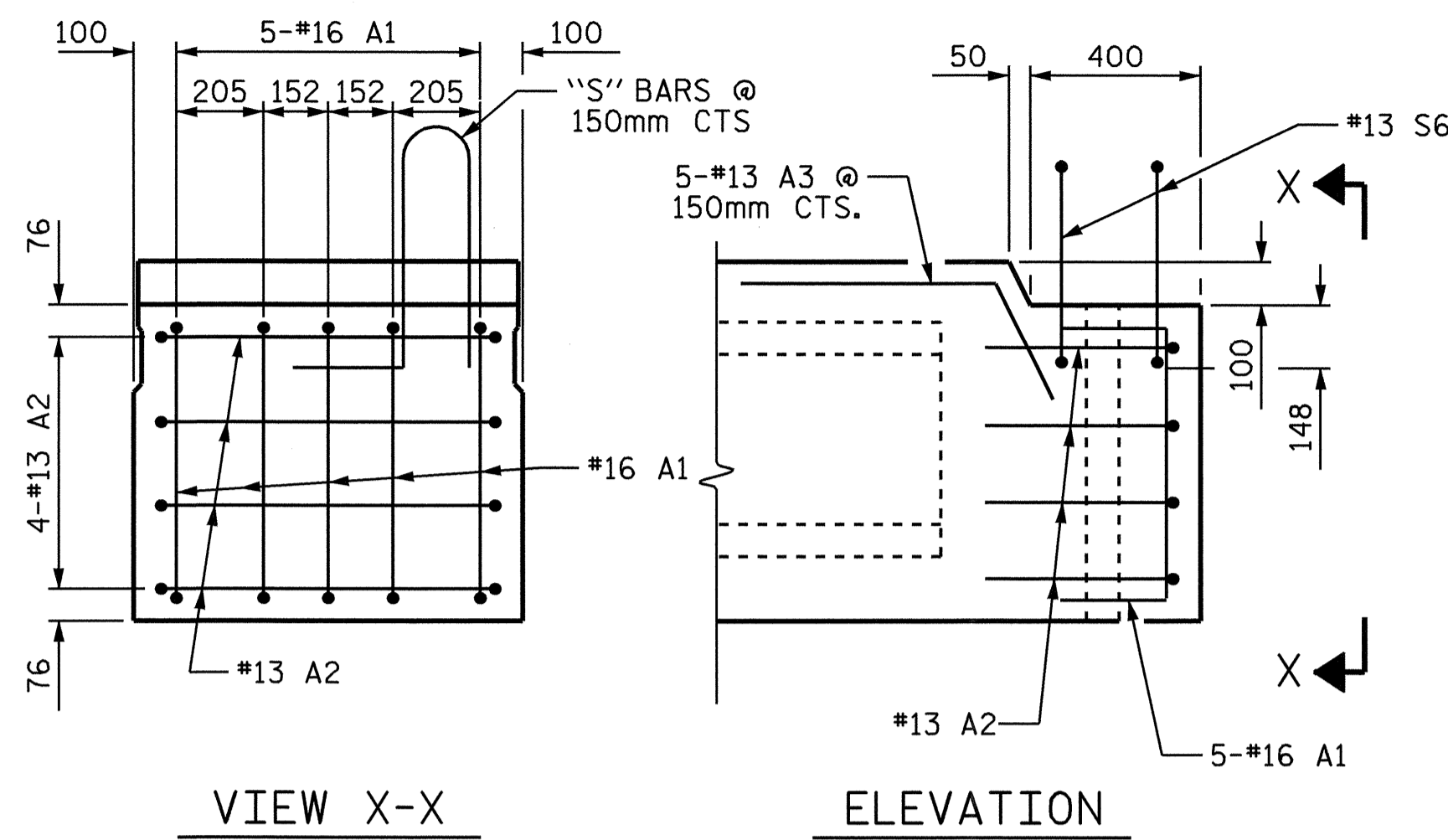
**TYPICAL END BLOCK - EXTERIOR/  
INTERIOR (SIDEWALK) SECTION**

NOTE: EXTERIOR SECTION (LEFT SIDE) SHOWN - INTERIOR (NOT SIDEWALK) SECTION SIMILAR EXCEPT OMIT S7 BARS. "A" BARS NOT SHOWN FOR CLARITY

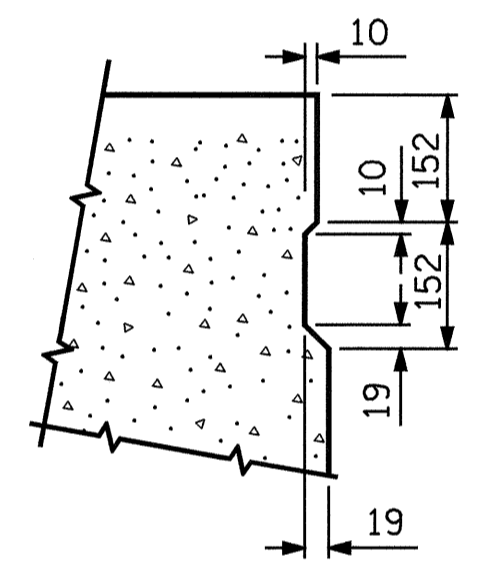


**TYPICAL END BLOCK - EXTERIOR SECTION**

NOTE: EXTERIOR SECTION (RIGHT SIDE) SHOWN - INTERIOR SECTION (NOT SIDEWALK) SECTION SIMILAR EXCEPT OMIT S5 & S6 BARS. "A" BARS NOT SHOWN FOR CLARITY

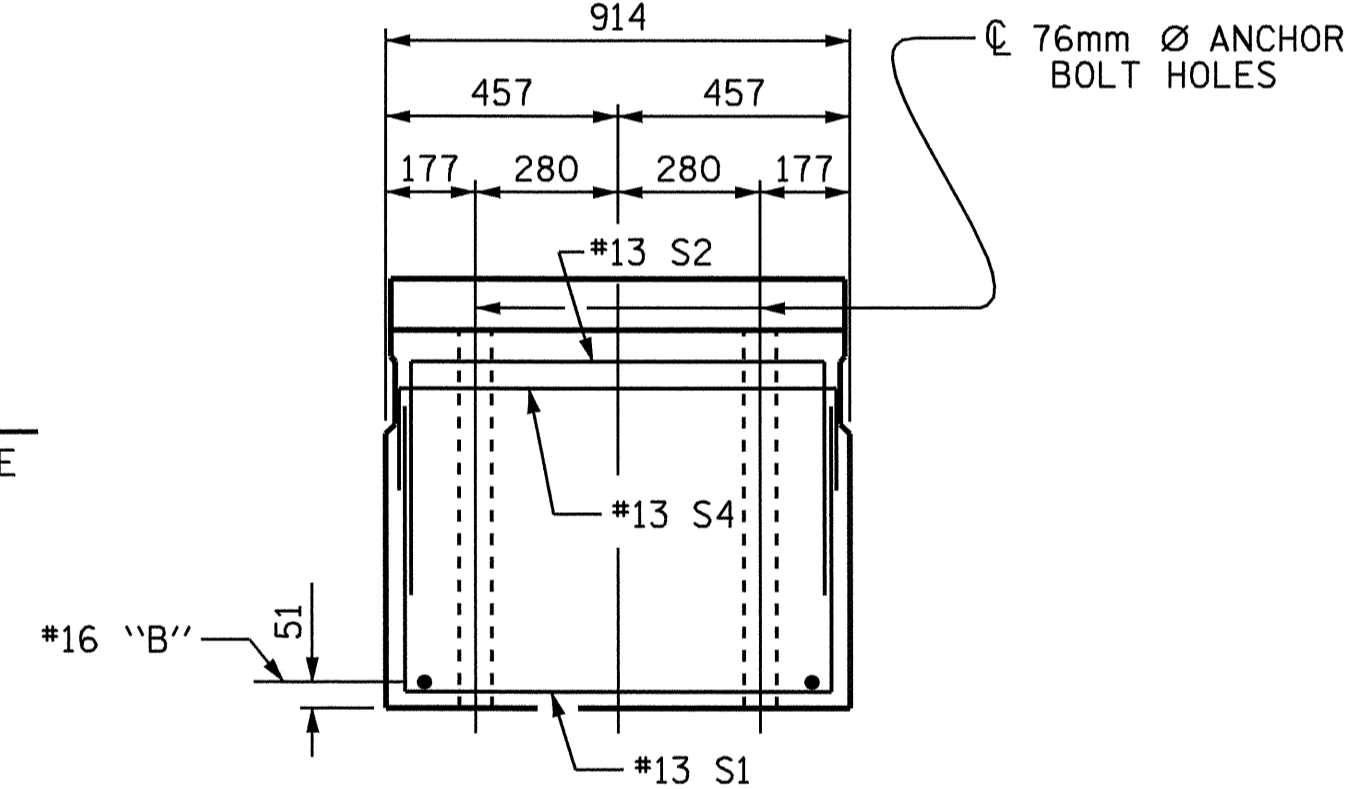


**VIEW X-X  
ELEVATION  
END OF BOX BEAM DETAILS**



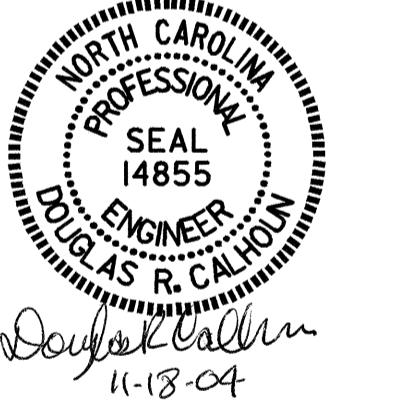
**SHEAR KEY DETAIL**

NOTE: OMIT SHEAR KEY ON OUTSIDE FACE OF EXTERIOR BOX BEAM.



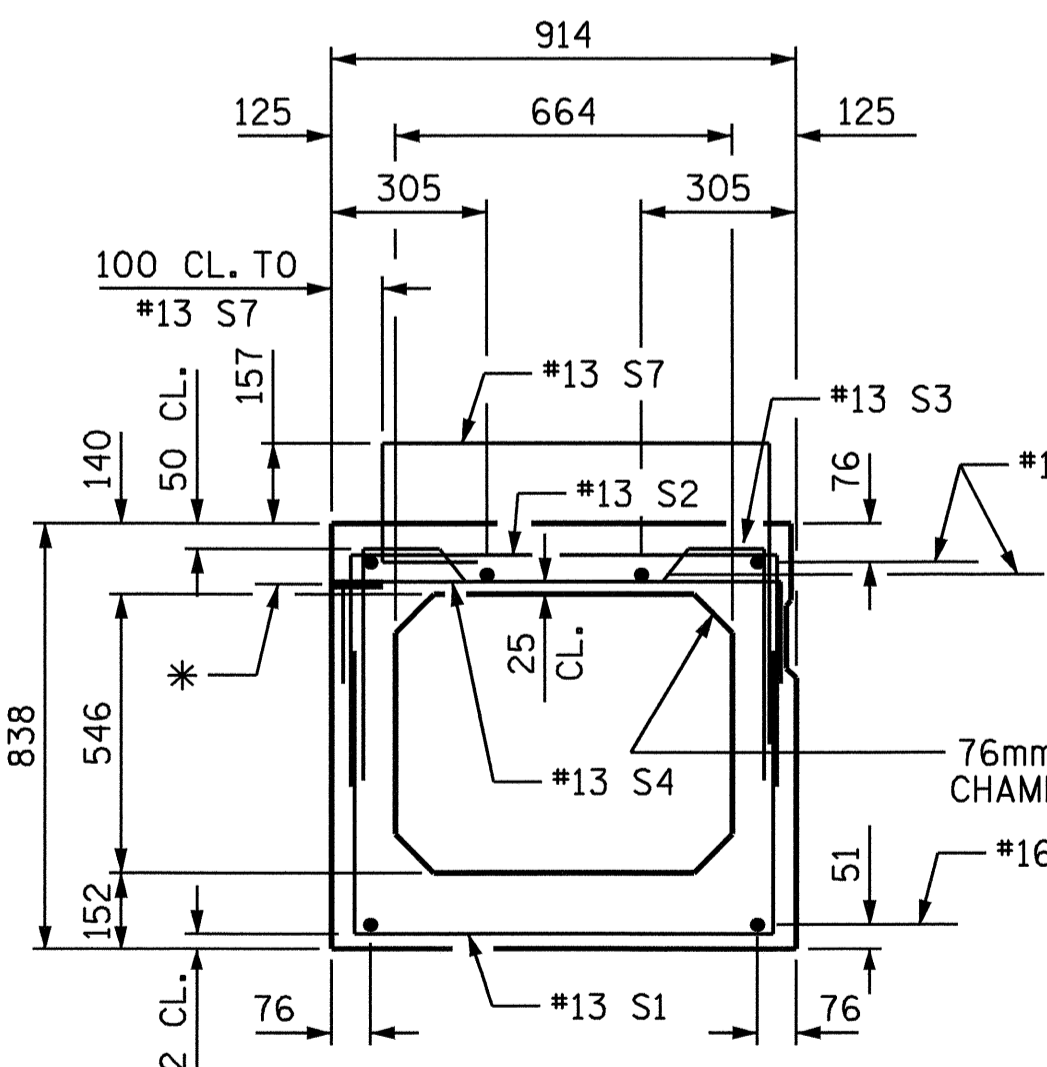
**END ELEVATION**

SHOWING PLACEMENT OF STIRRUPS AND LOCATION OF ANCHOR BOLT HOLES. (STRAND LAYOUT NOT SHOWN) INTERIOR BOX BEAM SHOWN-EXTERIOR BOX BEAM SIMILAR EXCEPT SHEAR KEY LOCATION.

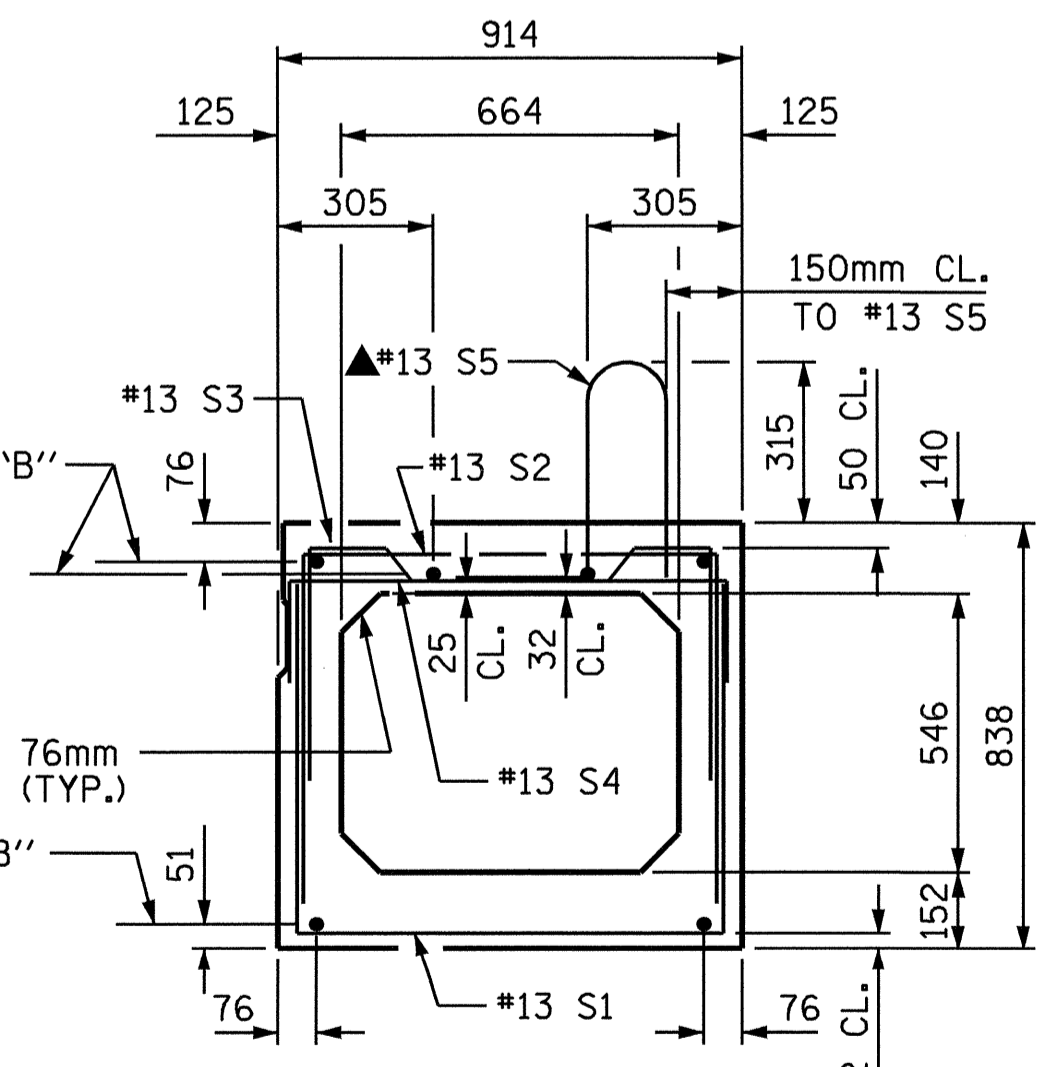


\* CENTERLINE 19.05mm DIAMETER APPROVED INSERTS FOR ATTACHING WATER MAIN. SEE "PLAN OF SPANS" FOR SPACING AND "UTILITY ATTACHMENT DETAIL SHEET" FOR DETAILS. INCLUDE COST OF FURNISHING AND PLACING INSERTS IN THE UNIT PRICE BID FOR "PRESTRESSED CONCRETE BOX BEAMS."

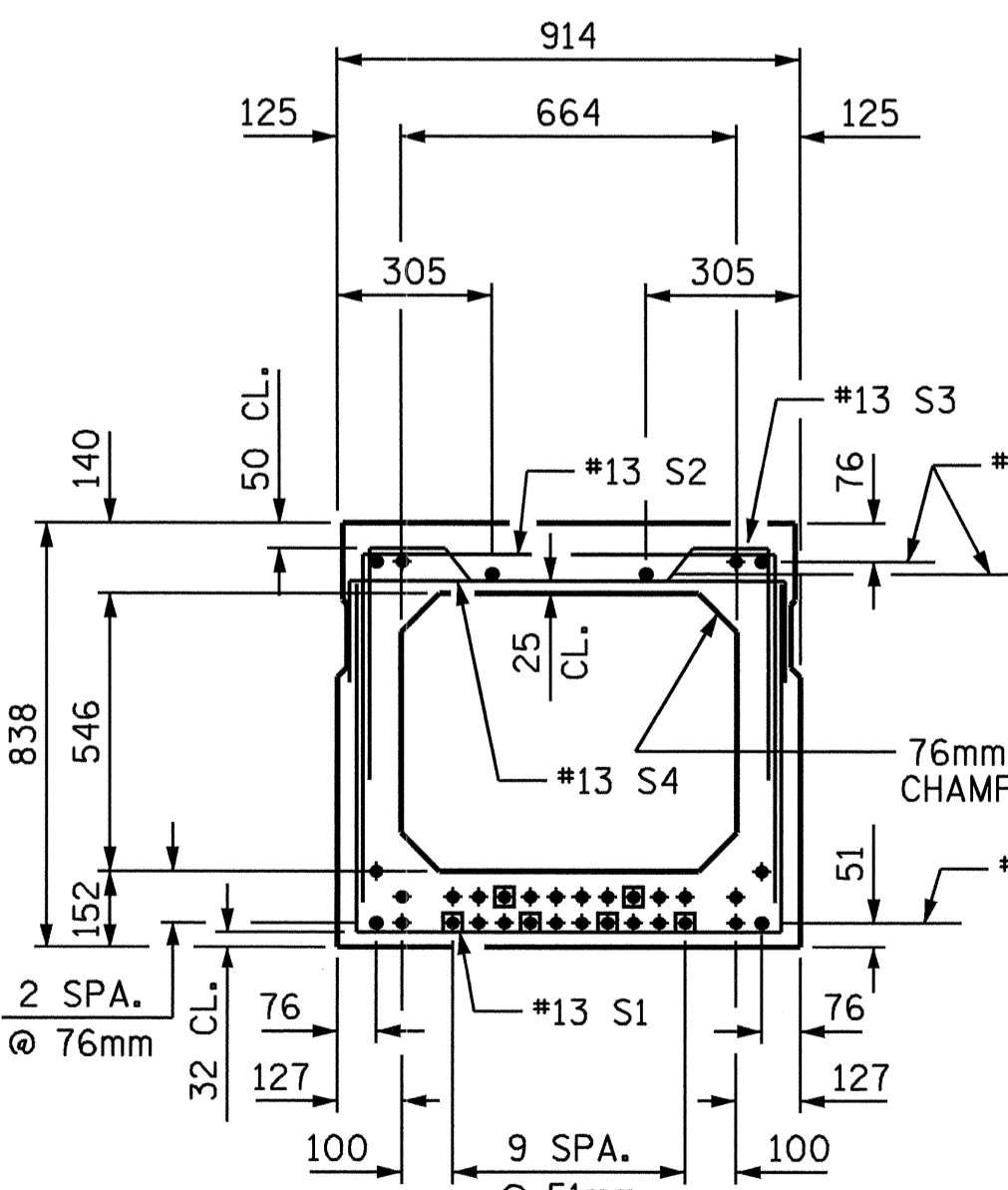
▲ RAKE THE TOP SURFACE OF ALL BOX BEAMS TO A DEPTH OF 10mm EXCEPT IN THE AREA BETWEEN THE STIRRUP AND THE BEAM EDGE ON EXTERIOR BOX BEAMS.



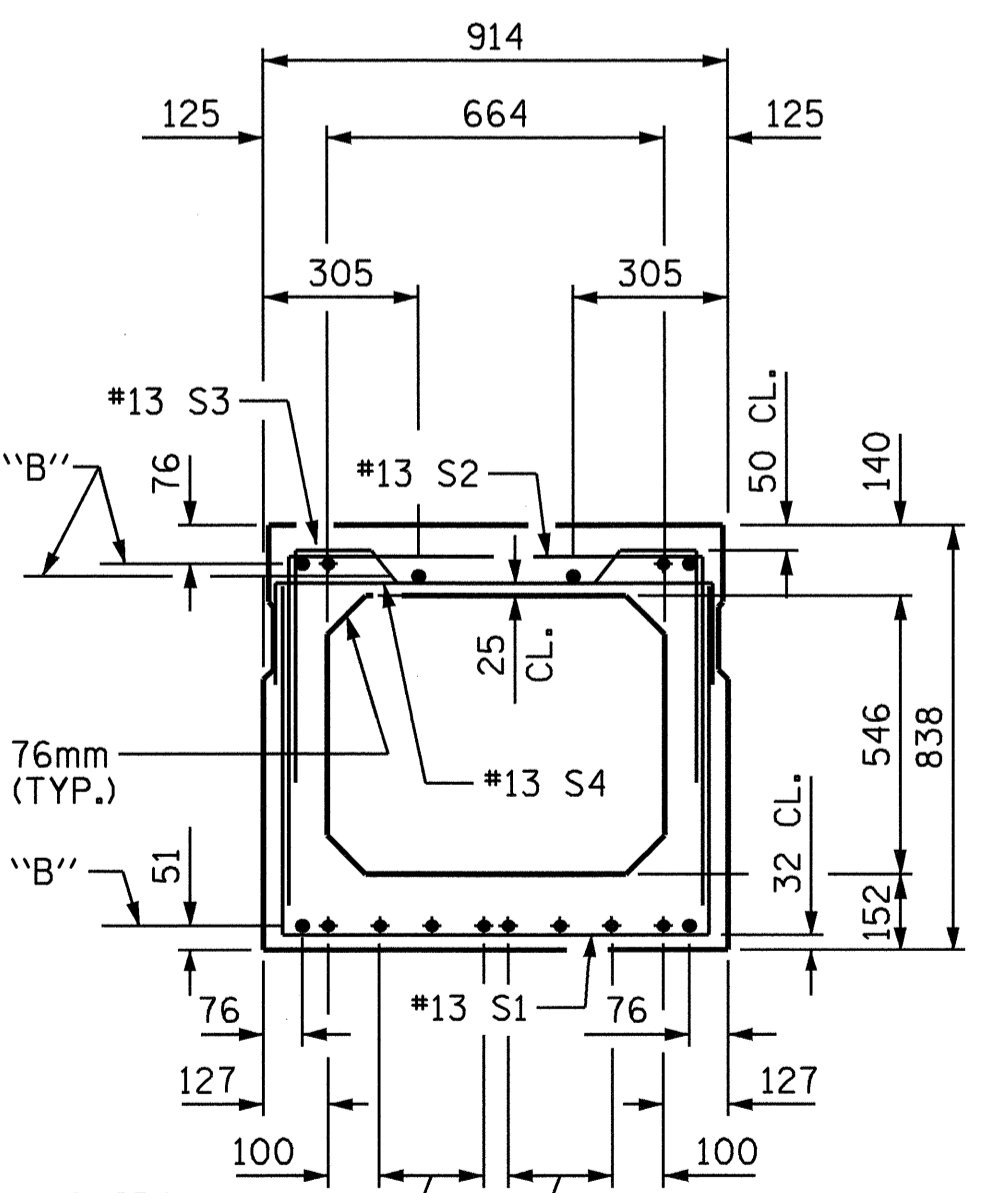
**EXTERIOR/INTERIOR (SIDEWALK)  
BOX BEAM SECTION (LEFT SIDE)**  
(FOR PRESTRESSED STRAND LAYOUT, SEE INTERIOR BOX BEAM SECTION)



**EXTERIOR BOX BEAM SECTION (RIGHT SIDE)**  
(FOR PRESTRESSED STRAND LAYOUT, SEE INTERIOR BOX BEAM SECTION)



**INTERIOR BOX BEAM SECTION**  
SPANS A THRU H (28 STRANDS REQUIRED)



**INTERIOR BOX BEAM SECTION**  
SPAN I (10 STRANDS REQUIRED)

**12.70mm Ø LOW RELAXATION STRAND LAYOUT**

■ BOND SHALL BE BROKEN AT THESE STRANDS AT A DISTANCE OF 1.22 METERS FROM THE END OF THE BOX BEAM. SEE STANDARD SPECIFICATION ARTICLE 1078-7.

DRAWN BY: T. A. HARRIS DATE: 7/28/04  
CHECKED BY: K. P. SEDAL DATE: 8/16/04

18-NOV-2004 15:23  
W:\gallen\B2583\str\B2583.sd.bb.0l.dgn  
gallen

PROJECT NO. B-2583  
MADISON COUNTY  
STATION: 12+21.750 -L-  
SHEET 4 OF 7

STATE OF NORTH CAROLINA  
DEPARTMENT OF TRANSPORTATION  
RALEIGH  
**B-II 914  
PRESTRESSED CONCRETE  
BOX BEAM  
TYPICAL SECTION  
DETAILS**

REVISIONS						SHEET NO.
NO.	BY:	DATE:	NO.	BY:	DATE:	S-11
1			3			TOTAL SHEETS
2			4			112