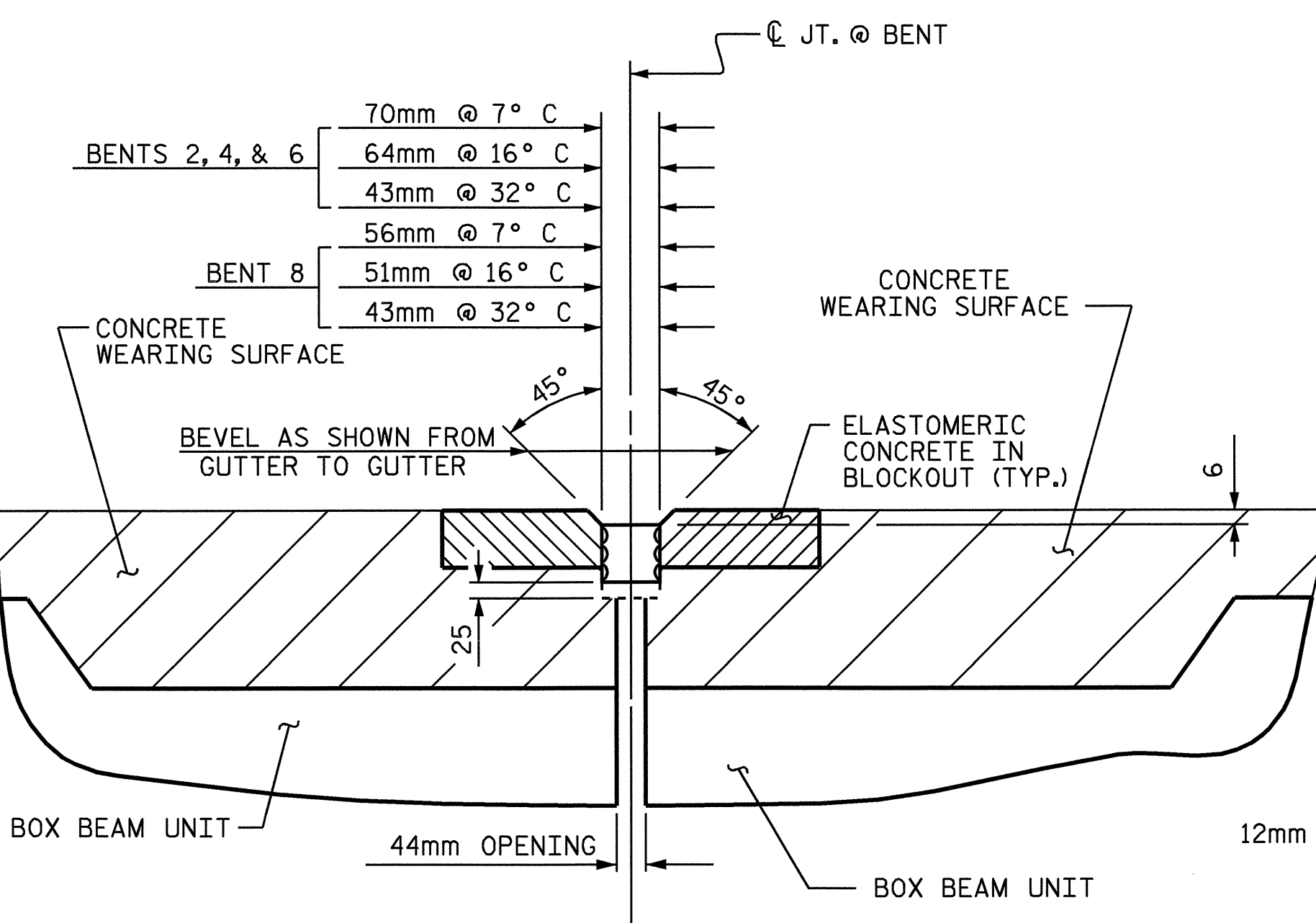
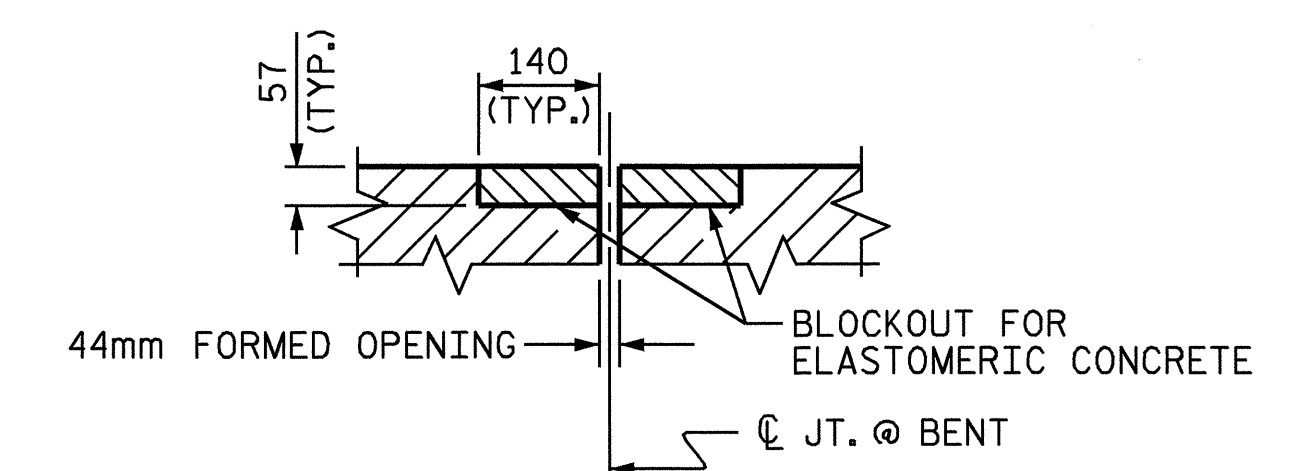


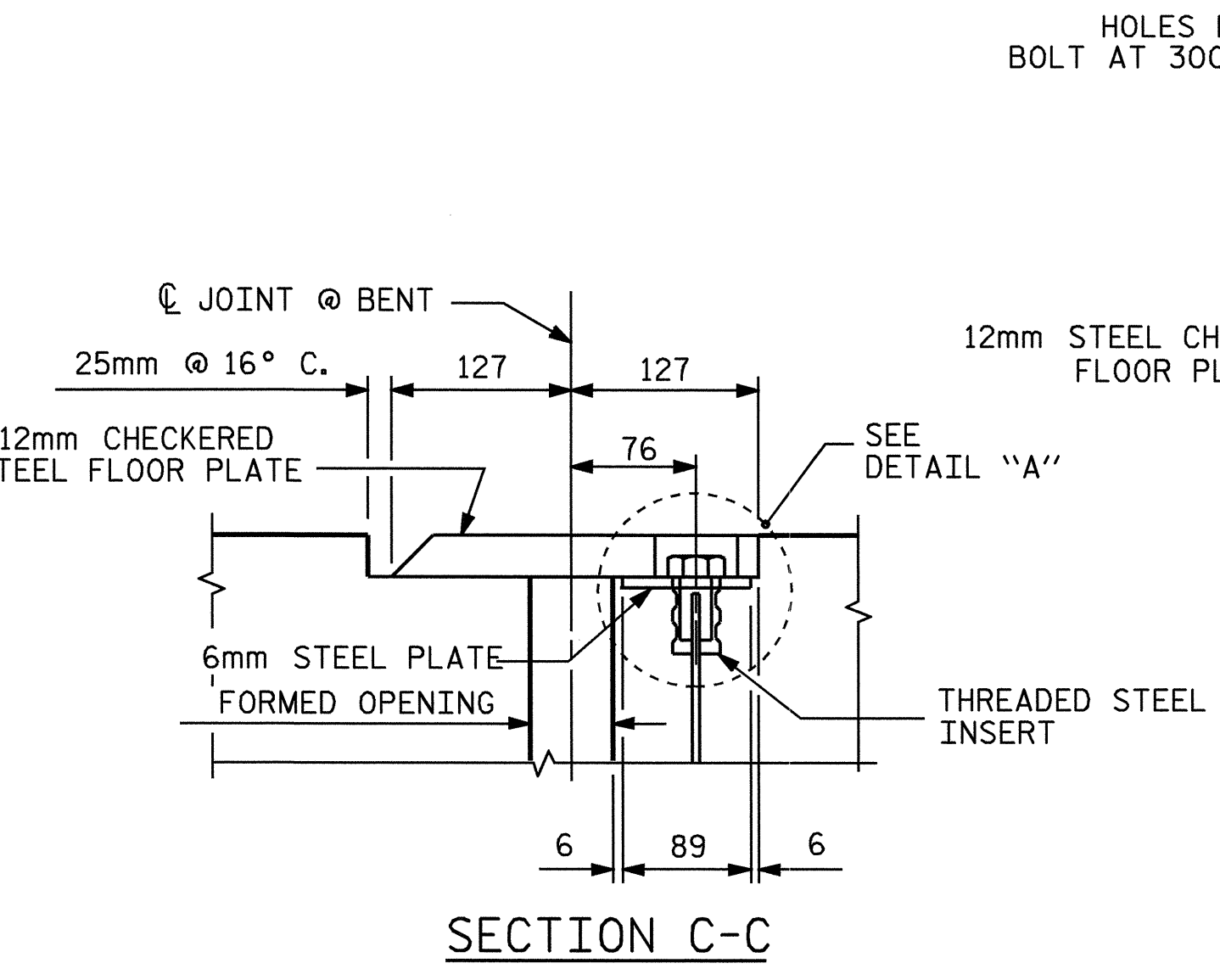
PLAN OF EVAZOTE JOINT SEAL WITH COVER PLATE



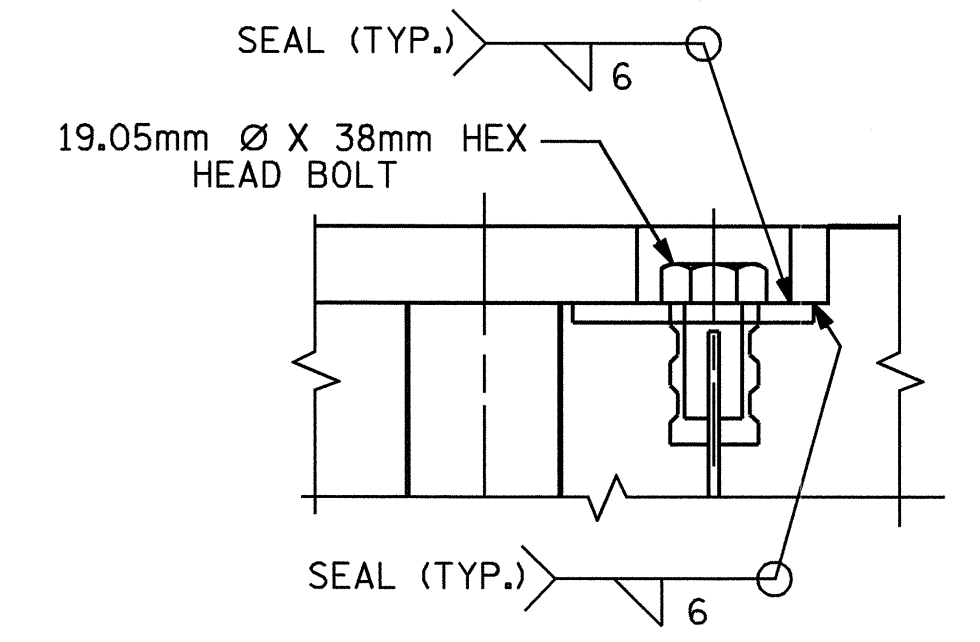
SECTION B-B EVAZOTE JOINT SEAL



SECTION B-B EVAZOTE JOINT SEAL (PRE-SAWED ELASTOMERIC CONCRETE DIMENSIONS)

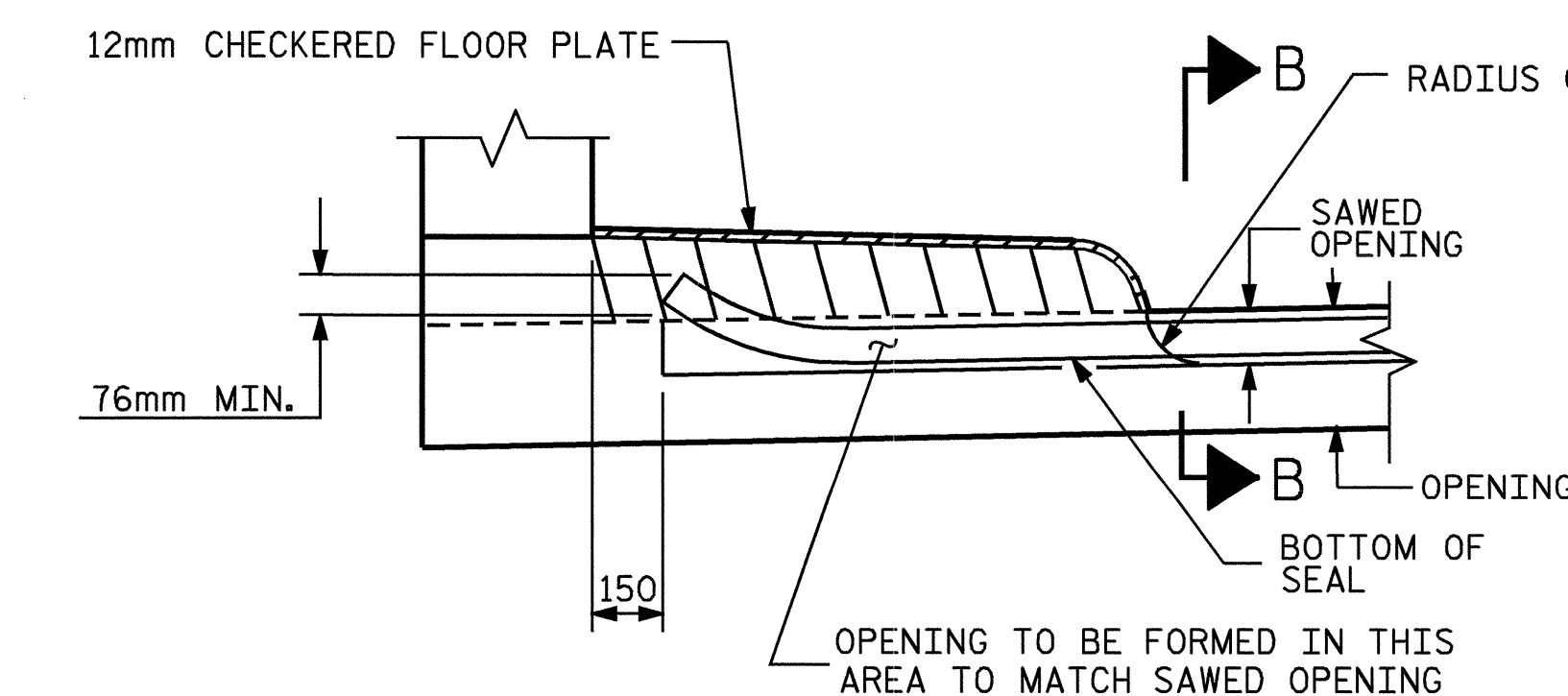


SECTION C-C



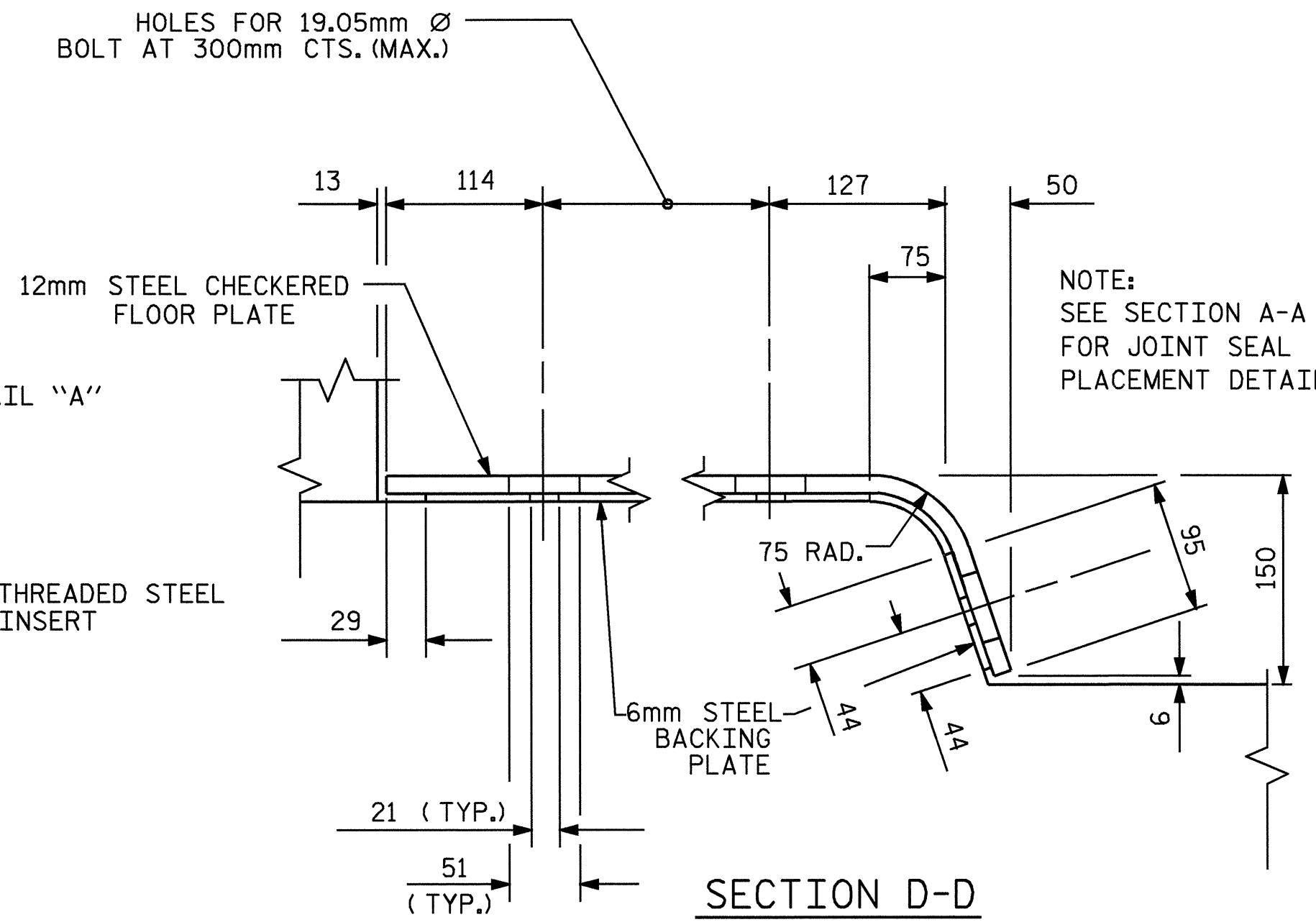
DETAIL "A"

SIDEWALK COVER PLATE DETAILS FOR EVAZOTE JOINT SEALS



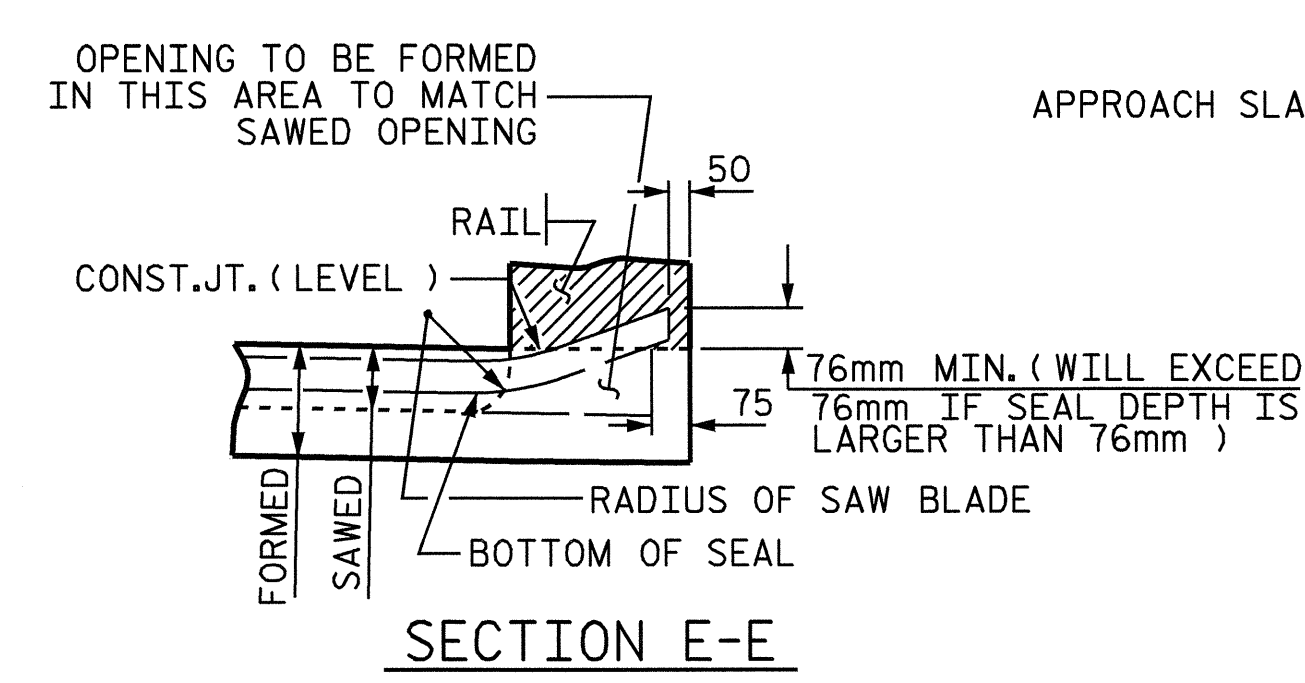
SECTION A-A

SIDEWALK WITH EVAZOTE JOINT SEAL



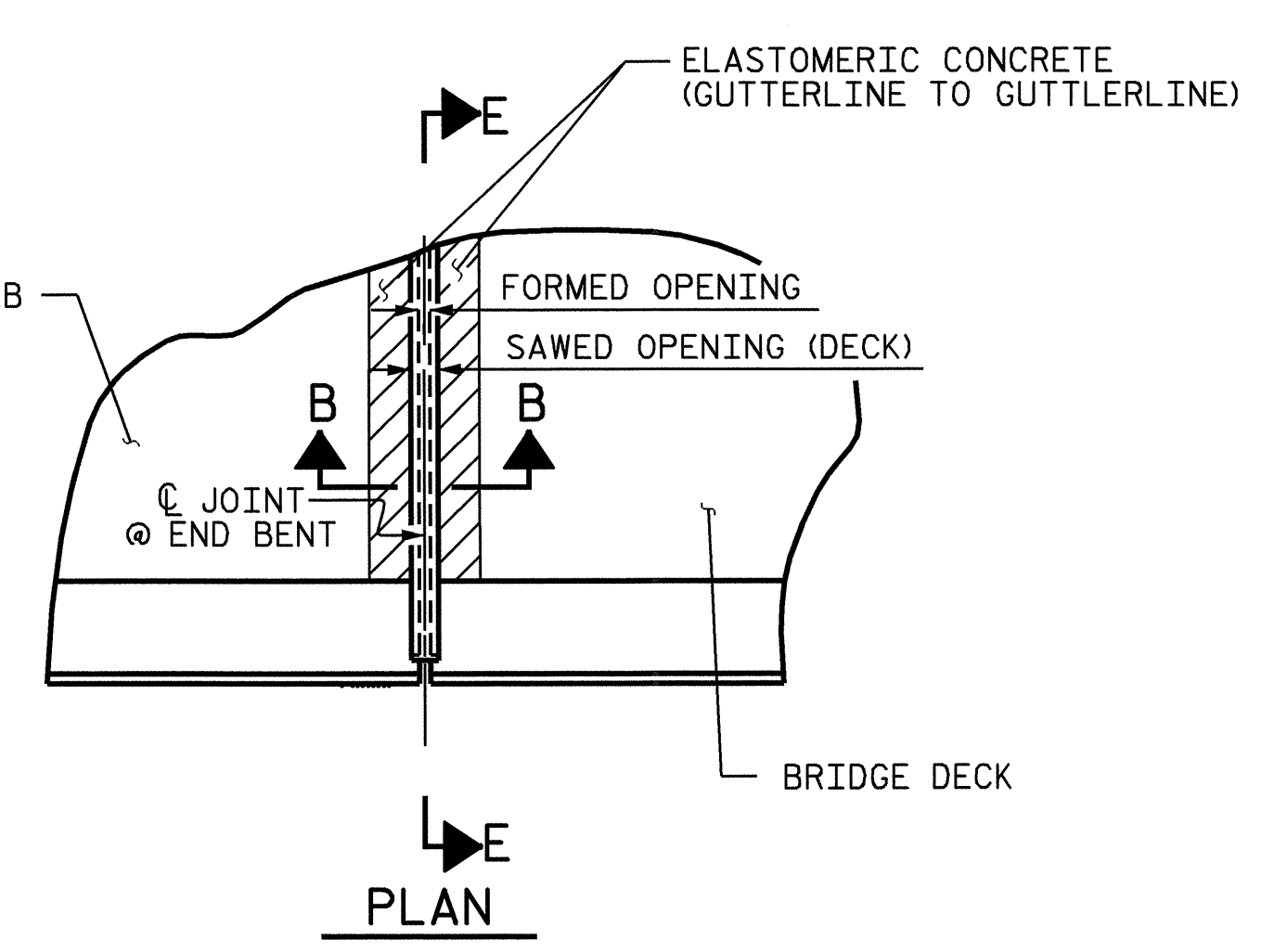
SECTION D-D

SIDEWALK WITH EVAZOTE JOINT SEAL



SECTION E-E

CLASSIC RAIL WITH EVAZOTE JOINT SEAL



PLAN

NOTES
 THE STEEL PLATES SHALL CONFORM TO AASHTO M270 GRADE 250 OR APPROVED EQUAL. AFTER FABRICATION, THE PLATES SHALL BE COMMERCIALY BLAST CLEANED AND COATED WITH A MINIMUM THICKNESS OF 0.100mm DRY) OF ZINC-RICH PAINT IN ACCORDANCE WITH THE STANDARD SPECIFICATIONS. AT THE CONTRACTOR'S OPTION, THESE SURFACES MAY BE METALLIZED TO A MINIMUM THICKNESS OF 0.150mm MILS. SEE SPECIAL PROVISIONS FOR THERMAL SPRAYED COATINGS (METALLIZATION). THE 19.05mm DIAMETER HEX HEAD BOLTS SHALL CONFORM TO ASTM F593 ALLOY 304 STAINLESS STEEL.
 THE 19.05mm CONCRETE INSERTS SHALL BE CLOSED-END FERRULES WITH LOOPED WIRE STRUTS ATTACHED TO THEM. THE INSERTS SHALL CONFORM TO AASHTO M169, GRADE 12L14 AND SHALL HAVE A TENSILE WORKING LOAD CAPACITY OF 13.3 kN.
 NO SEPARATE PAYMENT WILL BE MADE FOR FURNISHING AND INSTALLING THE COVER PLATE. THE ENTIRE COST OF THIS WORK SHALL BE INCLUDED IN THE LUMP SUM PRICE FOR "EVAZOTE JOINT SEALS."
 FOR EVAZOTE JOINT SEALS, SEE SPECIAL PROVISIONS.
 THE NOMINAL UNCOMPRESSED SEAL WIDTH OF THE EVAZOTE JOINT SEAL SHALL BE 80mm (BENTS 2, 4, AND 6) AND 64mm (BENT 8).
 FOR ELASTOMERIC CONCRETE, SEE SPECIAL PROVISIONS.
 THE COST OF THE ELASTOMERIC CONCRETE WILL BE INCLUDED IN THE PAY ITEM FOR "EVAZOTE JOINT SEALS."

ELASTOMERIC CONCRETE QUANTITIES	
BENT 2	0.1 m ³
BENT 4	0.1 m ³
BENT 6	0.1 m ³
BENT 8	0.1 m ³

PROJECT NO. B-2583
MADISON COUNTY
 STATION: 12+21.750 -L-
 SHEET 7 of 7

STATE OF NORTH CAROLINA
 DEPARTMENT OF TRANSPORTATION
 RALEIGH
 B-II 914
 PRESTRESSED CONCRETE
 BOX BEAM
 TYPICAL SECTION
 DETAILS



REVISIONS						SHEET NO.
NO.	BY:	DATE:	NO.	BY:	DATE:	S-14
1			3			TOTAL SHEETS 112
2			4			

DRAWN BY: T. A. HARRIS DATE: 7/28/04
 CHECKED BY: K. P. SEDAI DATE: 8/9/04