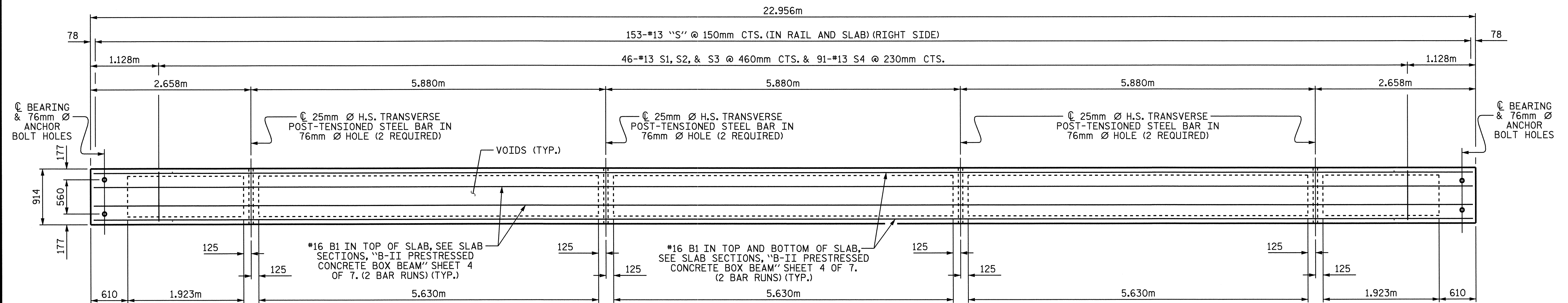


PLAN OF EXTERIOR (LEFT SIDE) BOX BEAM UNIT - SPANS B THRU F

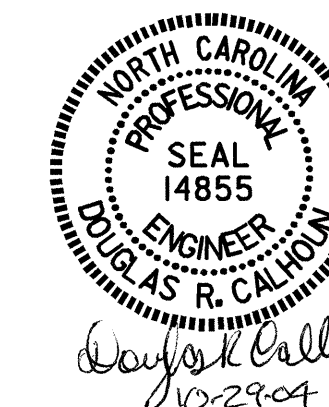
EXTERIOR (LEFT SIDE) SECTION UNDER SIDEWALK SHOWN, INTERIOR (NOT SIDEWALK) SECTION SIMILAR EXCEPT OMIT #13 S7 BARS.
FOR REINFORCING STEEL AT ENDS OF BOX BEAM UNITS, SEE "TYPICAL END BLOCK - EXTERIOR SECTION," SHEET 4 OF 7.



PLAN OF EXTERIOR (RIGHT SIDE) BOX BEAM UNIT - SPANS B THRU F

EXTERIOR (RIGHT SIDE) SECTION SHOWN, INTERIOR (NOT SIDEWALK) SECTION SIMILAR EXCEPT OMIT #13 S5 & S6 BARS.
FOR REINFORCING STEEL AT ENDS OF BOX BEAM UNITS, SEE "TYPICAL END BLOCK - EXTERIOR SECTION," SHEET 4 OF 7.

PROJECT NO. B-2583
MADISON COUNTY
 STATION: 12+21.750 -L-



STATE OF NORTH CAROLINA
 DEPARTMENT OF TRANSPORTATION
 RALEIGH

**PLAN OF
 BOX BEAM UNITS
 SPANS B THRU F**

DRAWN BY : T. A. HARRIS DATE : 7/28/04
 CHECKED BY : K. P. SEDAI DATE : 8/13/04

29-OCT-2004 09:48
 W:\squad0\b2583\tharris\Microstation\str\b2583.sd.bb.01.dgn
 TAHarris

REVISIONS						SHEET NO.
NO.	BY:	DATE:	NO.	BY:	DATE:	S-21
1			3			TOTAL SHEETS
2			4			112