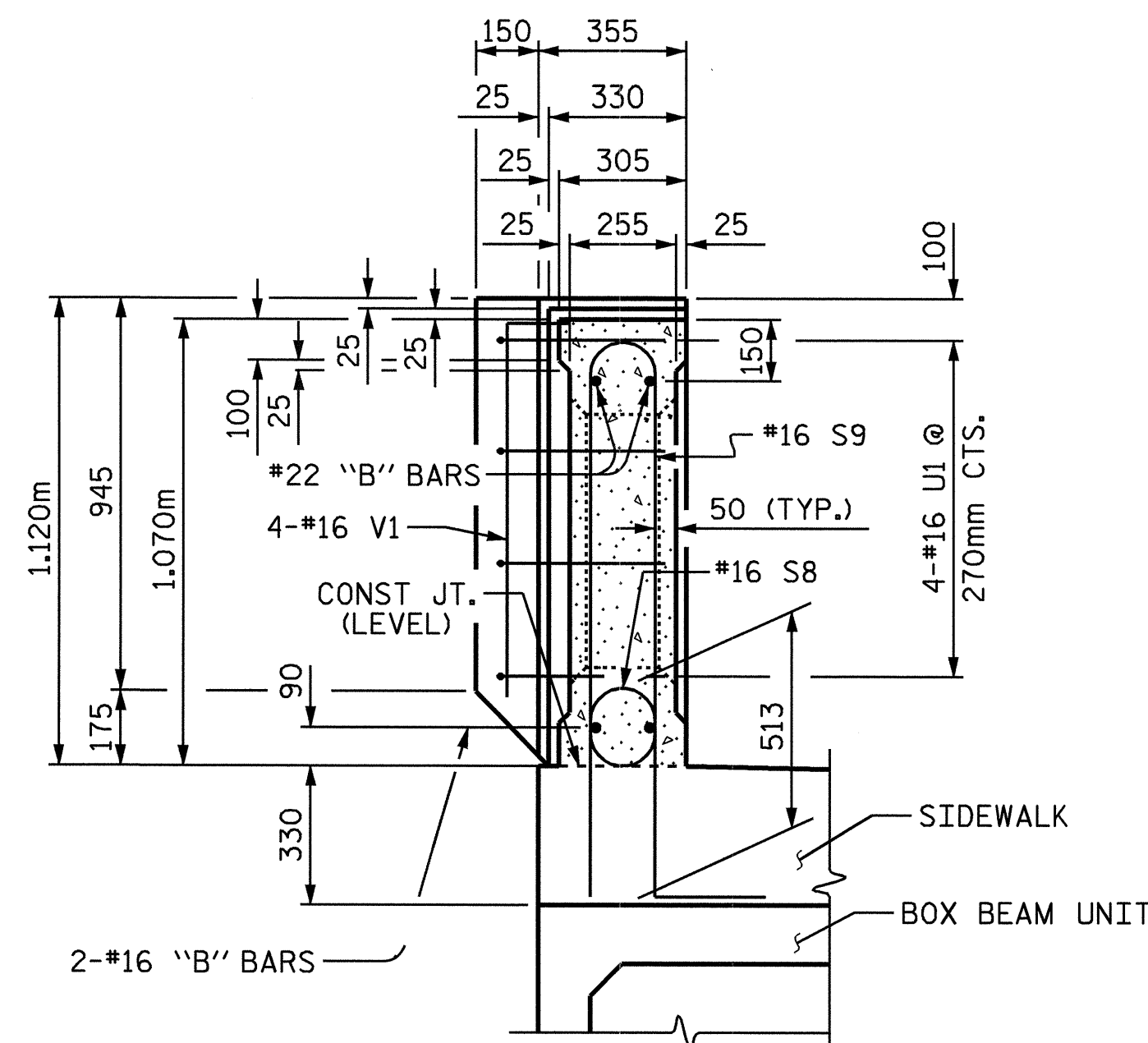


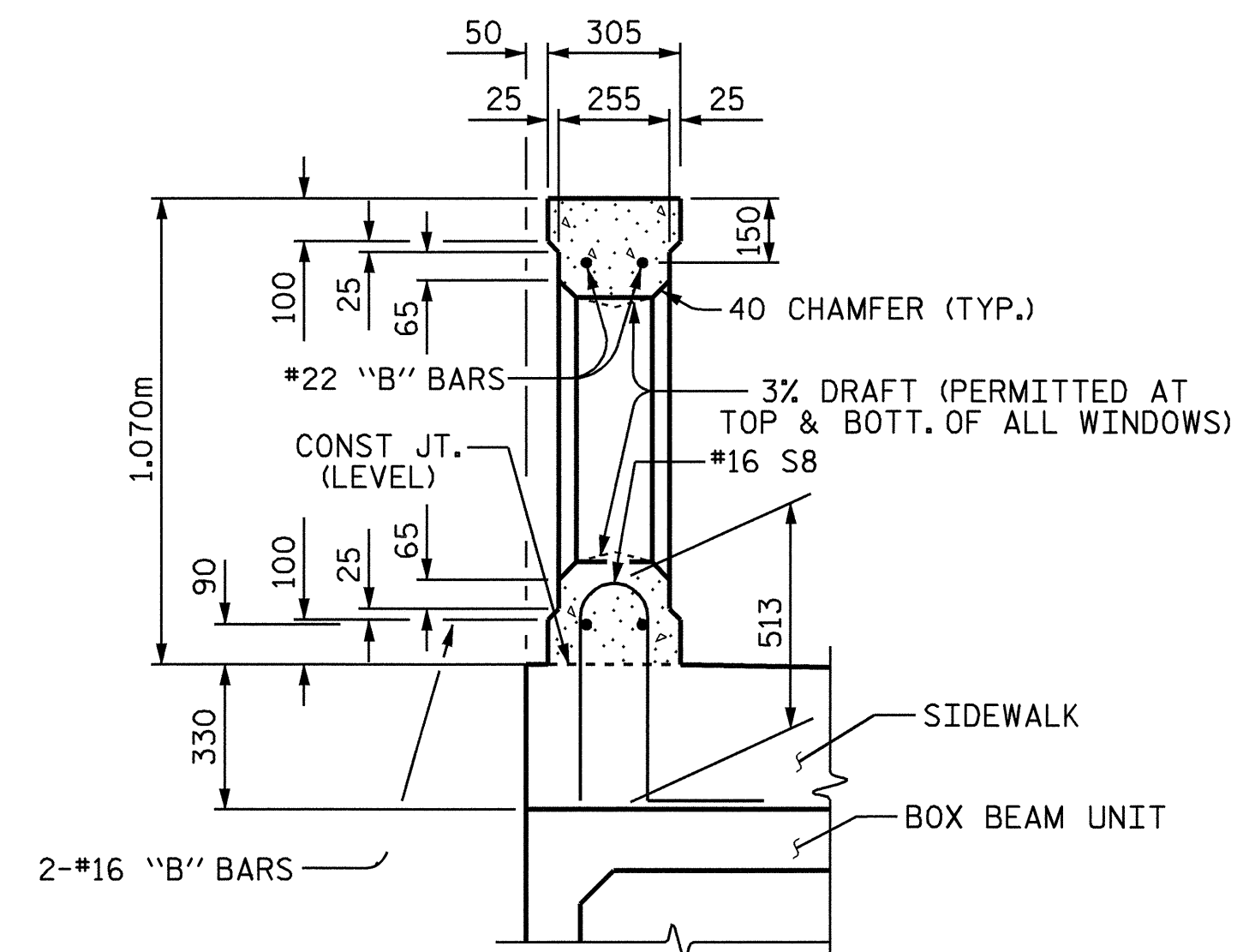
SECTION THRU POST OF RAIL

(LEFT SIDE)



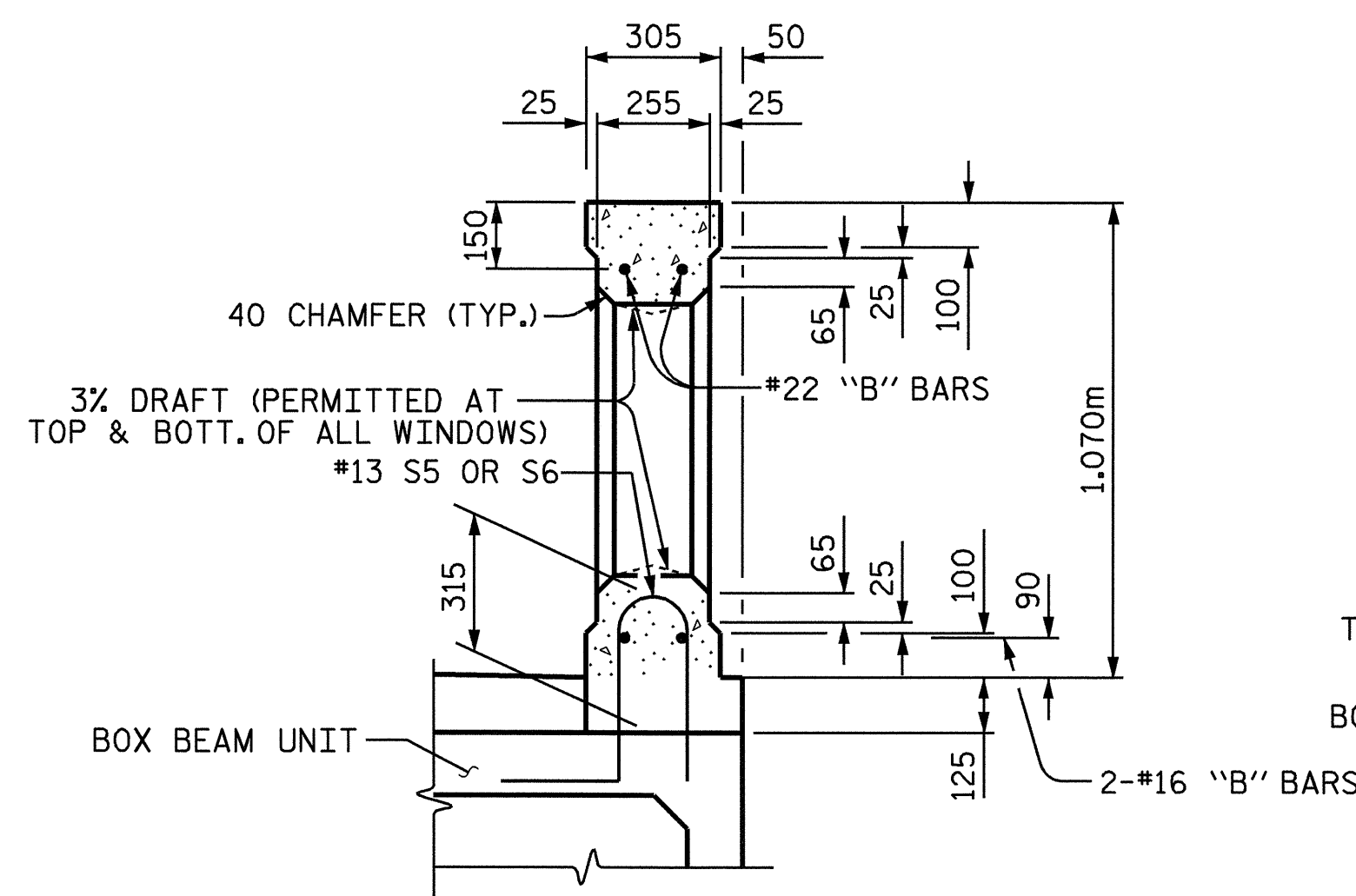
SECTION THRU LIGHT POLE PILASTER

(LEFT SIDE)



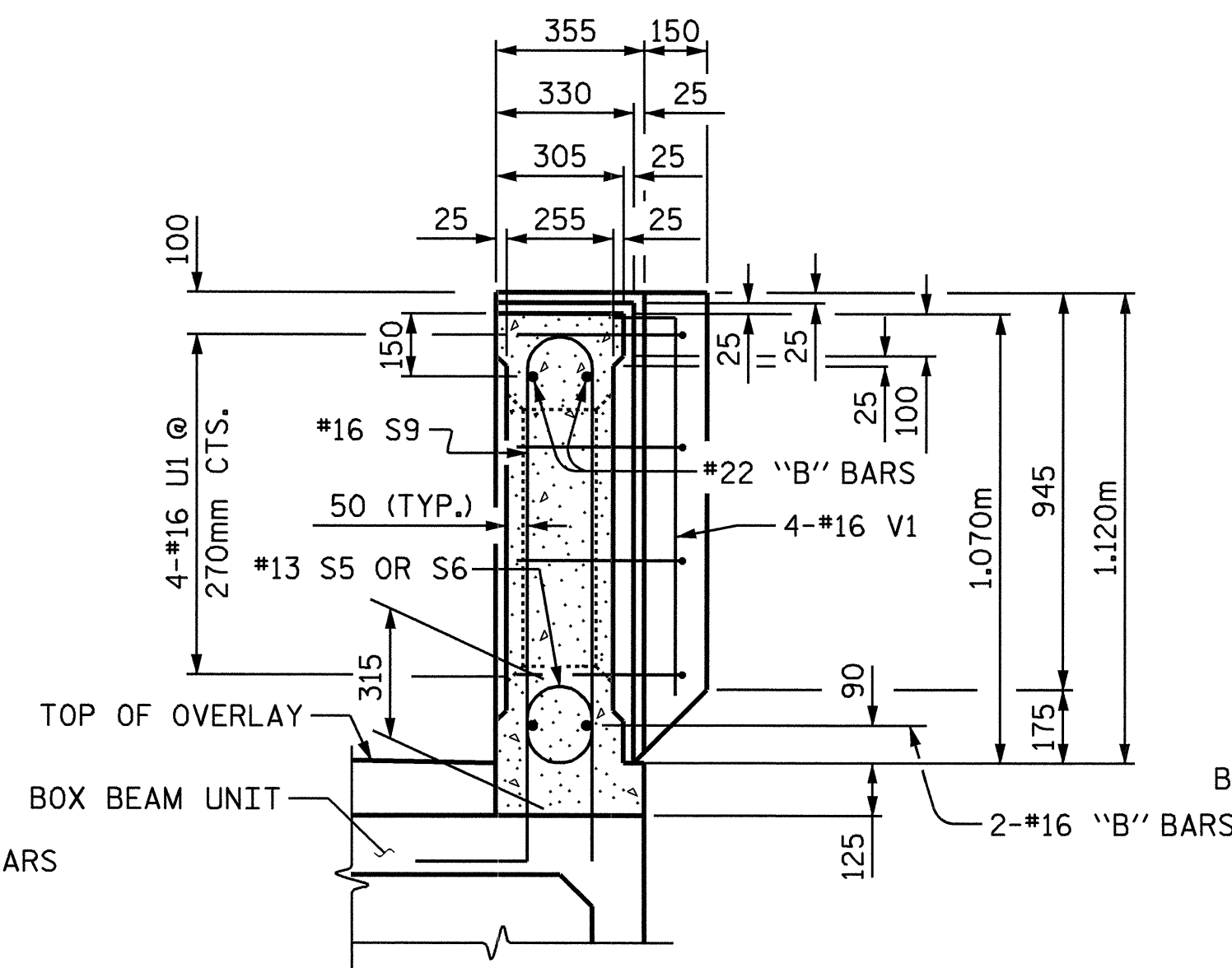
SECTION THRU WINDOW OF RAIL

(LEFT SIDE)



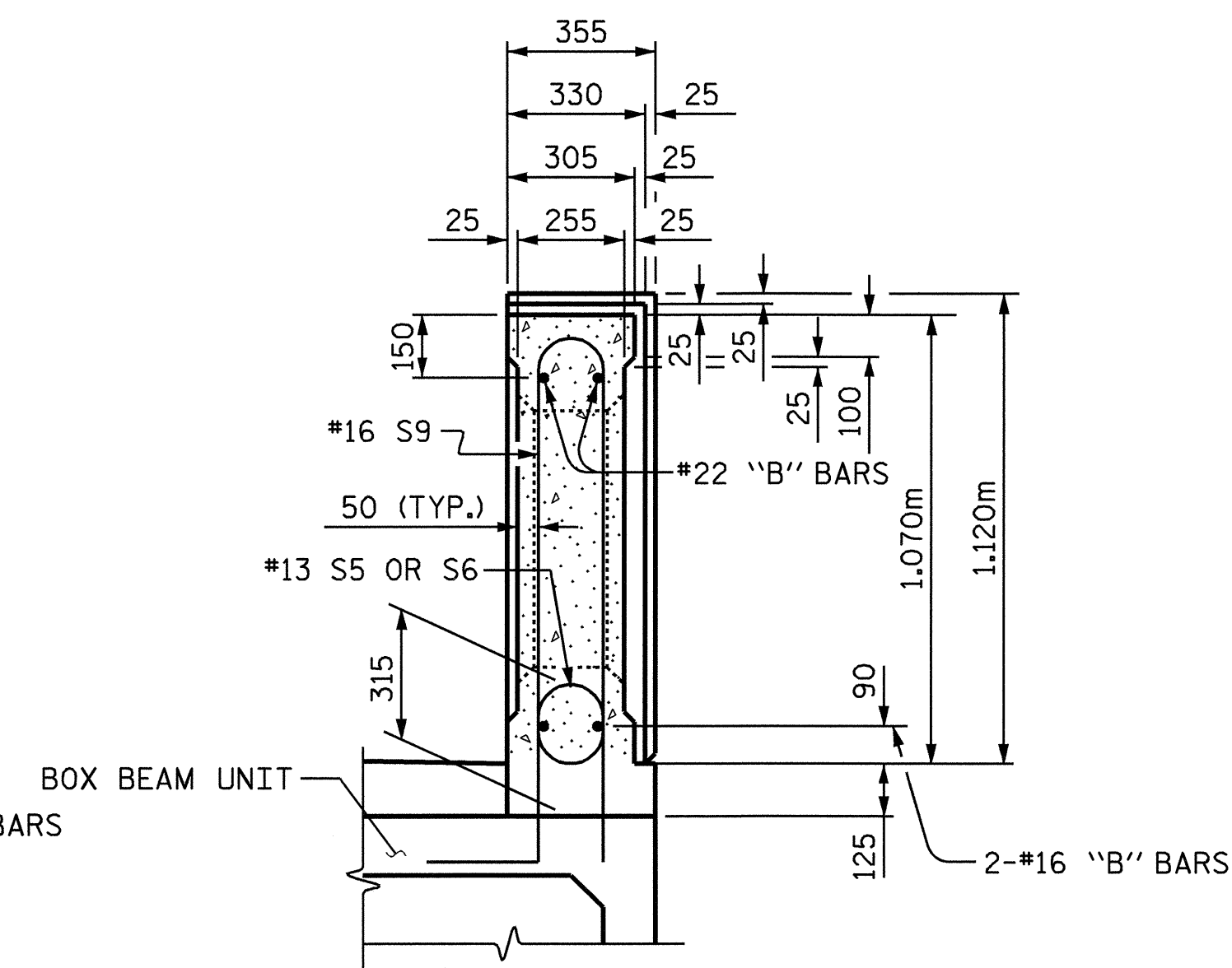
SECTION THRU WINDOW OF RAIL

(RIGHT SIDE)



SECTION THRU LIGHT POLE PILASTER

(RIGHT SIDE)



SECTION THRU POST OF RAIL

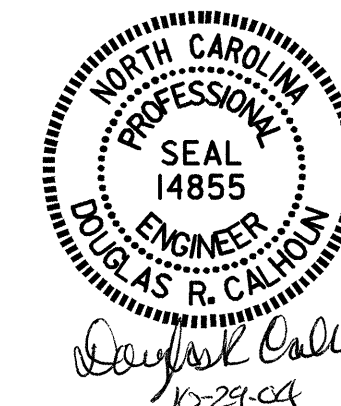
(RIGHT SIDE)

PROJECT NO. B-2583  
MADISON COUNTY  
 STATION: 12+21.750 -L-

SHEET 13 OF 13

STATE OF NORTH CAROLINA  
 DEPARTMENT OF TRANSPORTATION  
 RALEIGH

CLASSIC CONCRETE  
 BRIDGE RAIL  
 RAIL SECTIONS



DRAWN BY: T. A. HARRIS DATE: 7/28/04  
 CHECKED BY: K. P. SEDAI DATE: 8/17/04

29-OCT-2004 09:47  
 W:\squad\b2583\taharris\Microstation\str\B2583.sd.bb.01.dgn  
 TAHarris

REVISIONS						SHEET NO.
NO.	BY:	DATE:	NO.	BY:	DATE:	S-38
1			3			TOTAL SHEETS
2			4			112