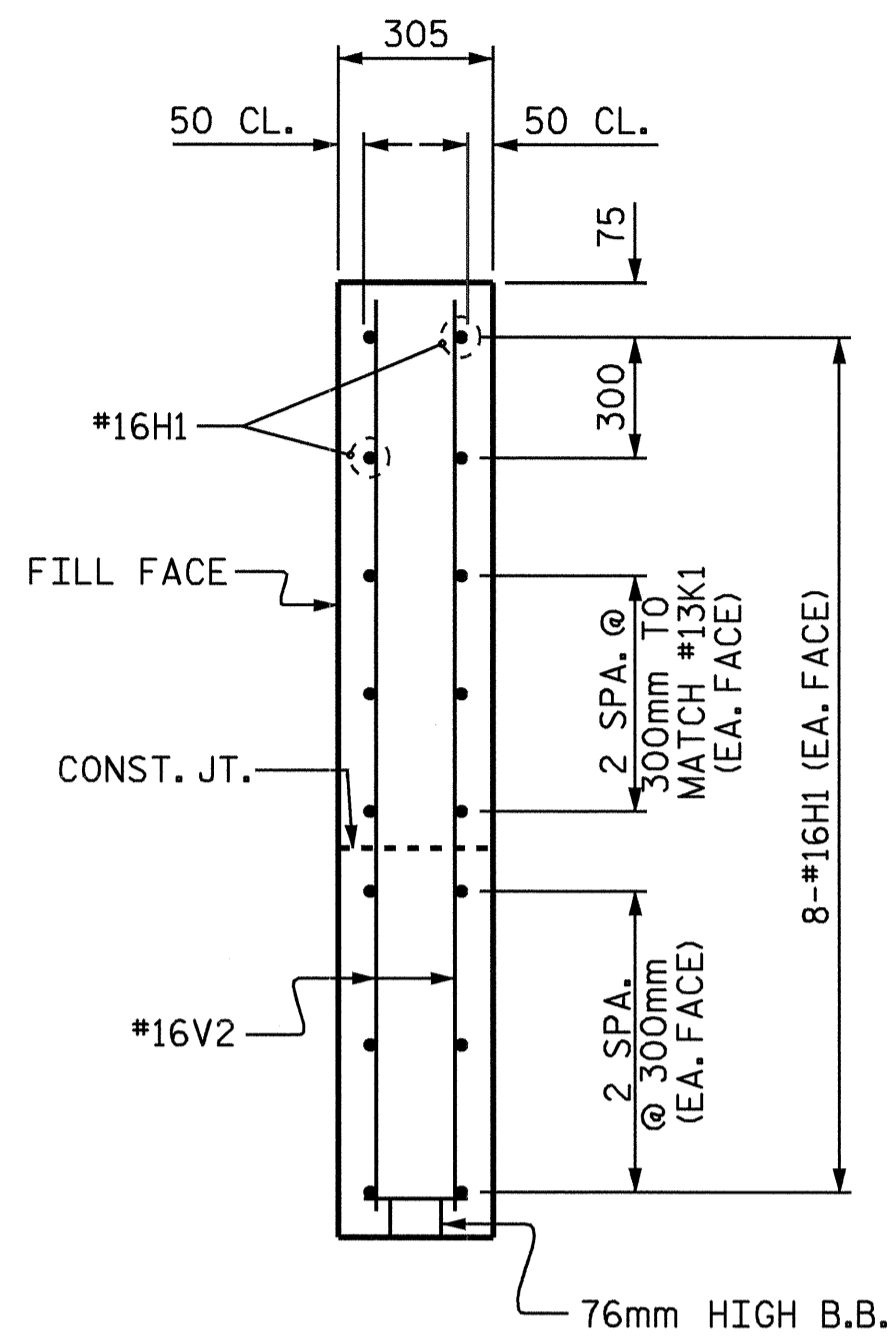
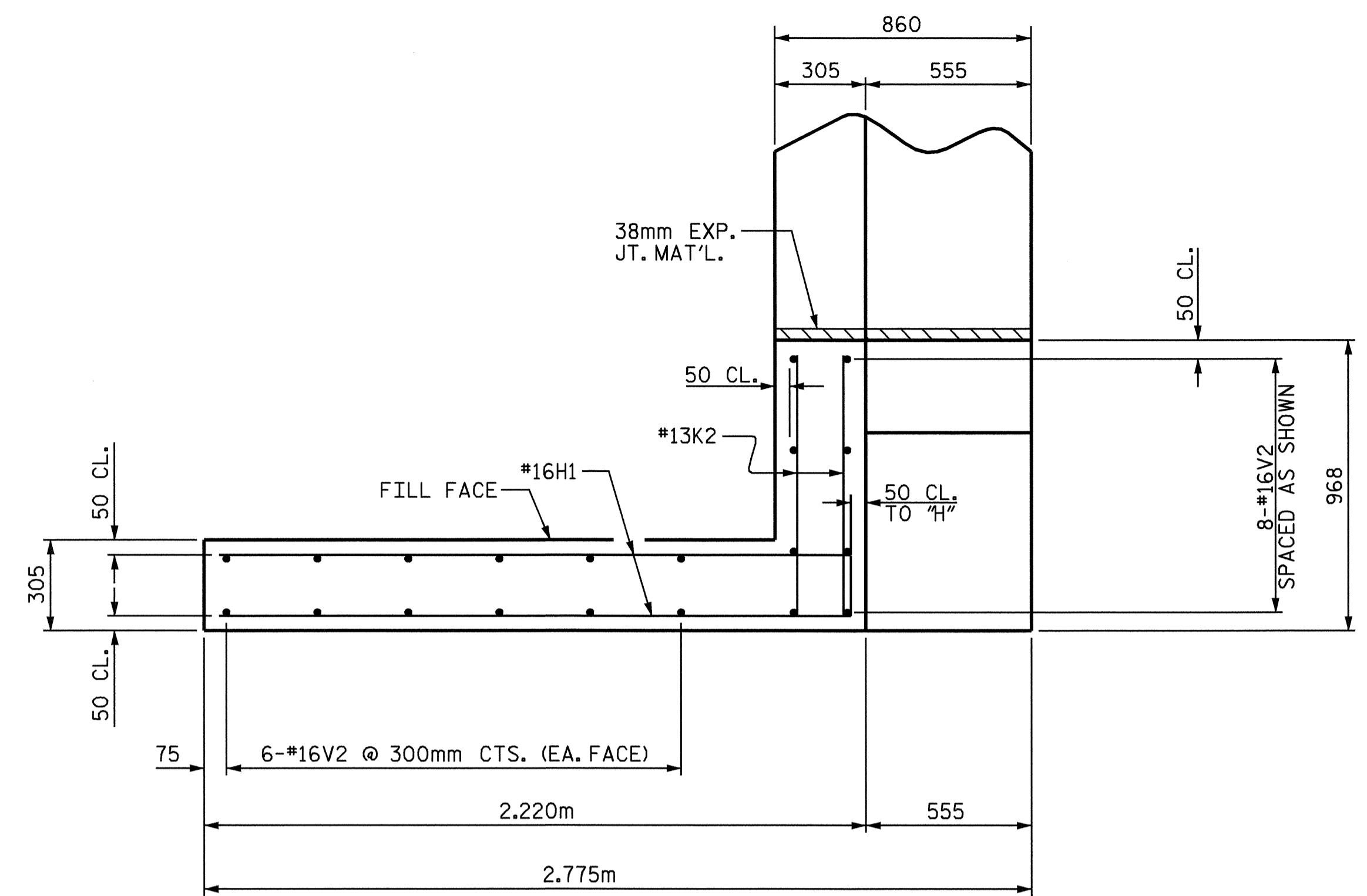


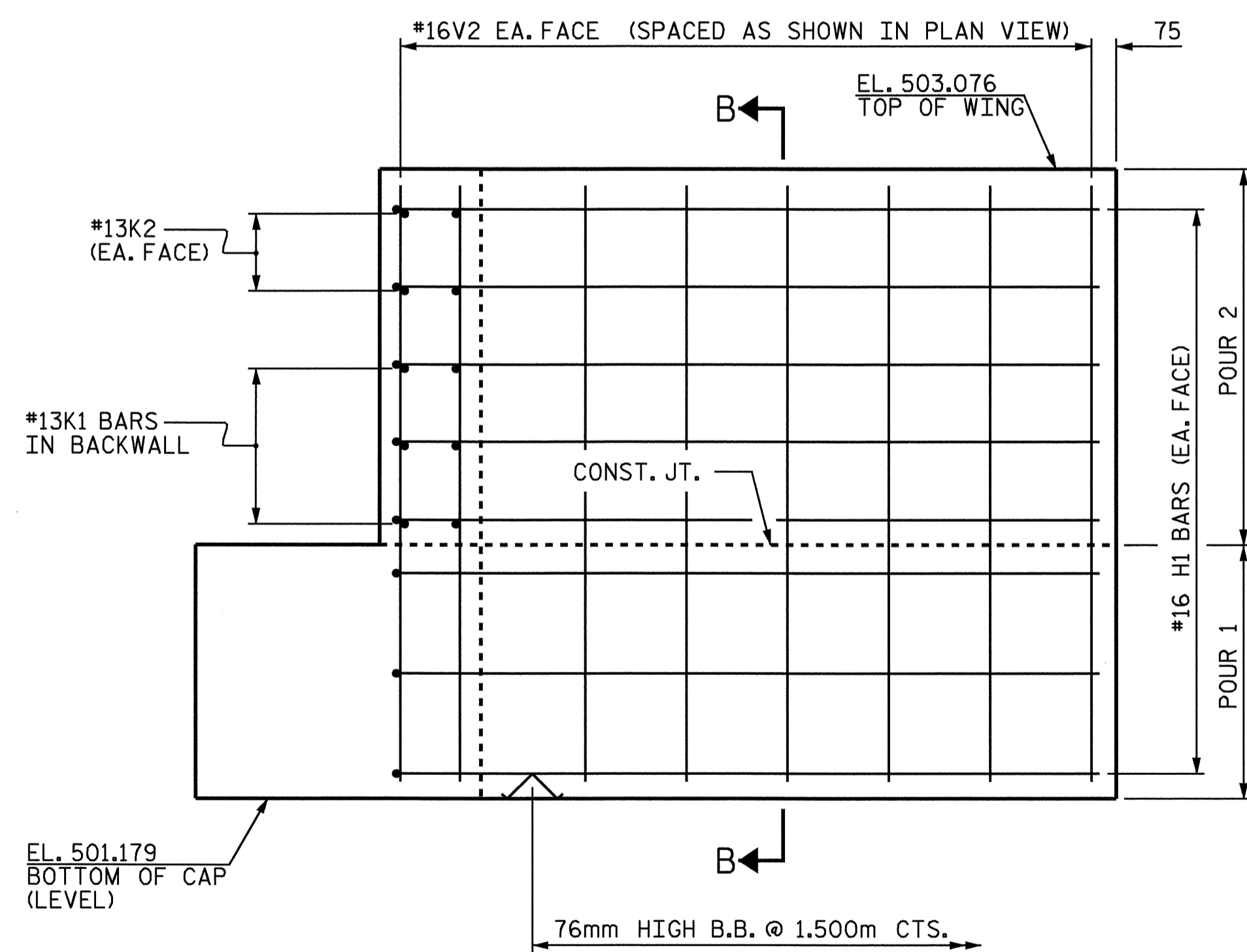
PLAN OF WING W1



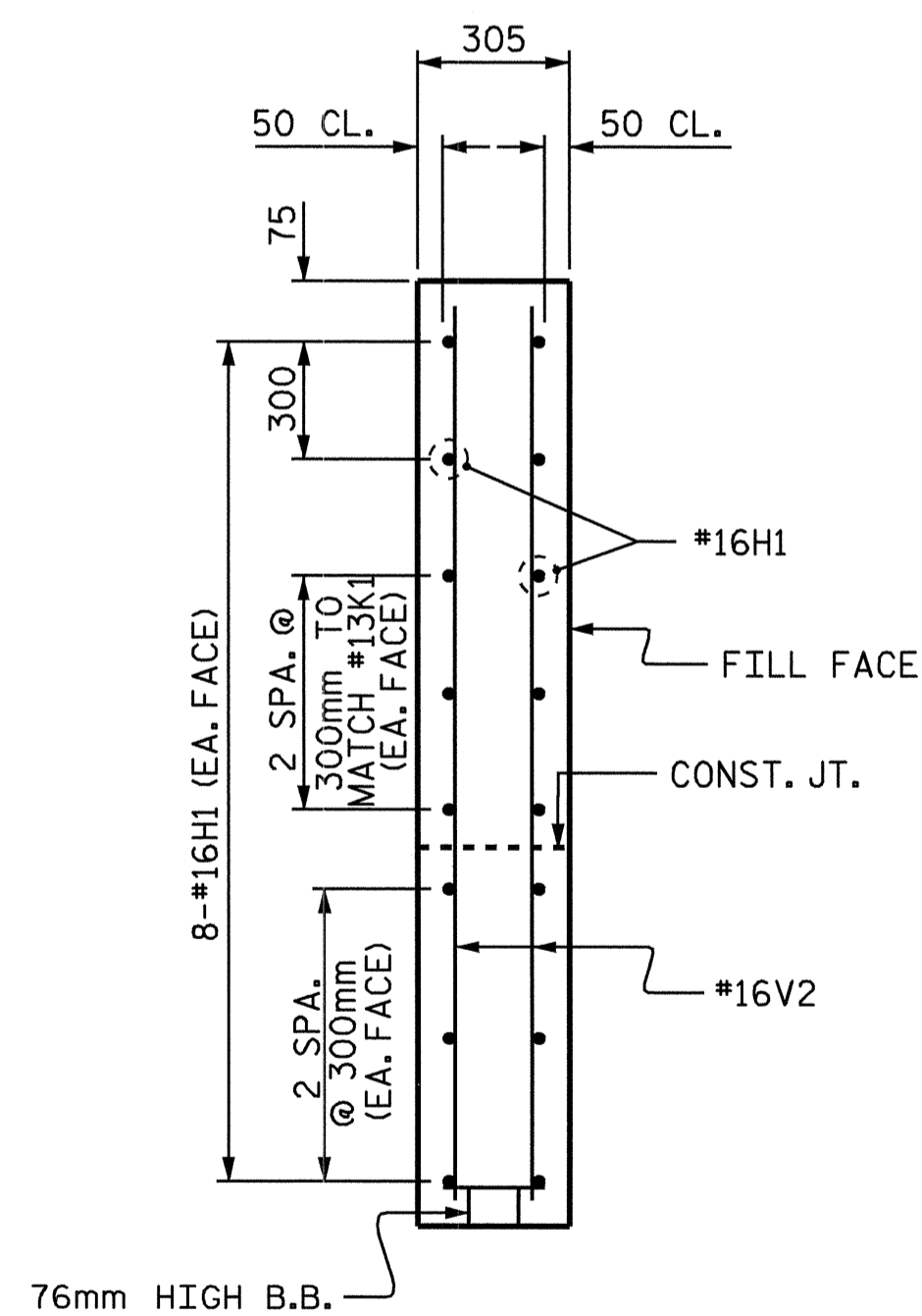
SECTION C-C



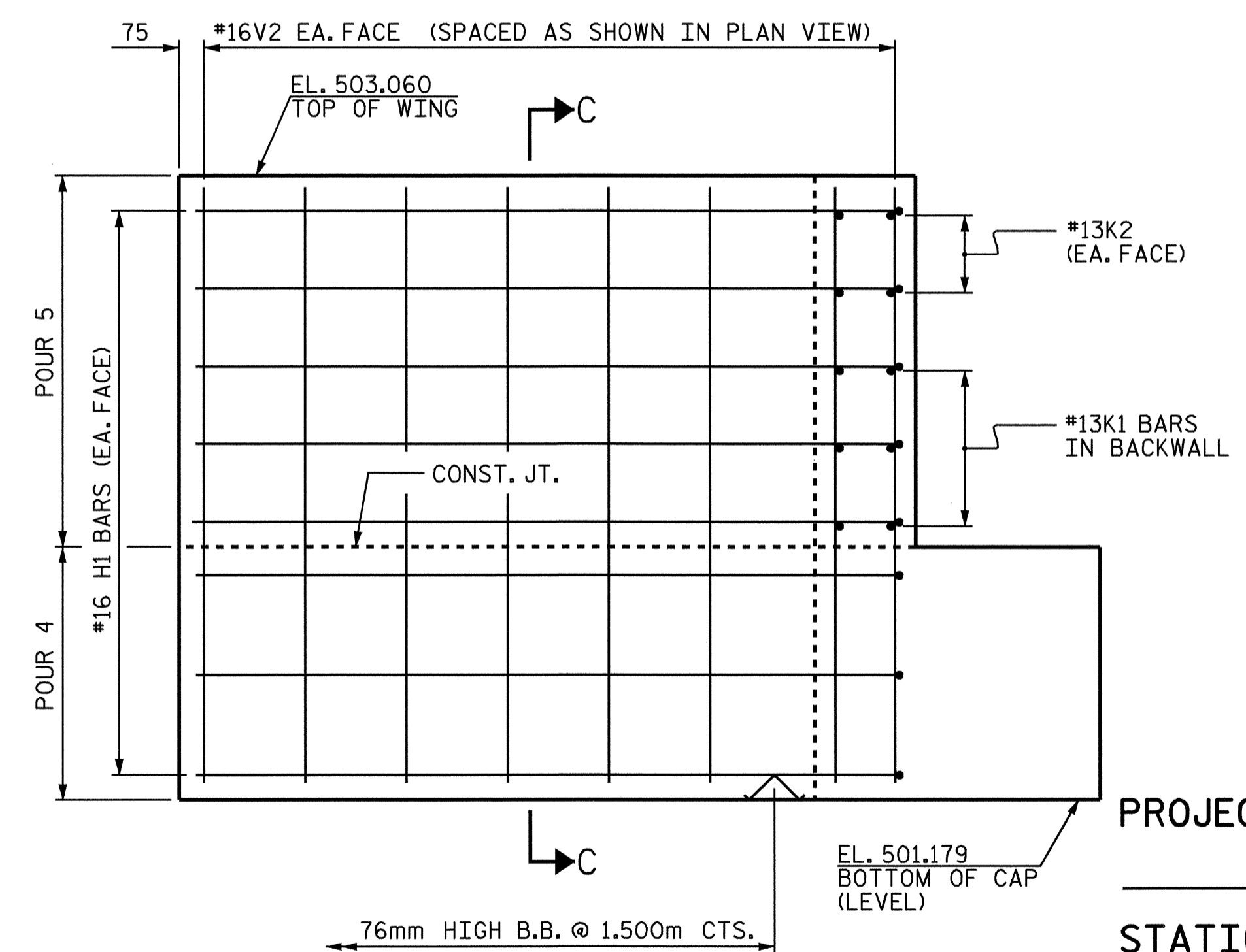
PLAN OF WING W2



ELEVATION OF WING W1



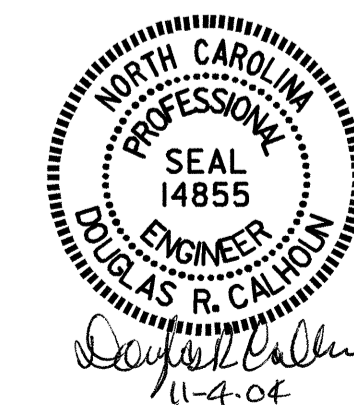
SECTION B-B



ELEVATION OF WING W2

PROJECT NO. B-2583
 MADISON COUNTY
 STATION: 12+21.750 -L-

SHEET 2 OF 3



STATE OF NORTH CAROLINA
 DEPARTMENT OF TRANSPORTATION
 RALEIGH
 SUBSTRUCTURE
 END BENT 1

DRAWN BY: A.L. MEADOWS DATE: 6/18/04
 CHECKED BY: K.P. SEDA DATE: 6/29/04

04-NOV-2004 16:02
 W:\squad\2583\ameadows\MICROS\INSTR\INB-2583-L.DGN
 ameadows

REVISIONS						SHEET NO.	
NO.	BY:	DATE:	NO.	BY:	DATE:	S-41	
1			3			TOTAL SHEETS 112	
2			4				