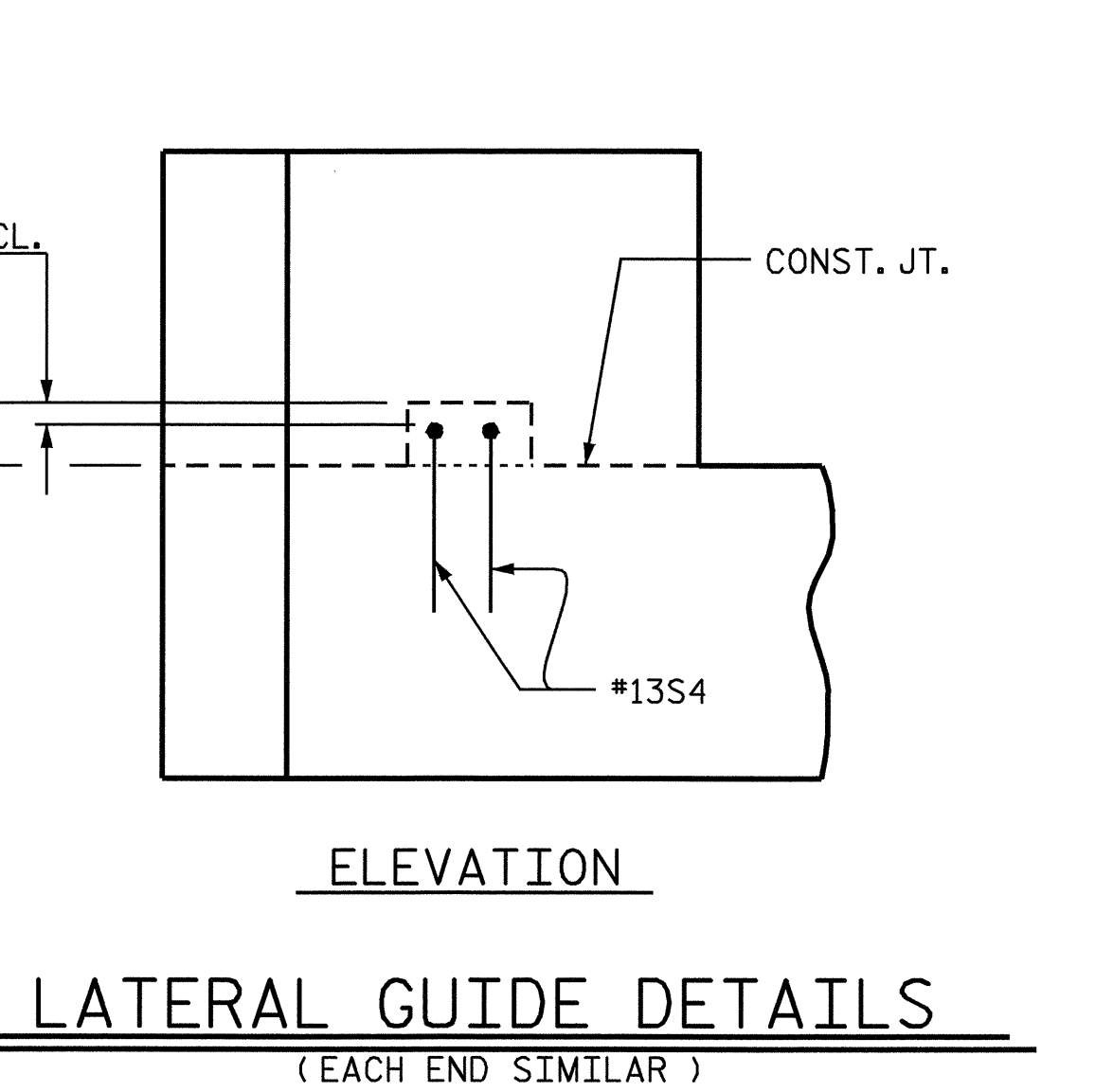
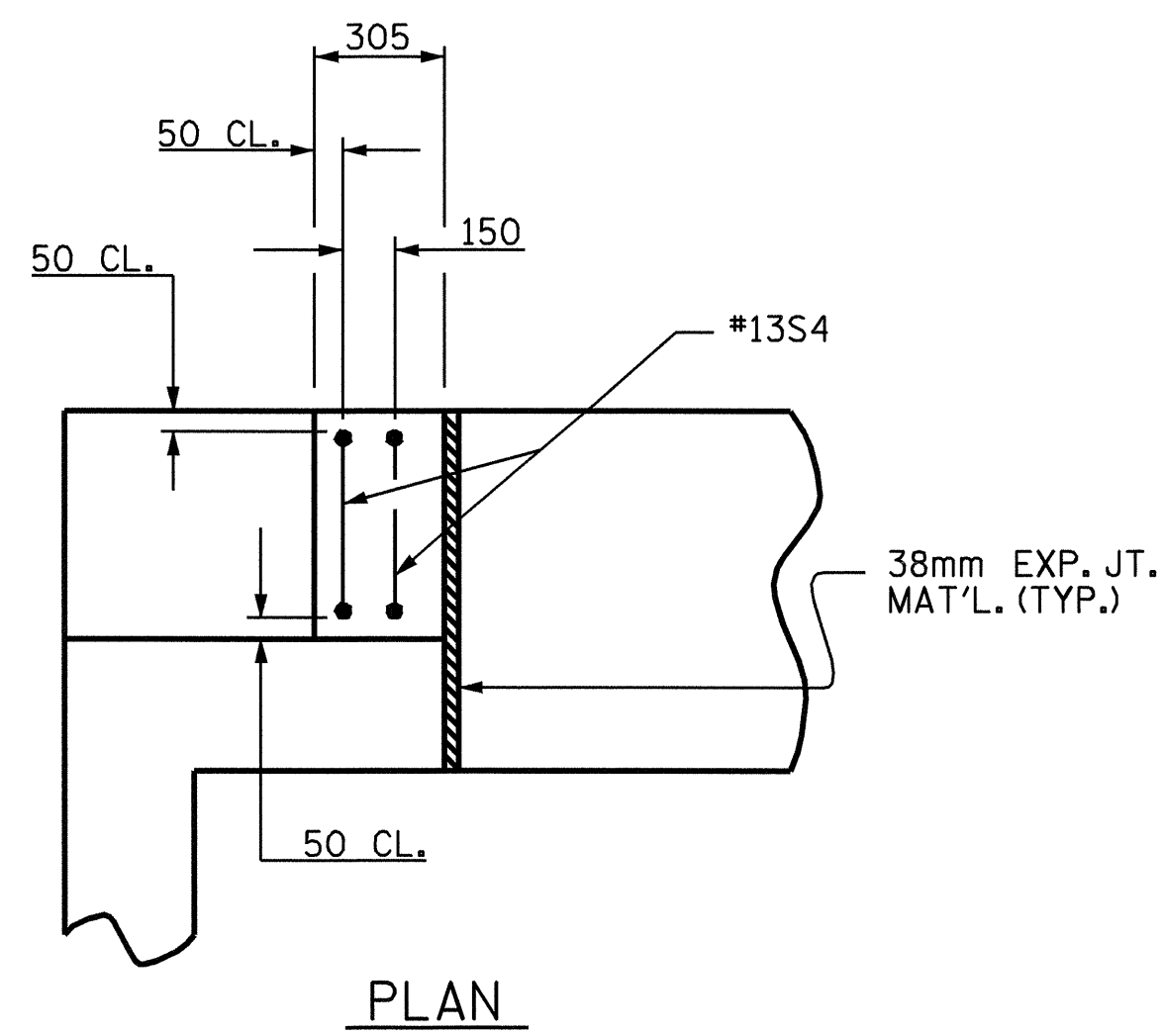


BAGGED STONE AND PIPE SHALL BE PLACED IMMEDIATELY AFTER COMPLETION OF END BENT EXCAVATION. PIPE MAY BE EITHER CONCRETE, CORRUGATED STEEL, CORRUGATED ALUMINUM ALLOY, OR CORRUGATED PLASTIC. PERFORATED PIPE WILL NOT BE ALLOWED.

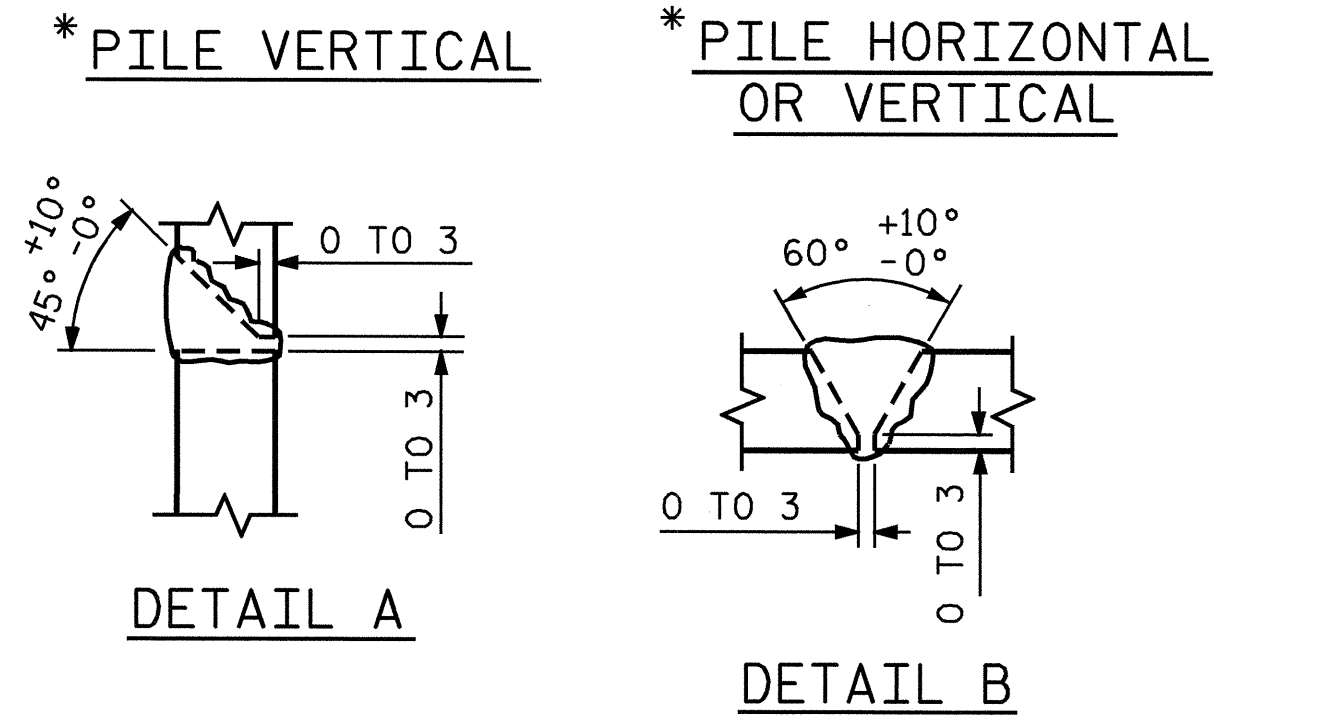
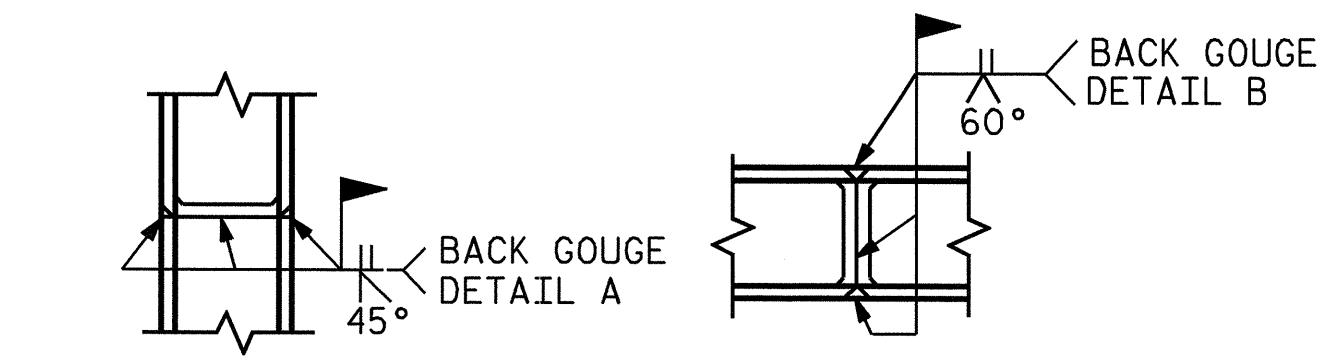
BAGGED STONE SHALL REMAIN IN PLACE UNTIL THE ENGINEER DIRECTS THAT IT BE REMOVED. THE CONTRACTOR SHALL REMOVE AND DISPOSE OF SILT ACCUMULATIONS AT BAGGED STONE WHEN SO DIRECTED BY THE ENGINEER. BAGS SHALL BE REMOVED AND REPLACED WHENEVER THE ENGINEER DETERMINES THAT THEY HAVE DETERIORATED AND LOST THEIR EFFECTIVENESS.

NO SEPARATE PAYMENT WILL BE MADE FOR THIS WORK AND THE ENTIRE COST OF THIS WORK SHALL BE INCLUDED IN THE UNIT CONTRACT PRICE FOR THE SEVERAL PAY ITEMS.

TEMPORARY DRAINAGE AT END BENT



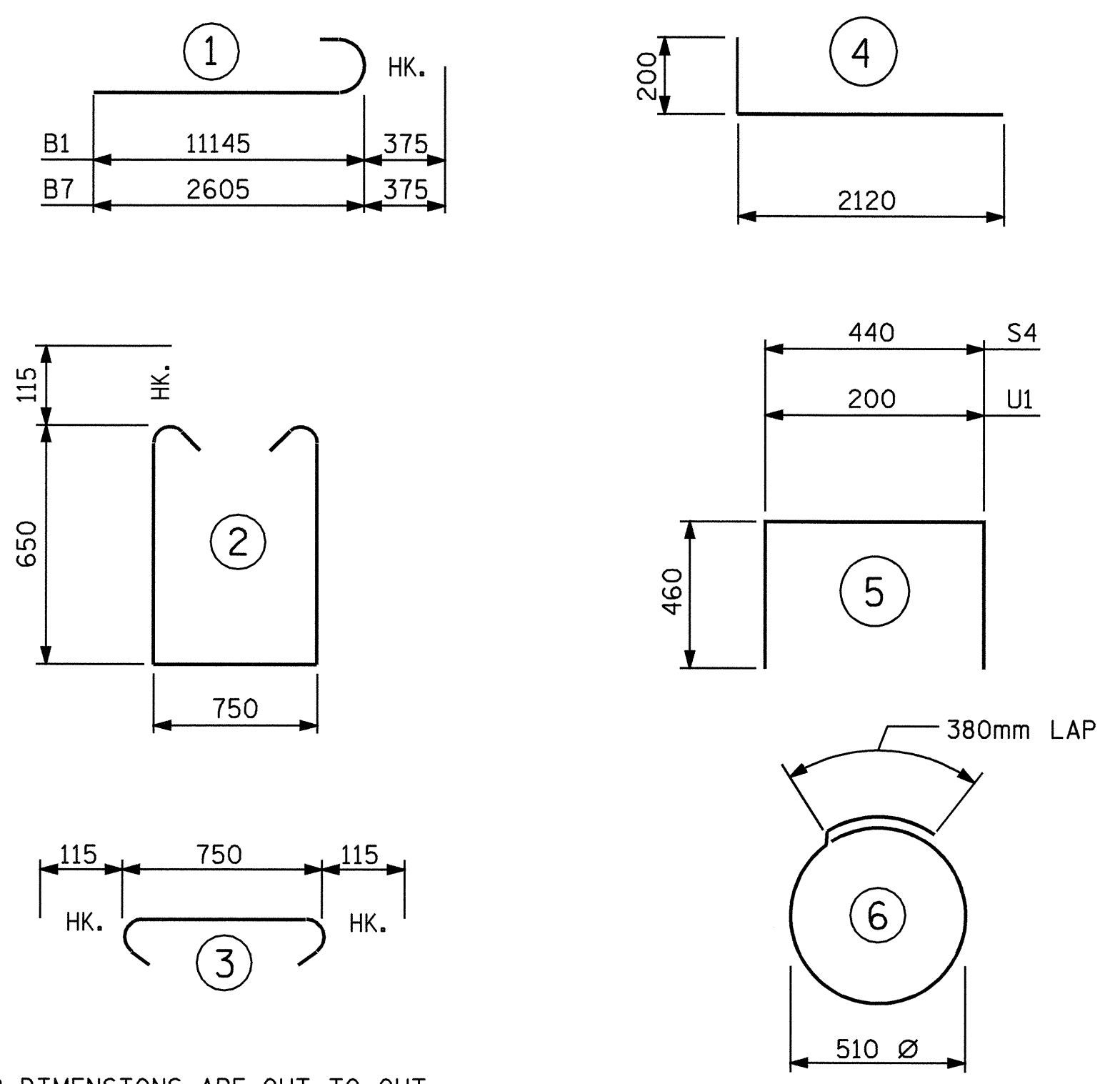
LATERAL GUIDE DETAILS
(EACH END SIMILAR)



* POSITION OF PILE DURING WELDING.

PILE SPLICE DETAILS

BAR TYPES

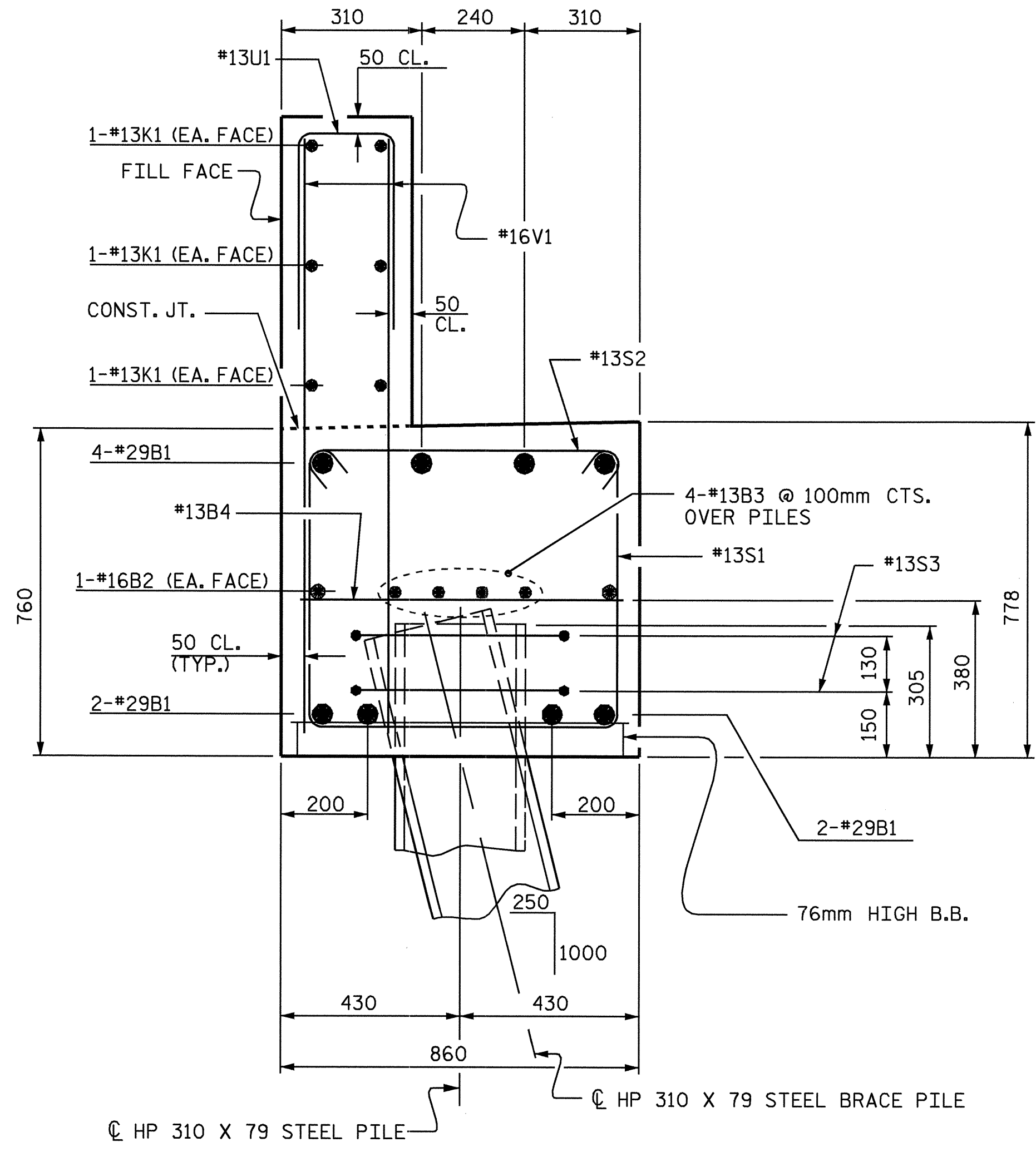


ALL BAR DIMENSIONS ARE OUT TO OUT.

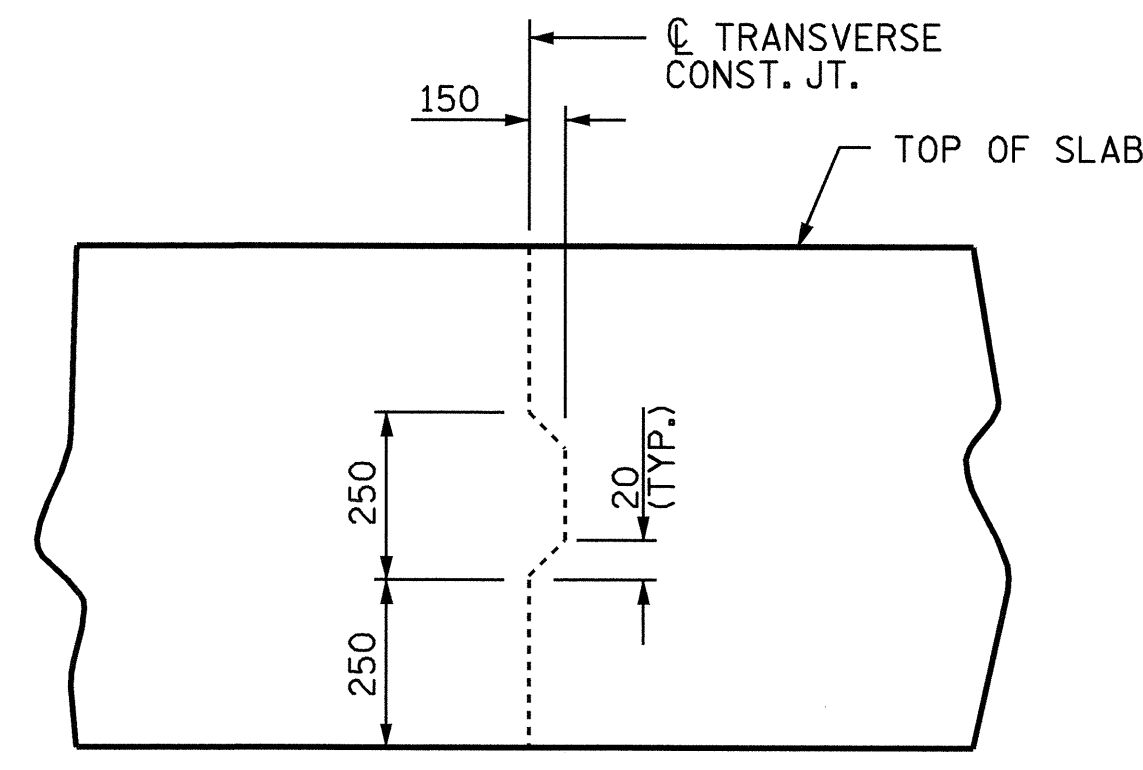
BILL OF MATERIAL

END BENT 1

BAR	NO.	SIZE	TYPE	LENGTH	WEIGHT
B1	8	#29	1	11520	466
B2	2	#16	STR	11540	36
B3	8	#13	STR	6060	48
B4	12	#13	STR	760	9
B5	2	#16	STR	3180	10
B6	4	#13	STR	3180	13
B7	8	#29	STR	2980	121
H1	32	#16	4	2320	115
K1	12	#13	STR	6060	72
K2	8	#13	STR	860	7
K3	6	#13	STR	3180	19
S1	50	#13	2	2280	113
S2	50	#13	3	980	49
S3	18	#13	6	1980	35
S4	4	#13	5	1360	5
U1	40	#13	5	1120	45
V1	80	#16	STR	1240	154
V2	40	#16	STR	1780	111
REINFORCING STEEL				kg.	1428
CLASS A CONCRETE BREAKDOWN					
POUR 1		C.M.	7.4		
POUR 2		C.M.	3.0		
POUR 3		C.M.	0.1		
POUR 4		C.M.	2.6		
POUR 5		C.M.	1.5		
POUR 6		C.M.	0.1		
TOTAL		C.M.	14.7		
HP 310 x 79 STEEL PILES NO. 9 58.5 METERS					
STEEL PILE POINTS NO.9					



SECTION A-A



TRANSVERSE CONSTRUCTION JOINT DETAIL

NOTE: REINFORCING STEEL IN SLAB NOT SHOWN. LONGITUDINAL REINFORCING STEEL SHALL BE CONTINUOUS THRU JOINT.

PROJECT NO. B-2583
MADISON COUNTY
STATION: 12+21.750 -L-

SHEET 3 OF 3

STATE OF NORTH CAROLINA
DEPARTMENT OF TRANSPORTATION
RALEIGH

**SUBSTRUCTURE
END BENT 1**



REVISIONS						SHEET NO.
NO.	BY:	DATE:	NO.	BY:	DATE:	S-42
1			3			TOTAL SHEETS
2			4			112