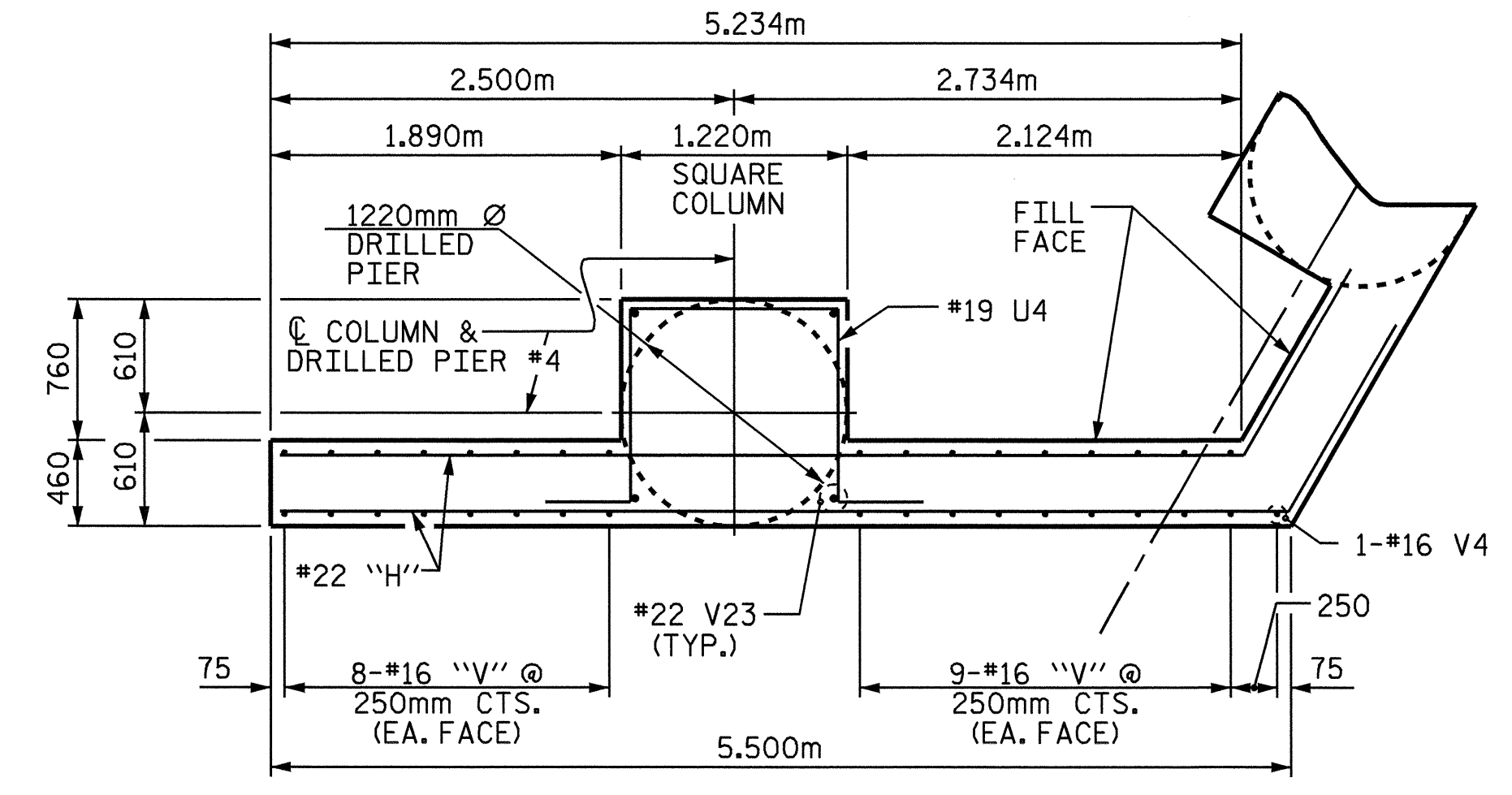
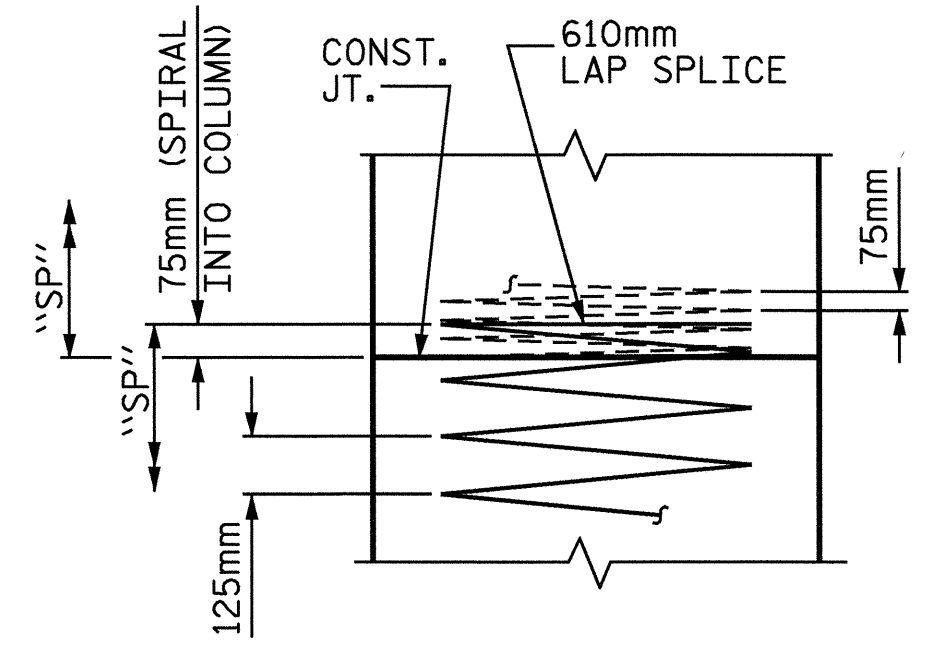


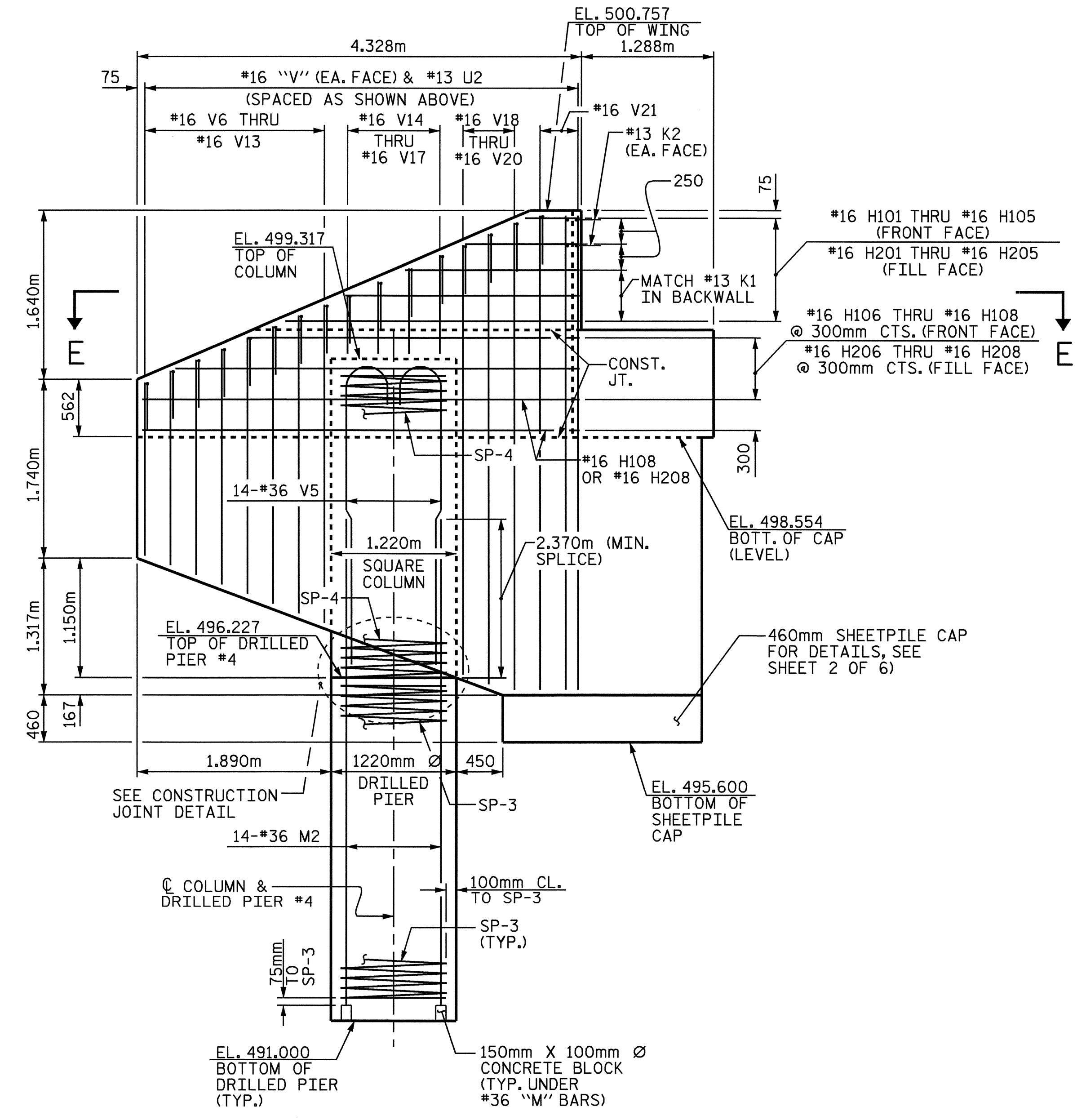
SECTION E-E



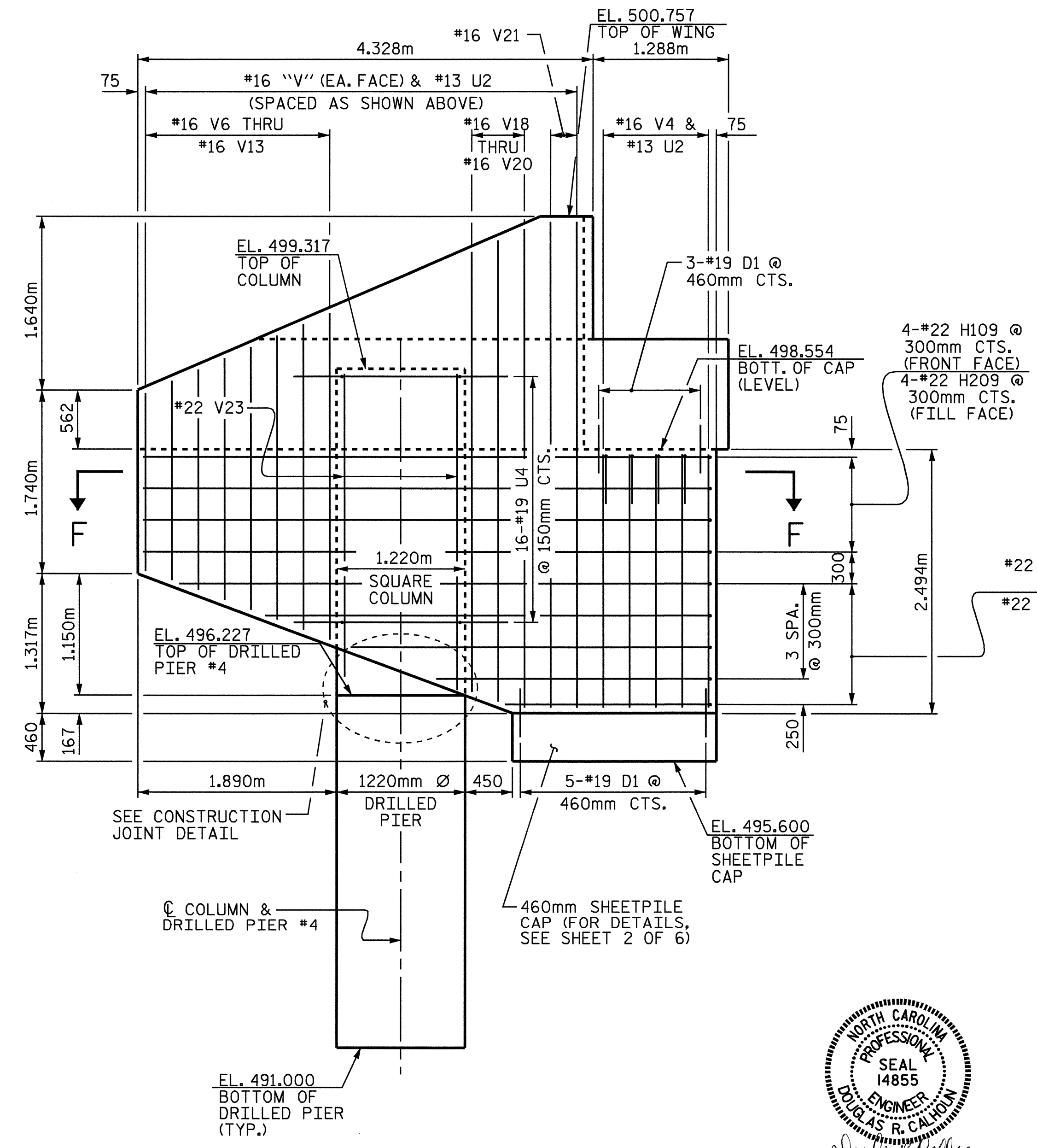
SECTION F-F



CONSTRUCTION JOINT DETAIL



ELEVATION - RETAINING WALL WING 1



ELEVATION - RETAINING WALL WING 1

PROJECT NO. B-2583
 MADISON COUNTY
 STATION: 12+21.750 -L-

SHEET 3 OF 6

STATE OF NORTH CAROLINA
 DEPARTMENT OF TRANSPORTATION
 RALEIGH

**SUBSTRUCTURE
 END BENT 2**



| REVISIONS | | | | | | SHEET NO. S-48 |
|-----------|-----|-------|-----|-----|-------|---------------------|
| NO. | BY: | DATE: | NO. | BY: | DATE: | |
| 1 | | | 3 | | | TOTAL SHEETS 112 |
| 2 | | | 4 | | | |

DRAWN BY: K. McCAULEY DATE: 7/8/04
 CHECKED BY: K.P. SEDAI DATE: 7/18/04