

SHOULDER LINE

7.940m

5.960m

SHOULDER LINE

300mm MIN. EARTH BERM EL. 501.031

PLAN @ END BENT 1

CLASS II RIP RAP

CLASS II RIP RAP

-L-

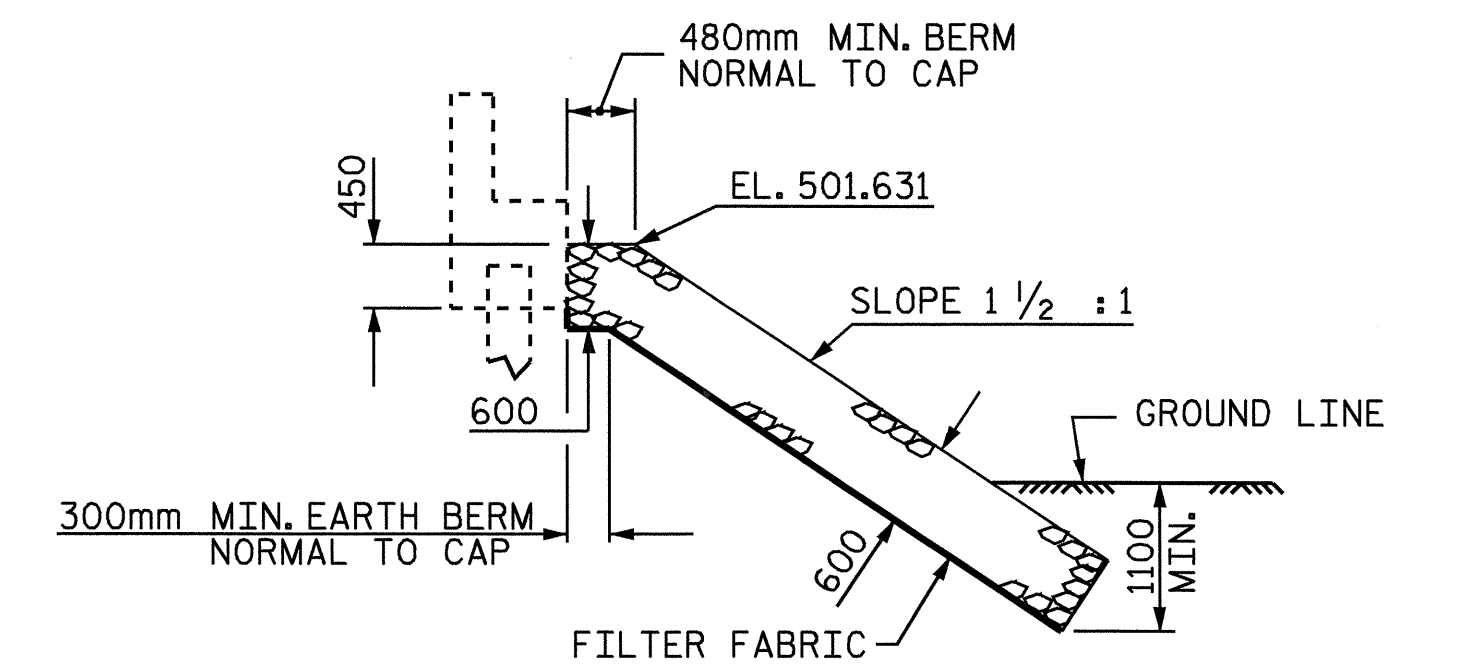
PLAN @ END BENT 2

**NOTES :**

FOR BERM WIDTH DIMENSIONS, SEE GENERAL DRAWING.

**ESTIMATED QUANTITIES**

BRIDGE @ STA. 12+21.750 -L-	PLAIN RIP RAP CLASS II	FILTER FABRIC FOR DRAINAGE
	METRIC TON	SQUARE METERS
END BENT 1	79	81
END BENT 2	17	17

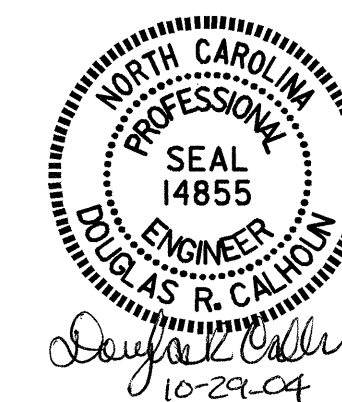


SECTION @ END BENT 1

PROJECT NO. B-2583  
MADISON COUNTY  
 STATION: 12+21.750 -L-

STATE OF NORTH CAROLINA  
 DEPARTMENT OF TRANSPORTATION  
 RALEIGH

STANDARD  
 —RIP RAP DETAILS—



ASSEMBLED BY : E. G. ALLEN	DATE : 6/11/04
CHECKED BY : A. L. MEADOWS	DATE : 6/11/04
DRAWN BY : FCJ 2/88	REV. 7/17/98 REK/RWW
CHECKED BY : ARB 8/88	REV. 8/16/99 RWW/LES
	REV. 10/17/00 RWW/LES

REVISIONS						SHEET NO.
NO.	BY:	DATE:	NO.	BY:	DATE:	TOTAL SHEETS
1			3			54
2			4			112