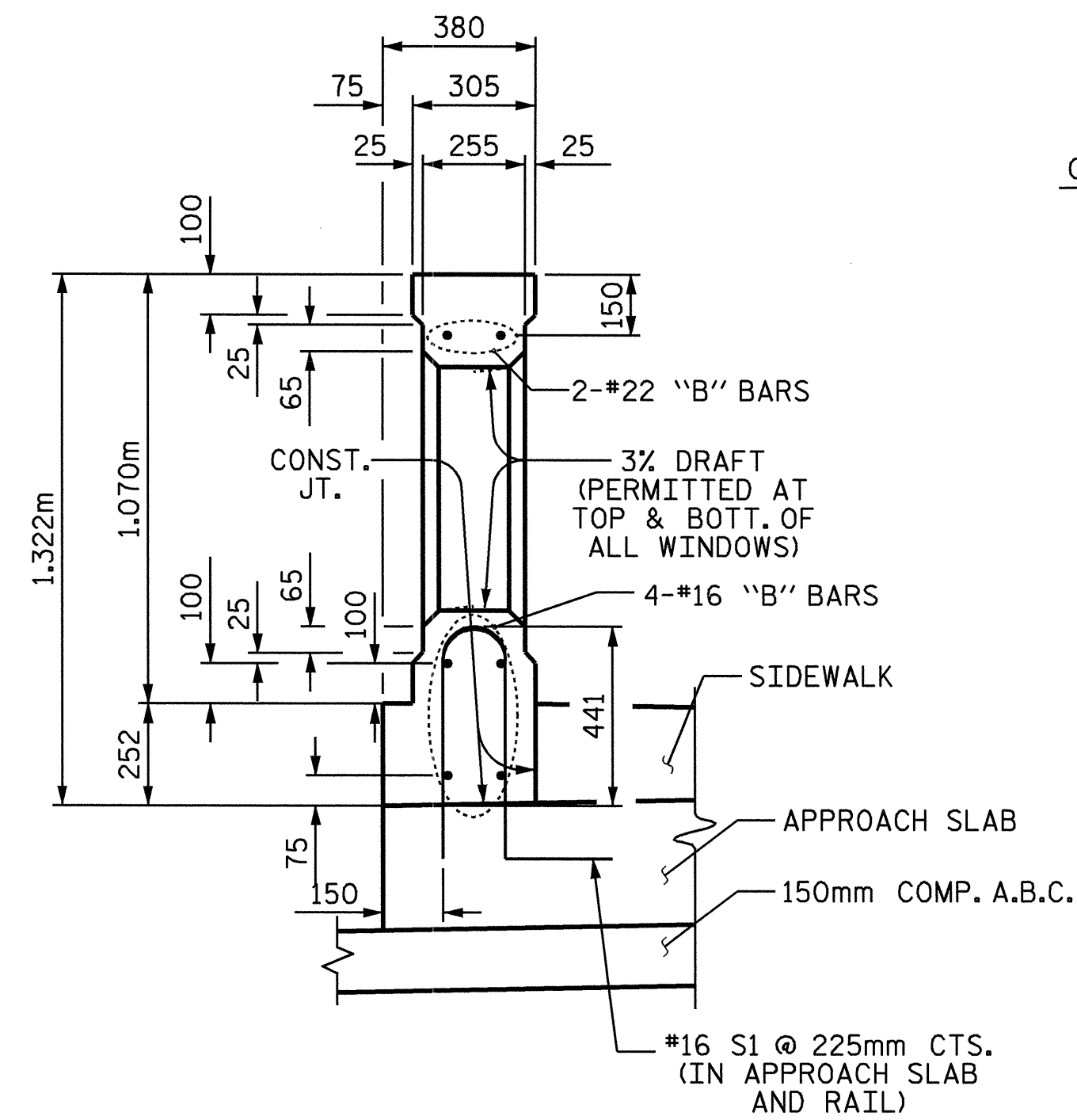


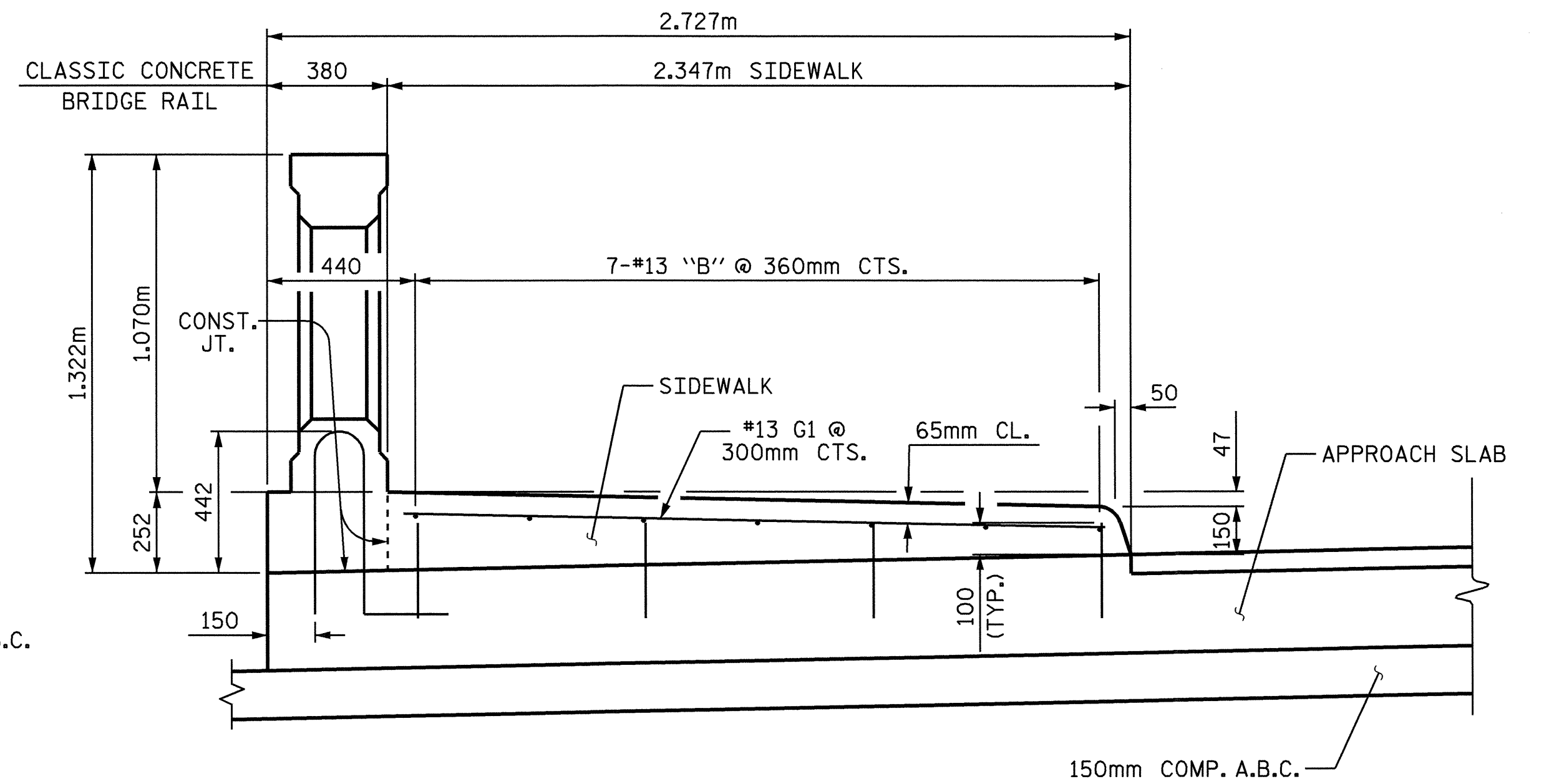
SECTION THRU POST OF RAIL

(ON APPROACH SLAB LEFT SIDE)



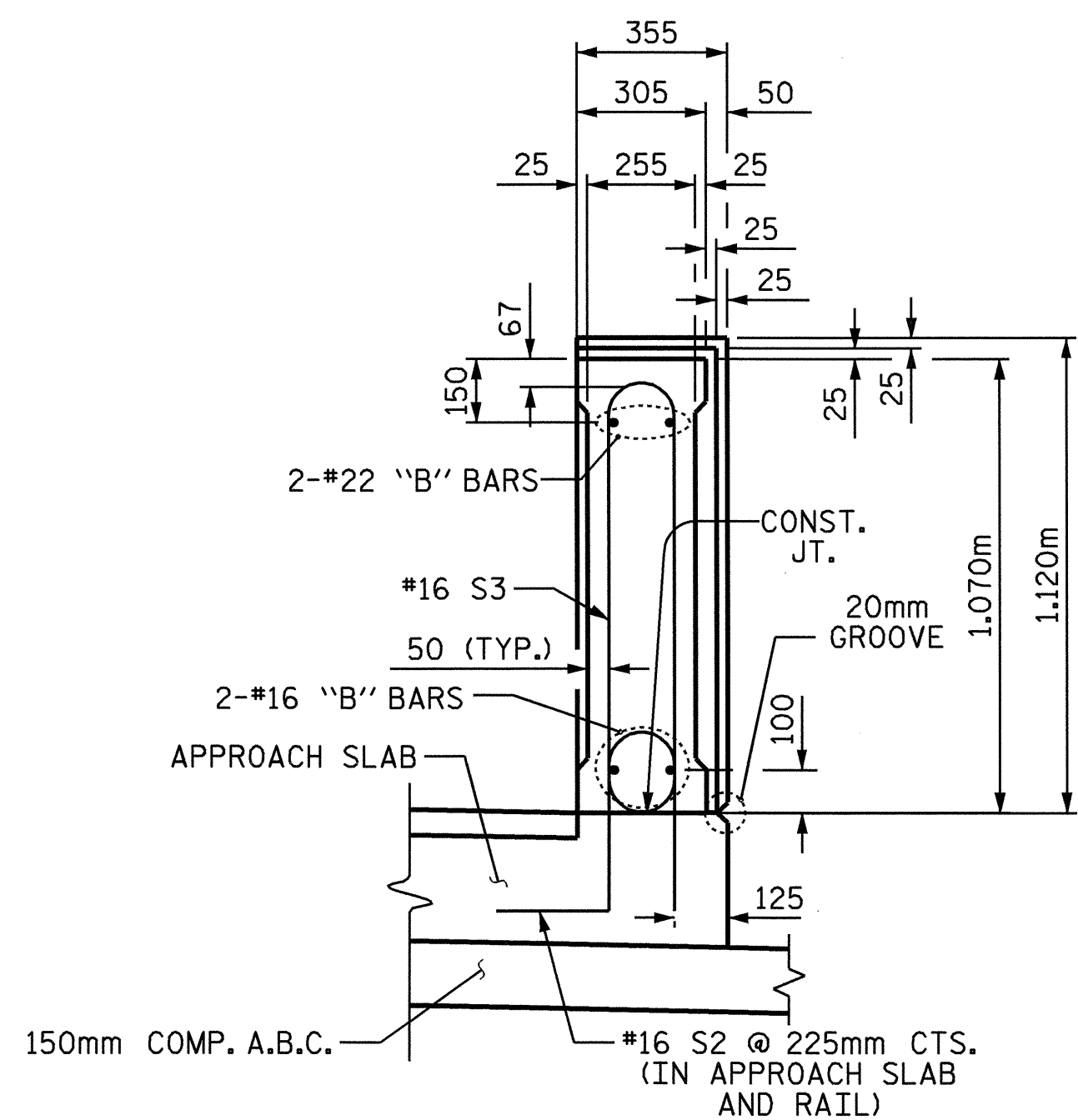
SECTION THRU WINDOW OF RAIL

(ON APPROACH SLAB LEFT SIDE)



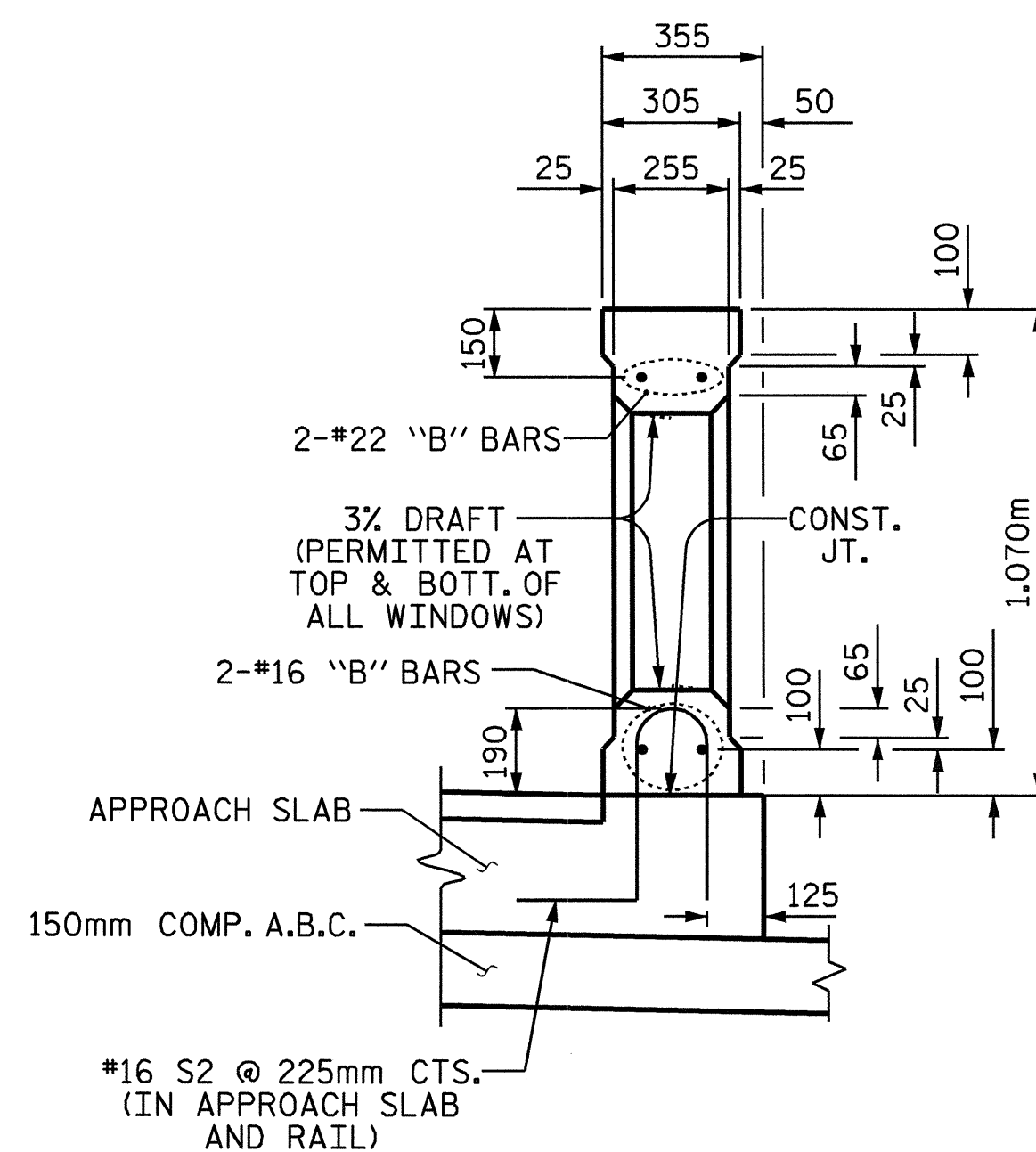
SECTION THRU SIDEWALK

(ON APPROACH SLAB)



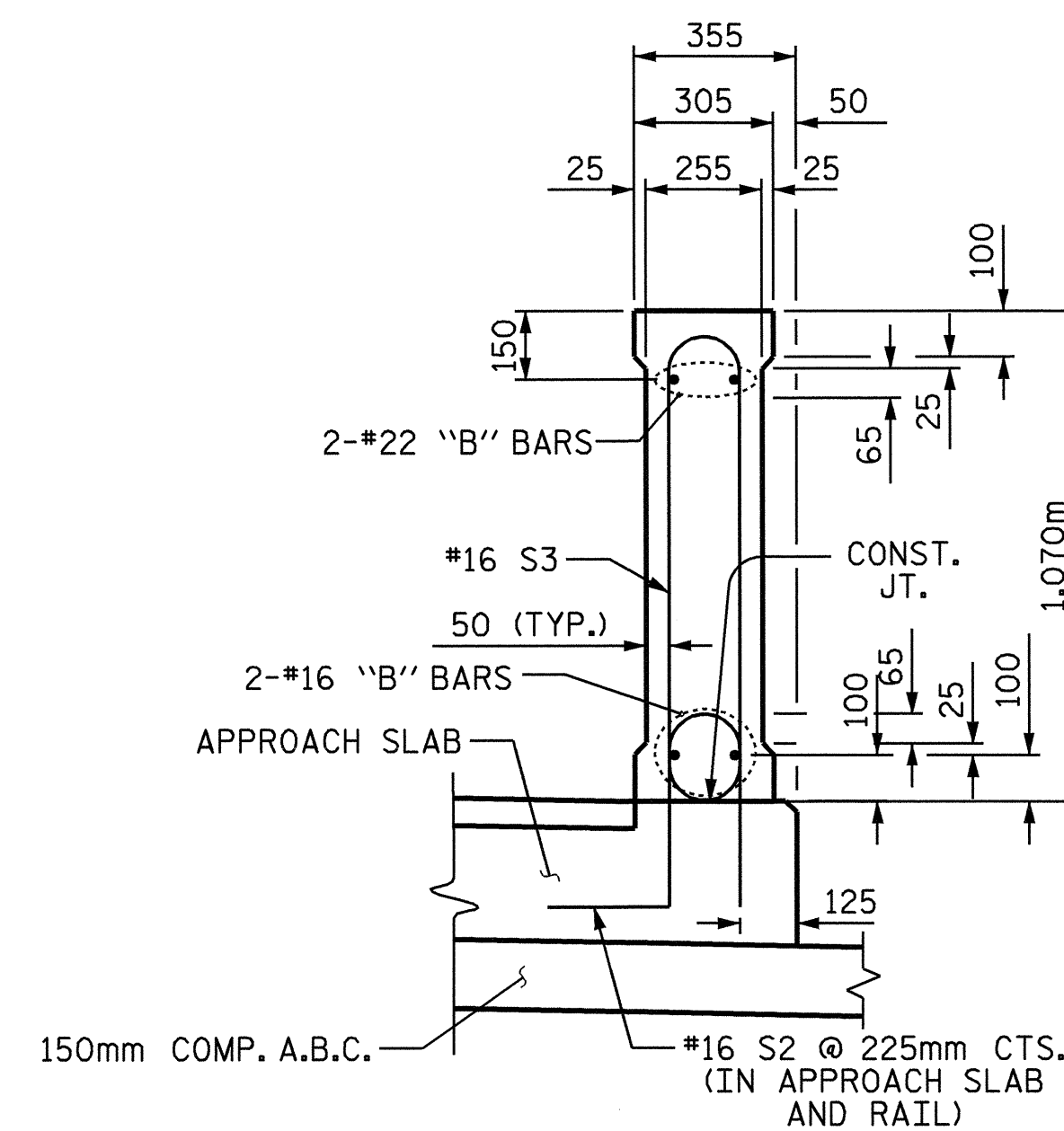
SECTION THRU POST OF RAIL

(ON APPROACH SLAB RIGHT SIDE)



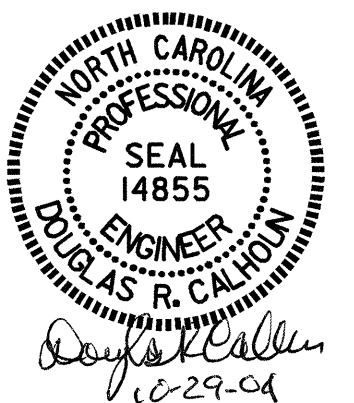
SECTION THRU WINDOW OF RAIL

(ON APPROACH SLAB 2 ONLY - RIGHT SIDE)



SECTION THRU RAIL

(ON APPROACH SLAB 1 ONLY - RIGHT SIDE)



PROJECT NO. B-2583  
MADISON COUNTY  
 STATION: 12+21.750 -L-  
 SHEET 11 of 14

STATE OF NORTH CAROLINA  
 DEPARTMENT OF TRANSPORTATION  
 RALEIGH  
 CLASSIC CONCRETE  
 BRIDGE RAIL SECTIONS  
 ON APPROACH SLAB

REVISIONS						SHEET NO.	
NO.	BY:	DATE:	NO.	BY:	DATE:	S-65	
1			3			TOTAL SHEETS 112	
2			4				

DRAWN BY: T. A. HARRIS DATE: 8/24/04  
 CHECKED BY: K. P. SEDAI DATE: 8/30/04

29-OCT-2004 09:46  
 W:\squad\b2583\taharris\Microstation\str\b2583.sd.as.01.dgn  
 TAHarris