

PLAN

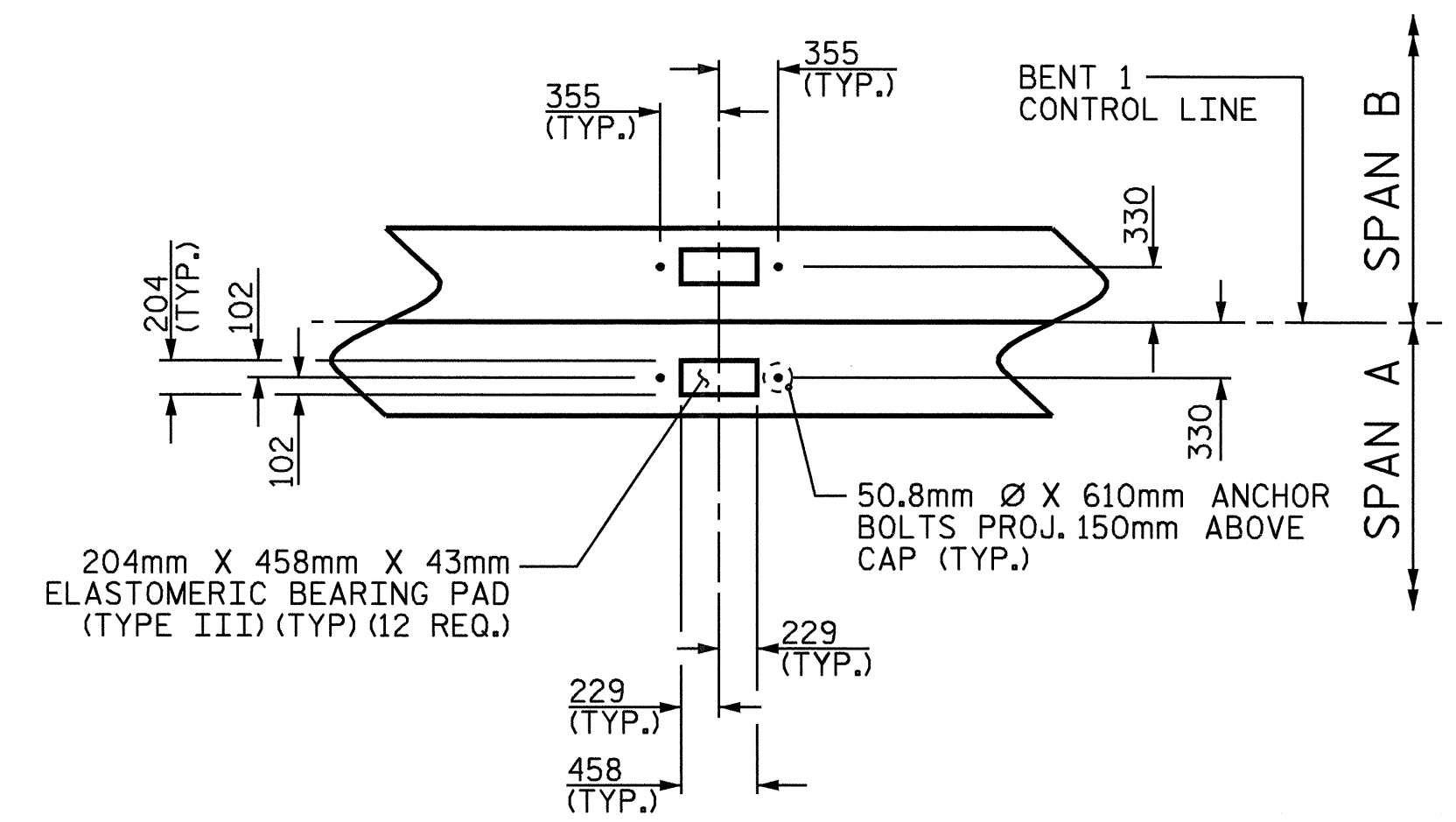
NOTES:

STIRRUPS IN CAP MAY BE SHIFTED AS NECESSARY TO CLEAR ANCHOR BOLTS.

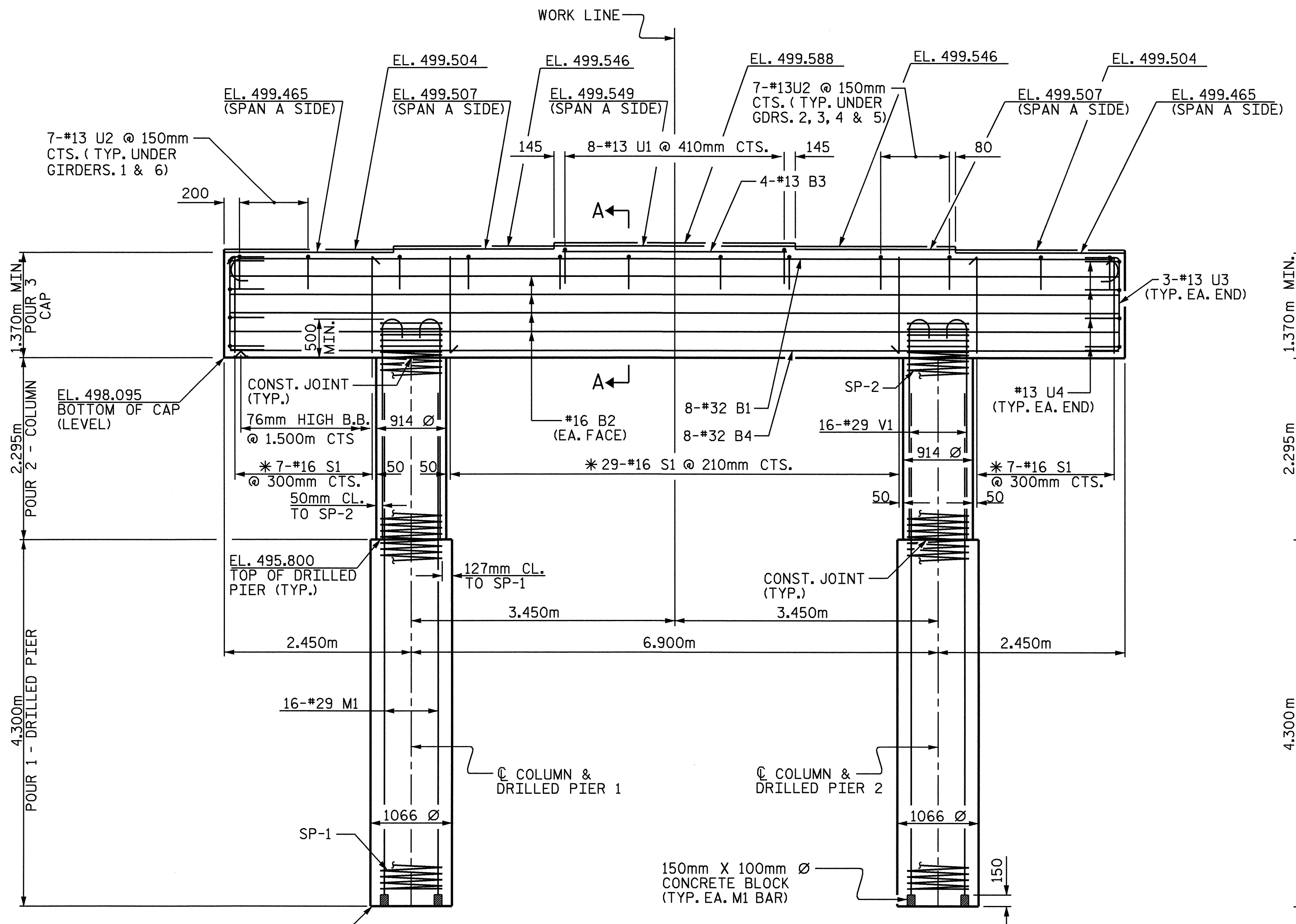
HOOKS ON "V" BARS MAY BE TURNED AS NECESSARY FOR PLACING REINFORCING STEEL.

ALL STEEL IN THE DRILLED PIERS IS INCLUDED IN THE PAY ITEMS FOR "REINFORCING STEEL" AND "SPIRAL COLUMN REINFORCING STEEL".

THE CONTRACTOR'S ATTENTION IS CALLED TO THE FACT THAT THE LONGITUDINAL REINFORCEMENT FOR THE DRILLED PIERS IS DETAILED WITH ONE METER OF EXTRA LENGTH.



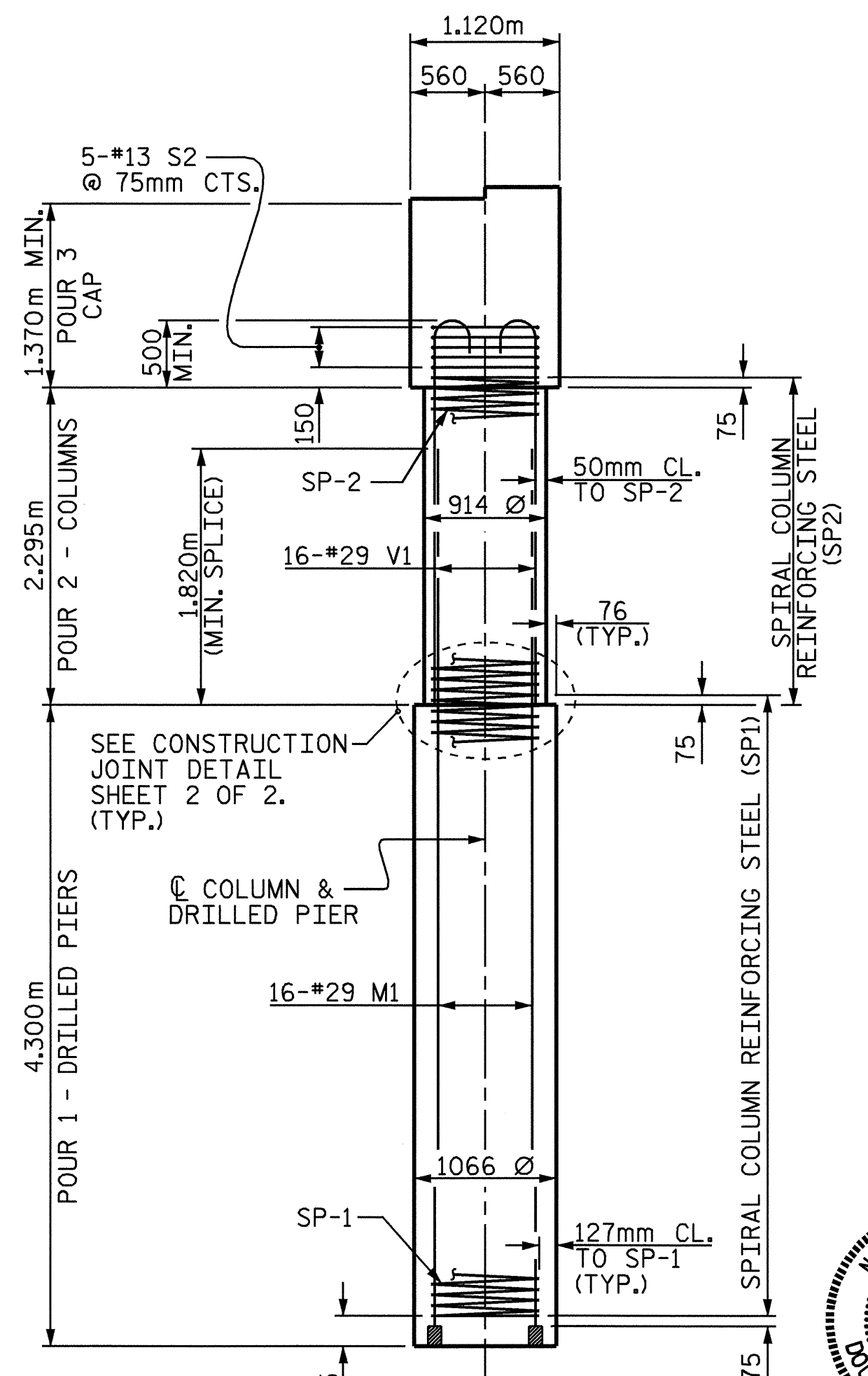
DETAIL A



ELEVATION

REINFORCING STEEL AND DIMENSIONS TYPICAL FOR ALL DRILLED PIERS AND COLUMNS.

NOTE:
* INVERT ALTERNATE STIRRUPS.



END ELEVATION

PROJECT NO. B-2583
MADISON COUNTY
STATION: 11+03.00 -Y1-

SHEET 1 OF 2

| | | | | | |
|--|-----|-------|-----|-----|---------------------|
| STATE OF NORTH CAROLINA DEPARTMENT OF TRANSPORTATION RALEIGH | | | | | |
| SUBSTRUCTURE BENT 1 | | | | | |
| REVISIONS | | | | | |
| NO. | BY: | DATE: | NO. | BY: | DATE: |
| 1 | | | 3 | | |
| 2 | | | 4 | | |
| | | | | | SHEET NO. 97 |
| | | | | | TOTAL SHEETS 112 |



DRAWN BY: A.L. MEADOWS DATE: 3/12/04
CHECKED BY: W.S. ARAFAT DATE: 5/27/04

29-OCT-2004 10:50
W:\squad\b2583\ameadows\MICROS-1\STR-1.2\B-2583-1.DGN
ameadows