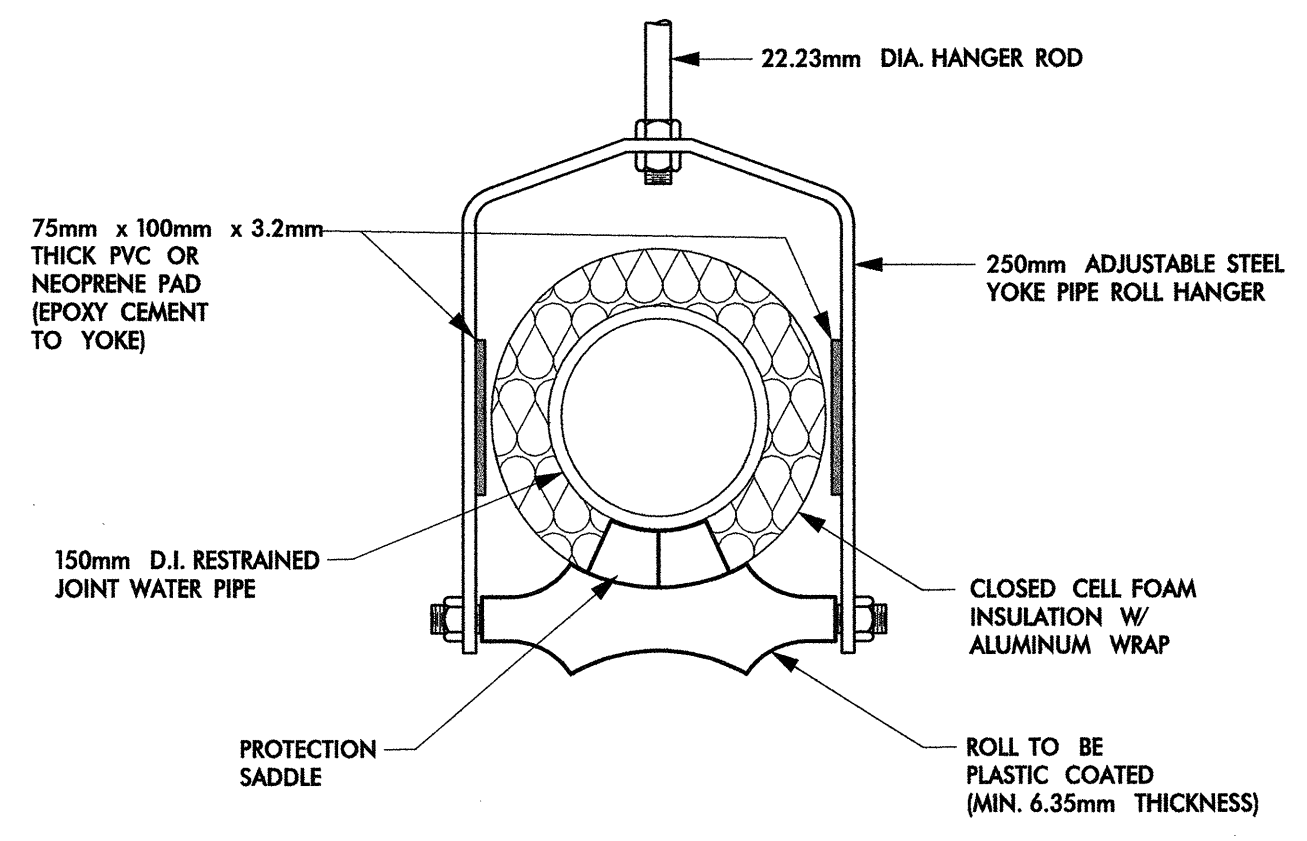
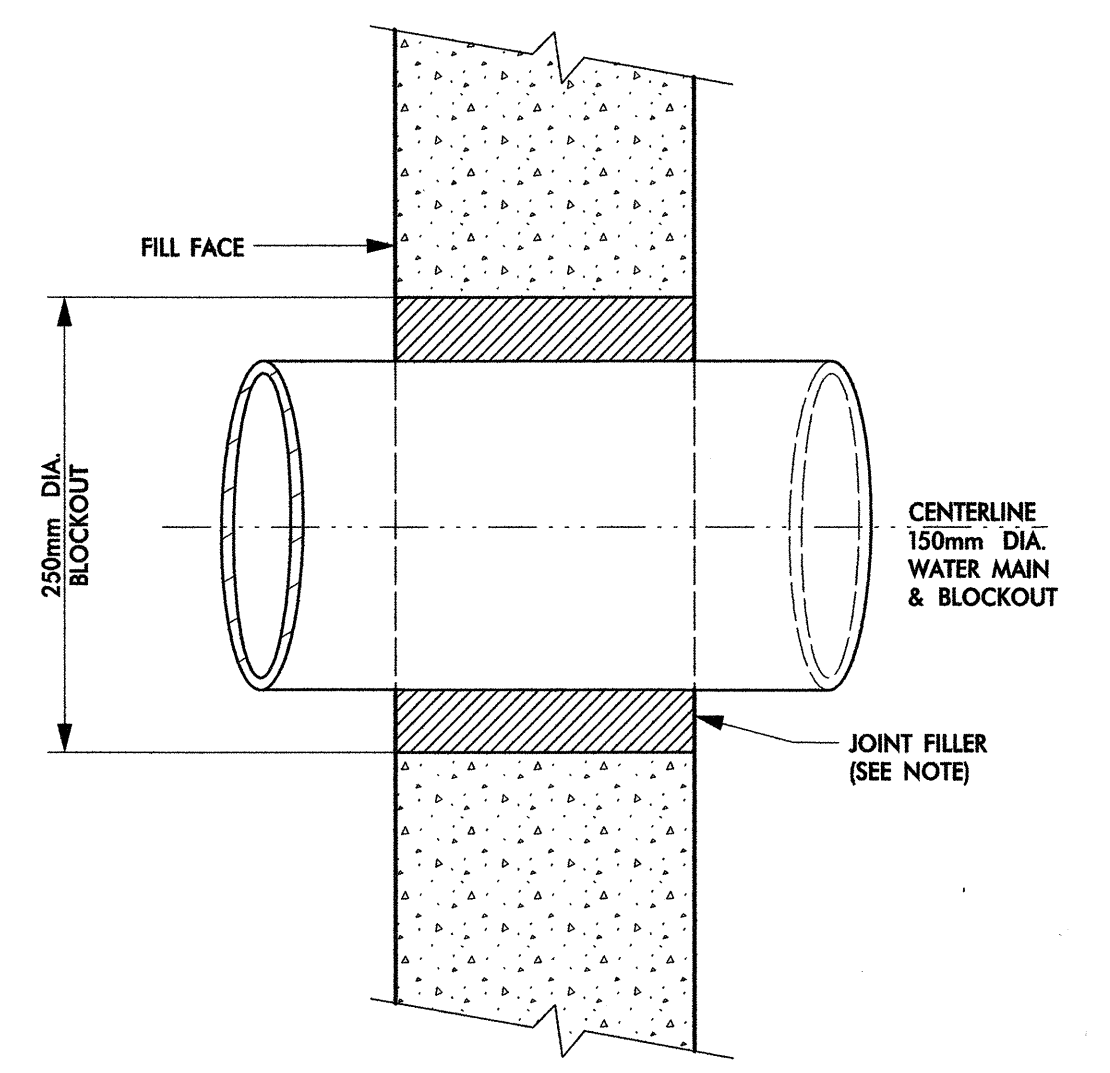


LATERAL BRACE DETAIL

NOTES:
 BRACE TO BE PLACED SNUG AGAINST GIRDER.
 DO NOT JACK OR FORCE.
 PROVIDE ONE BRACE PER JOINT OF PIPE,
 IMMEDIATELY BEHIND BELL.



PIPE HANGER DETAIL

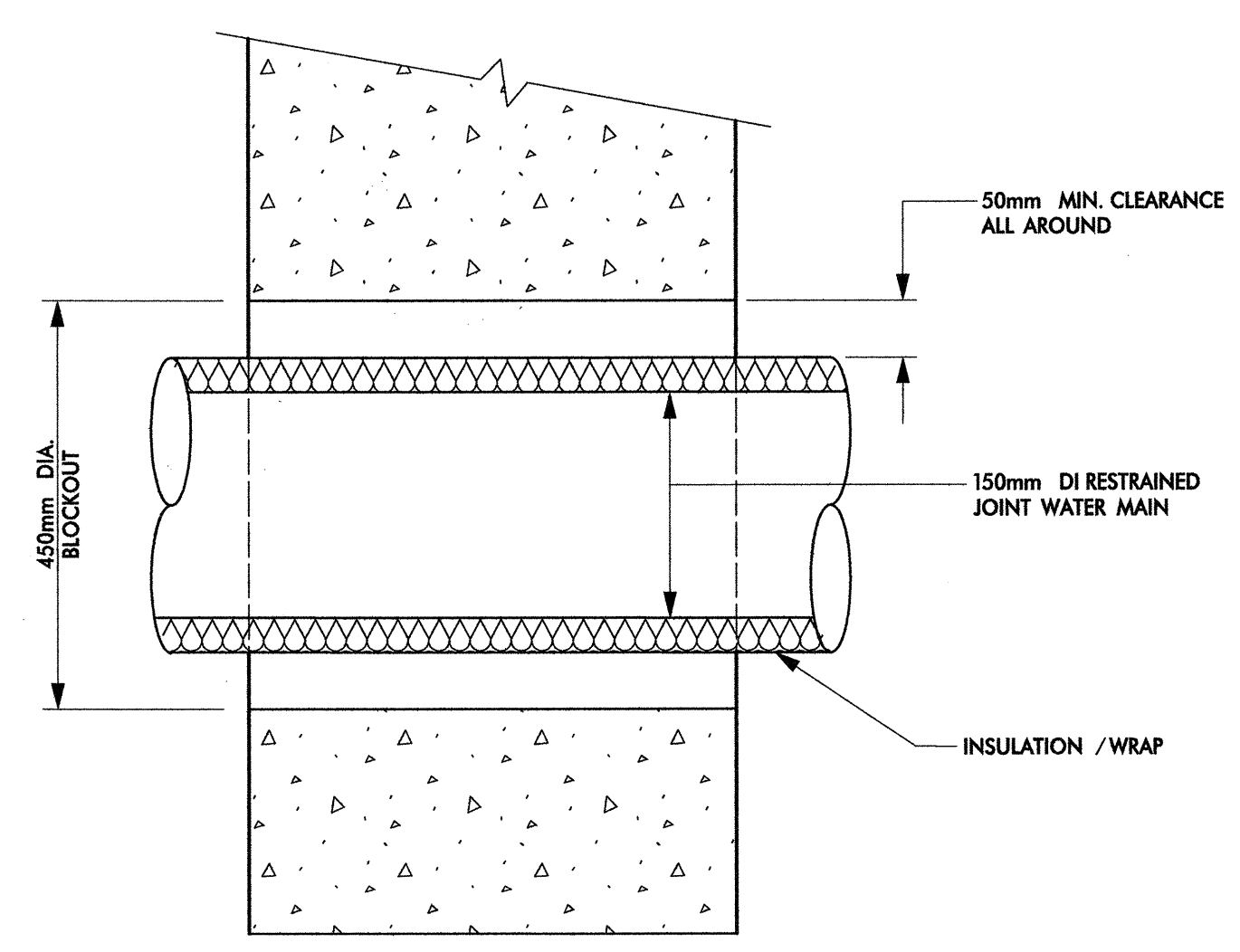


SECTION THRU BACK WALL

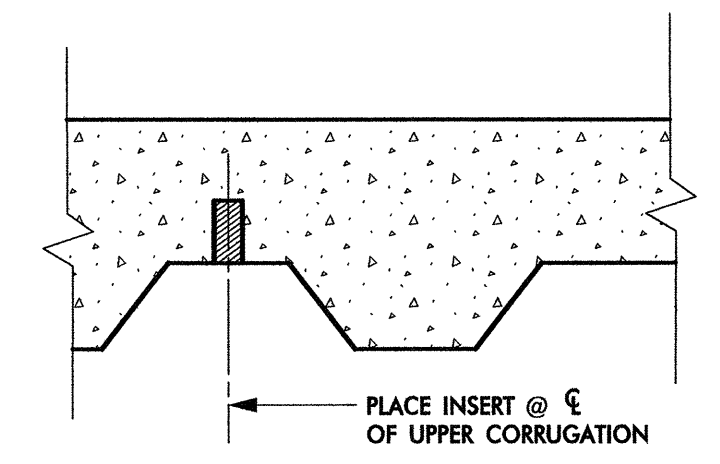
NOTE:
 CENTER UTILITY IN BLOCKOUT AND FILL ANNULAR SPACE
 AROUND UTILITY PIPE WITH JOINT FILLER IN ACCORDANCE
 WITH STANDARD SPECIFICATIONS ARTICLE 1028-1.

BILL OF MATERIAL FOR 150mm WATER MAIN		
NO.	UNITS	ITEMS
1	21 EA	22.23mm APPROVED CONCRETE INSERTS
2	21 EA	APPROVED 250mm (NOM.) ADJ. STEEL YOKE PIPE ROLL HANGER FOR 150mm D.I.R.J. WATER PIPE WITH 22.23mm DIA. HANGER RODS
3	65.7M	150mm D.I. RESTRAINED JOINT WATER PIPE PC 2.41MPa
4	2 EA	END PLUGS (OR CAPS) FOR 150mm D.I. PIPE
5	10 EA	LATERAL BRACE ASSEMBLIES
6	1 LOT	PIPE INSULATION (AS REQUIRED)

THESE QUANTITIES ARE FOR ESTIMATED QUANTITIES ONLY



SECTION THRU CONTINUOUS DIAPHRAGM (AT BENTS)

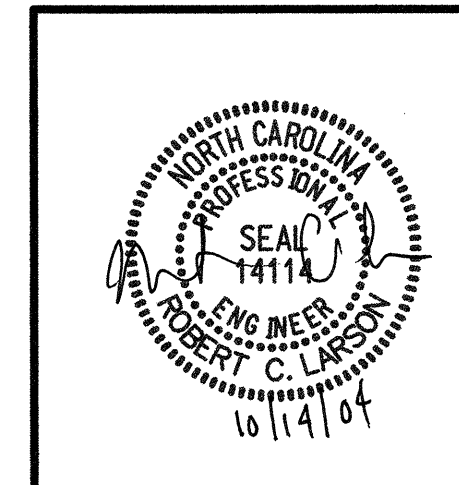


INSERT LOCATION IN STAY-IN-PLACE METAL FORM

PROJECT NO. B-2583
MADISON COUNTY
 STATION: 11+03.000 -Y1-

STATE OF NORTH CAROLINA
 DEPARTMENT OF TRANSPORTATION
 RALEIGH

UTILITY ATTACHMENTS
 DETAIL SHEET
 (150mm WATER LINE)



PLANS PREPARED BY:
MULKEY
 ENGINEERS & CONSULTANTS
 P.O. BOX 33127
 RALEIGH, NC 27636
 (919) 871-1012 FAX
 WWW.MULKEYINC.COM

REVISIONS						SHEET NO.
NO.	BY:	DATE:	NO.	BY:	DATE:	TOTAL SHEETS
1			3			5-104
2			4			112

DRAWN BY : GS DATE : 10-14-02
 CHECKED BY : RCL DATE : 10-14-02

REFERENCE NO.