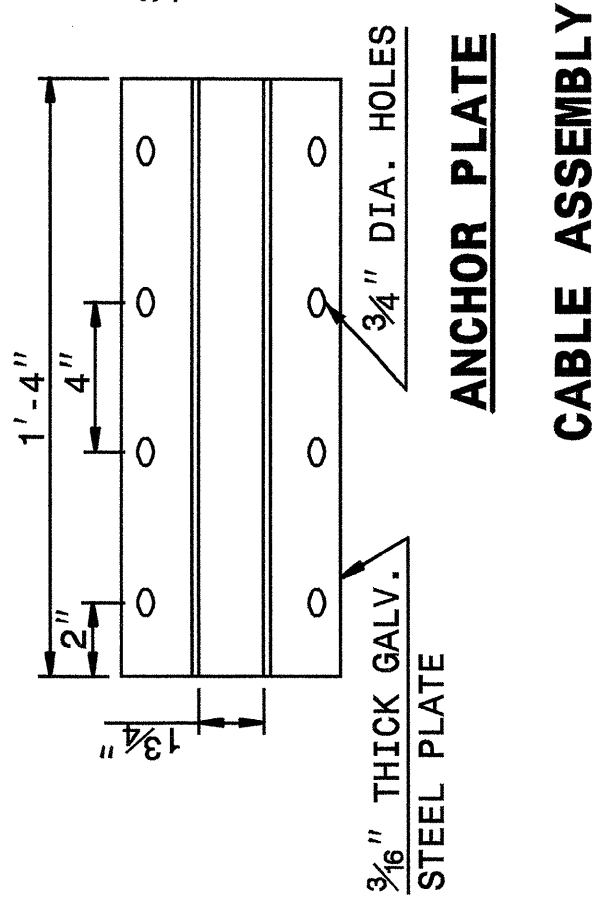
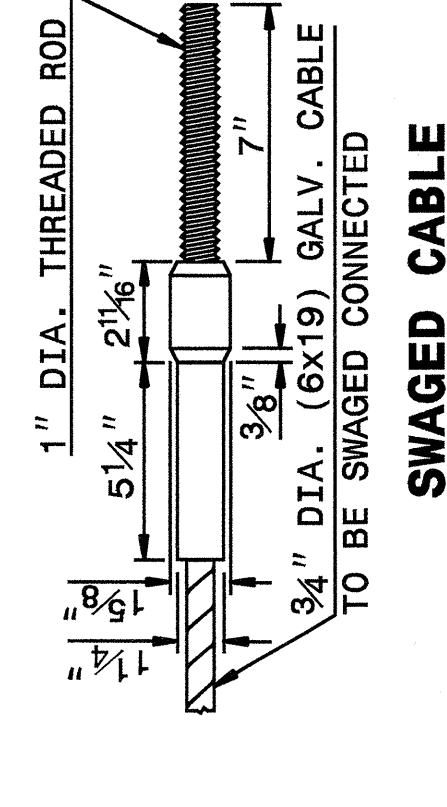
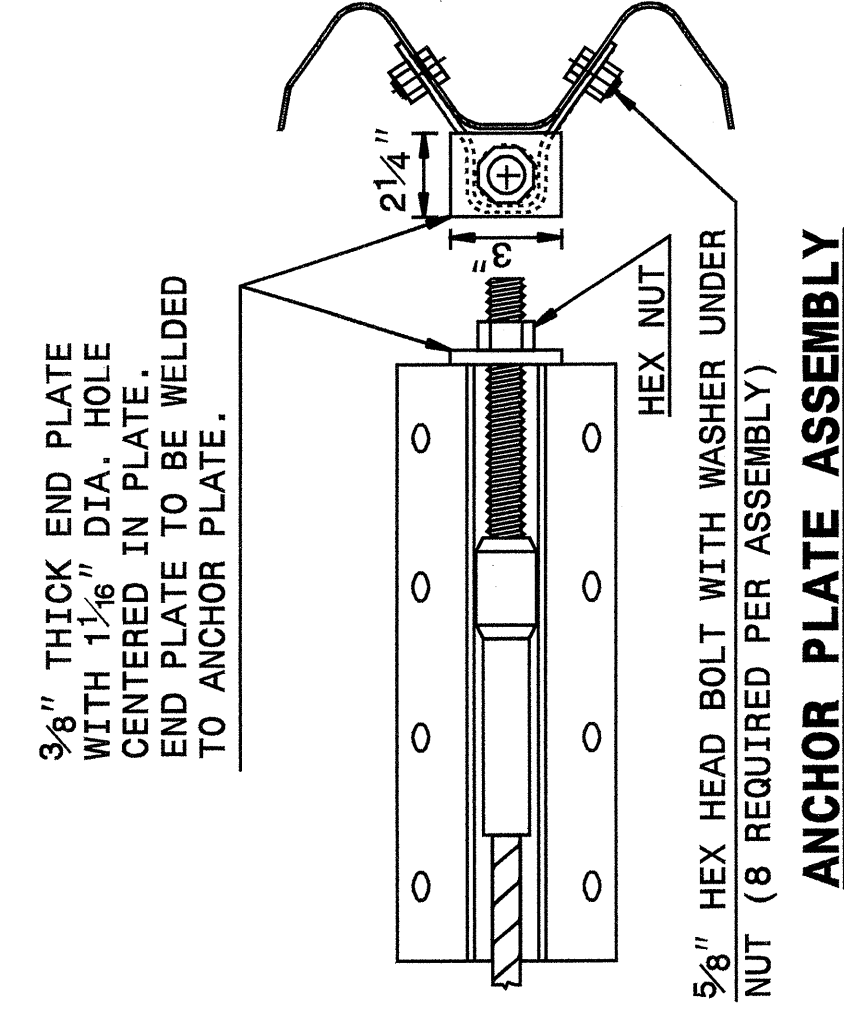
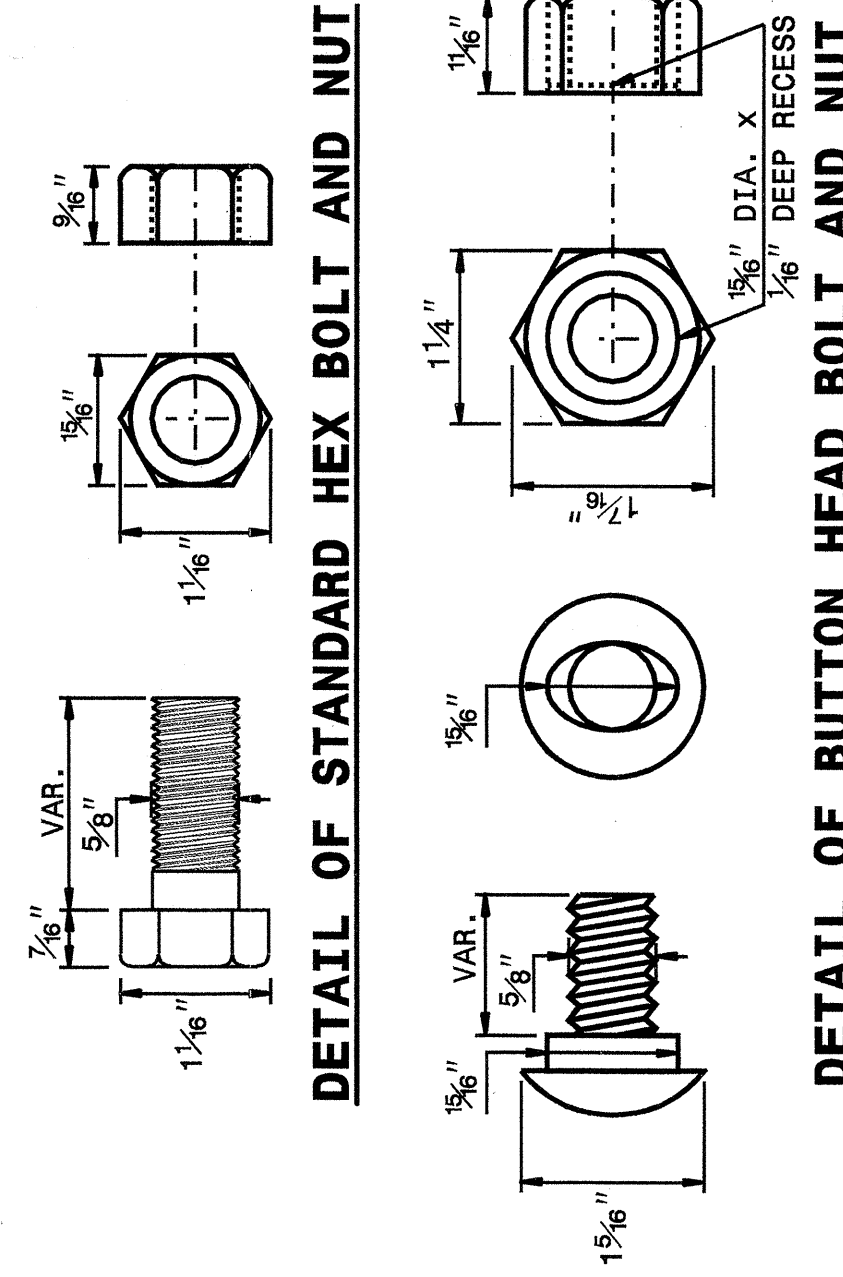
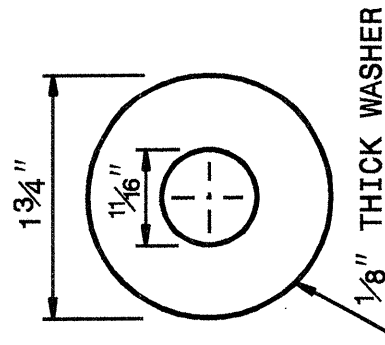
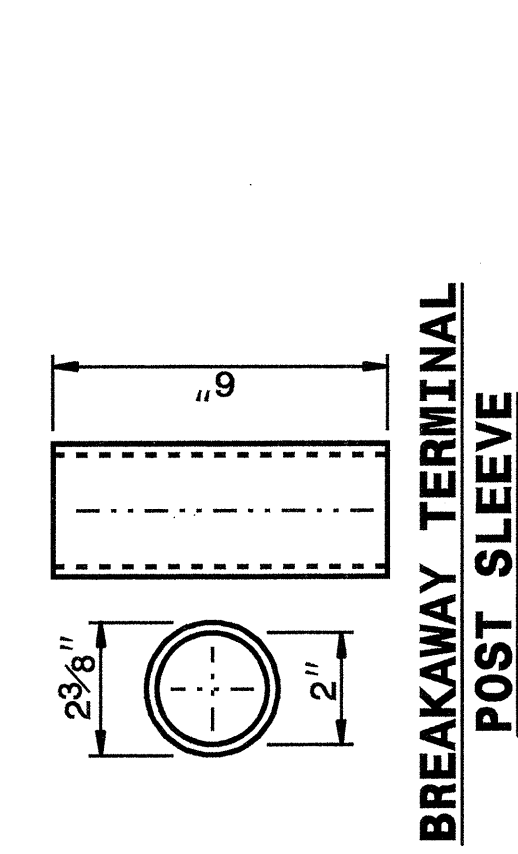


STATE OF  
 NORTH CAROLINA  
 DEPT. OF TRANSPORTATION  
 DIVISION OF HIGHWAYS  
 RALEIGH, N.C.

ENGLISH DETAIL DRAWING FOR  
**GUARDRAIL INSTALLATION**

SHEET 5 OF 7  
**862D02**



**SYSTEM PARTS**

SHEET 5 OF 7  
**862D02**

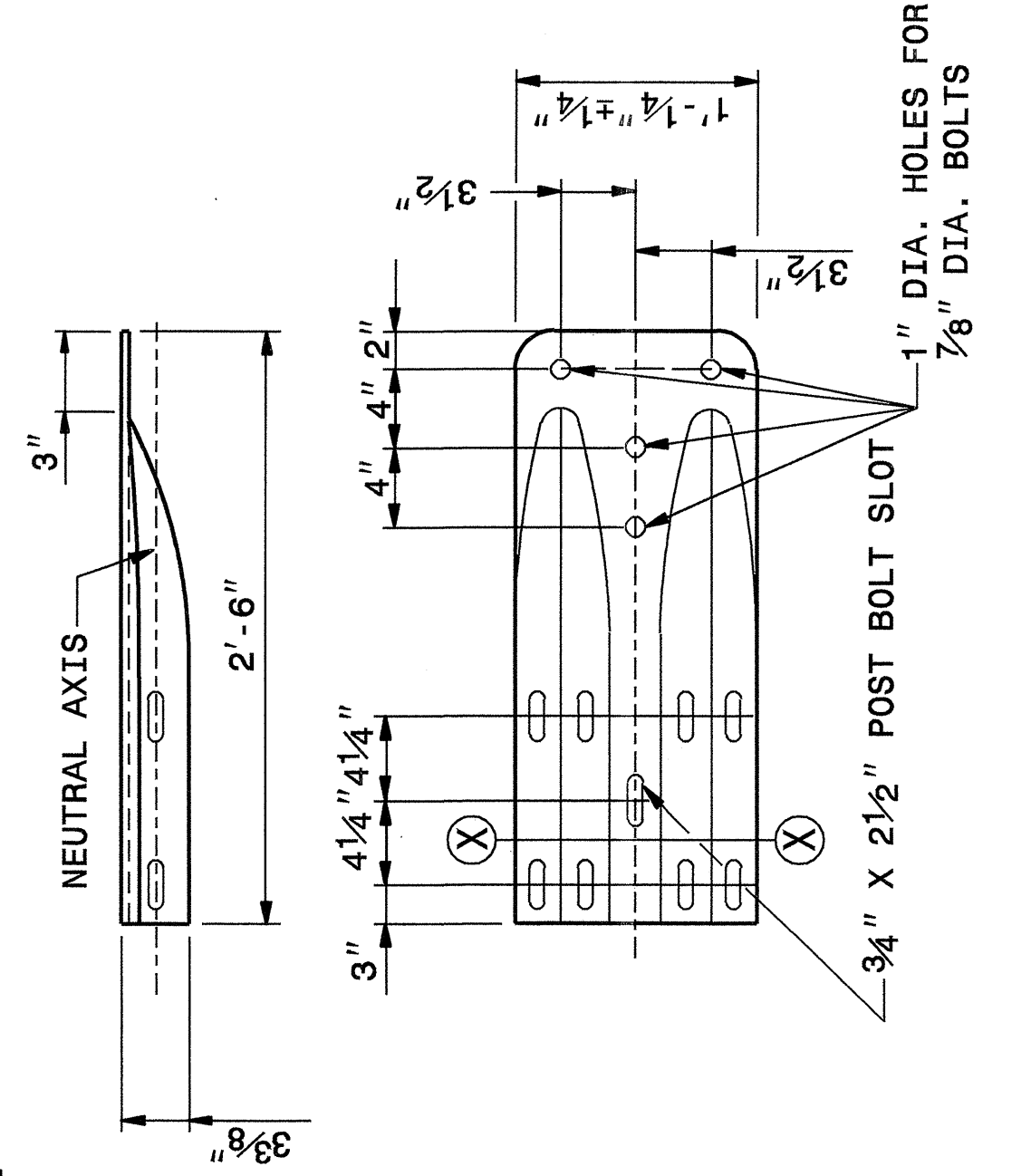
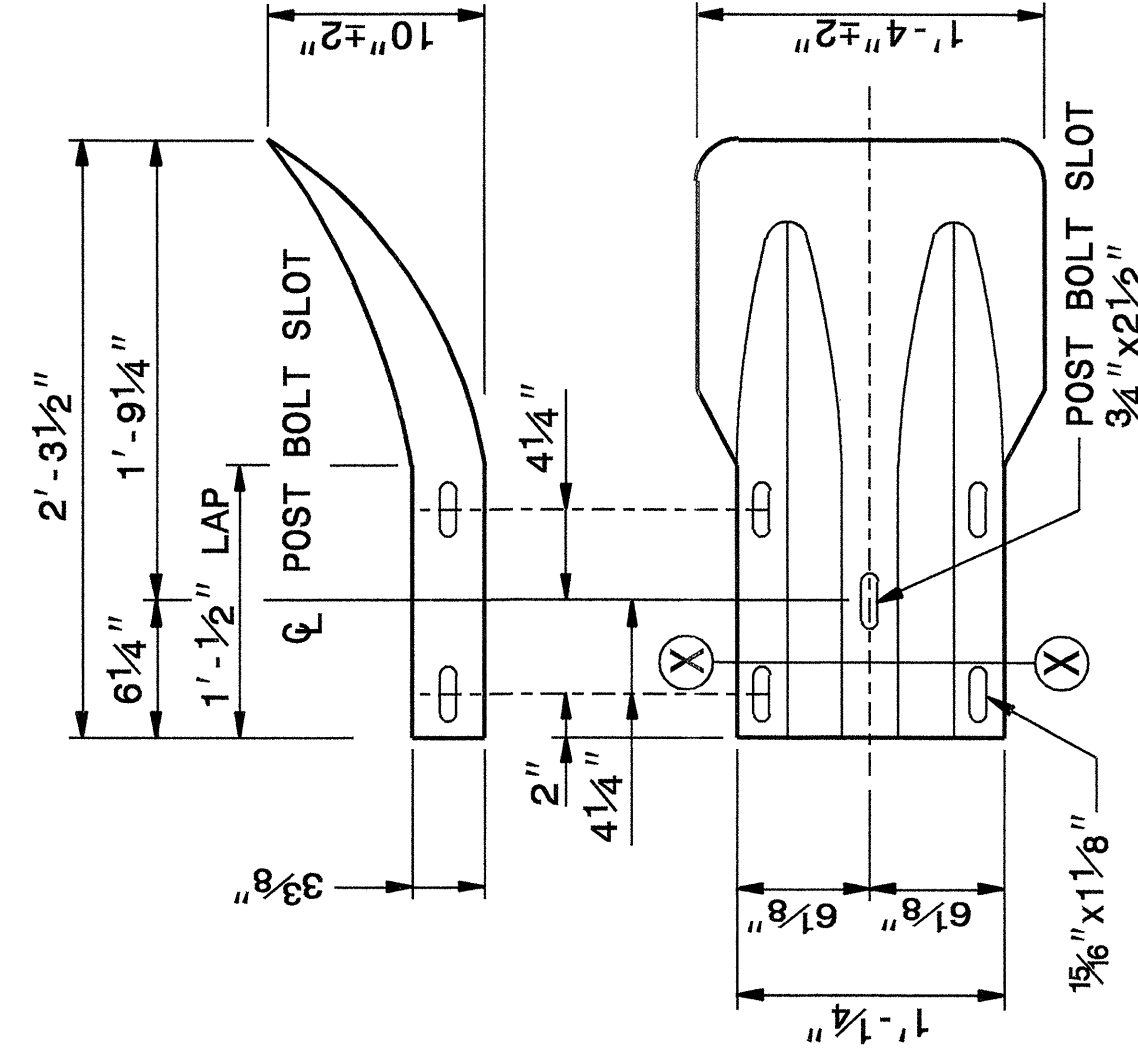
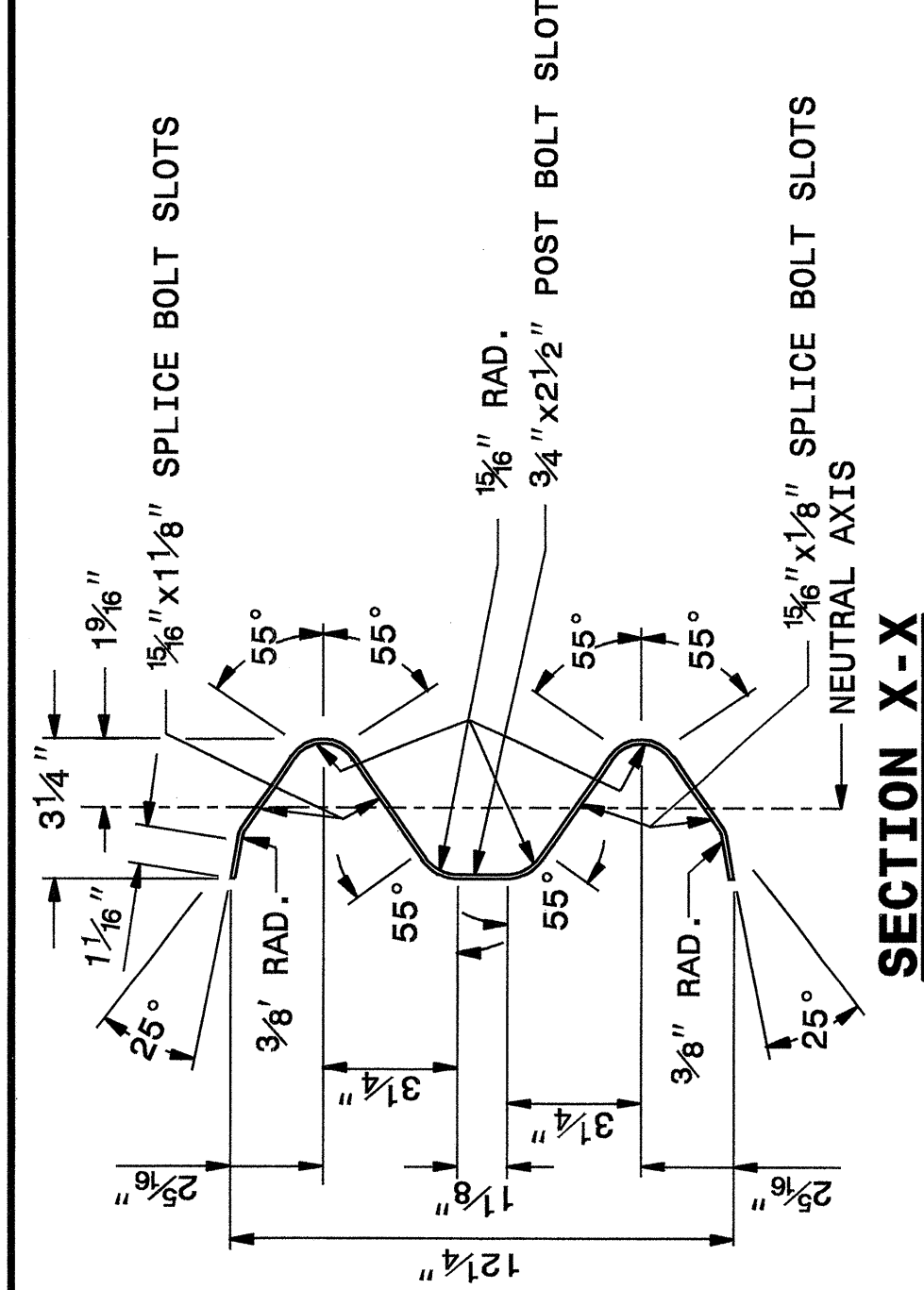
STATE OF  
 NORTH CAROLINA  
 DEPT. OF TRANSPORTATION  
 DIVISION OF HIGHWAYS  
 RALEIGH, N.C.

ENGLISH DETAIL DRAWING FOR  
**GUARDRAIL INSTALLATION**

STATE OF  
 NORTH CAROLINA  
 DEPT. OF TRANSPORTATION  
 DIVISION OF HIGHWAYS  
 RALEIGH, N.C.

ENGLISH DETAIL DRAWING FOR  
**GUARDRAIL INSTALLATION**

SHEET 6 OF 7  
**862D02**



**SYSTEM PARTS - GENERAL USE**

SHEET 6 OF 7  
**862D02**

ENGLISH DETAIL DRAWING FOR  
**GUARDRAIL INSTALLATION**

STATE OF  
 NORTH CAROLINA  
 DEPT. OF TRANSPORTATION  
 DIVISION OF HIGHWAYS  
 RALEIGH, N.C.

DESIGN SERVICES UNIT  
**STANDARDS AND SPECIAL DESIGN**  
 Office 919-250-4128 FAX 919-250-4119

**SEE PLATE FOR TITLE**

ORIGINAL BY: 2002 STD. 862.02 DATE:  
 MODIFIED BY: E. E. WARD DATE: 02-09-03  
 CHECKED BY: *[Signature]* DATE: 5-03  
 FILE SPEC.: /usr/stds/02stds/eng/1ish/86202/862d02.dgn

