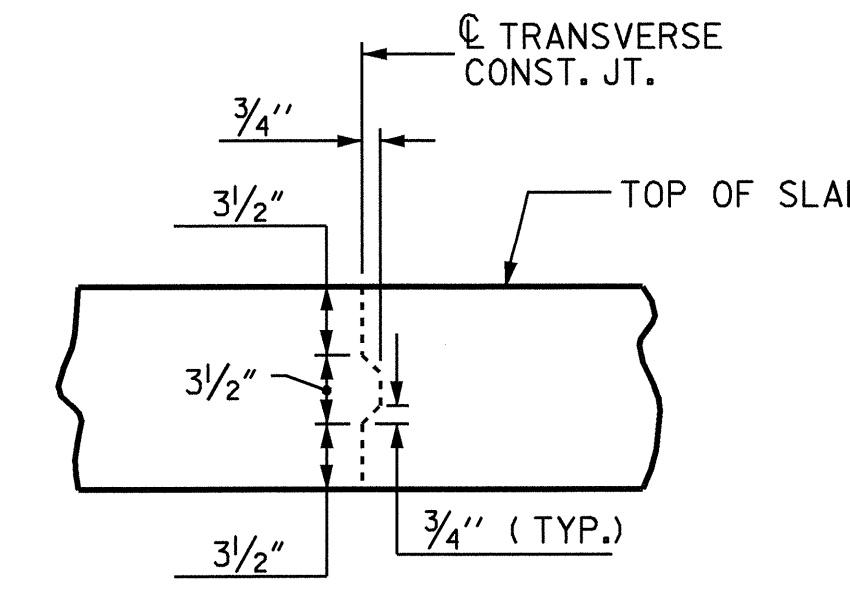
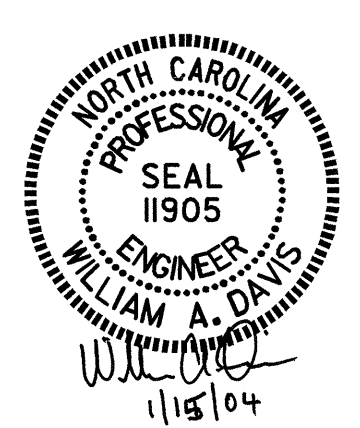


DETAIL A



TRANSVERSE CONSTRUCTION JOINT DETAIL

NOTE: REINFORCING STEEL IN SLAB NOT SHOWN.
LONGITUDINAL REINFORCING STEEL SHALL BE
CONTINUOUS THRU JOINT



PROJECT NO. B-3485
MACON COUNTY
STATION: 15+52.00 -L-
SHEET 1 OF 2

STATE OF NORTH CAROLINA
DEPARTMENT OF TRANSPORTATION
RALEIGH
SUPERSTRUCTURE
PLAN OF SPANS

DRAWN BY: S.H. SOCKWELL DATE: 2/6/02
CHECKED BY: J.G. KHARVA DATE: 2/28/02

REVISIONS						SHEET NO.
NO.	BY:	DATE:	NO.	BY:	DATE:	S-6
1			3			TOTAL SHEETS
2			4			32