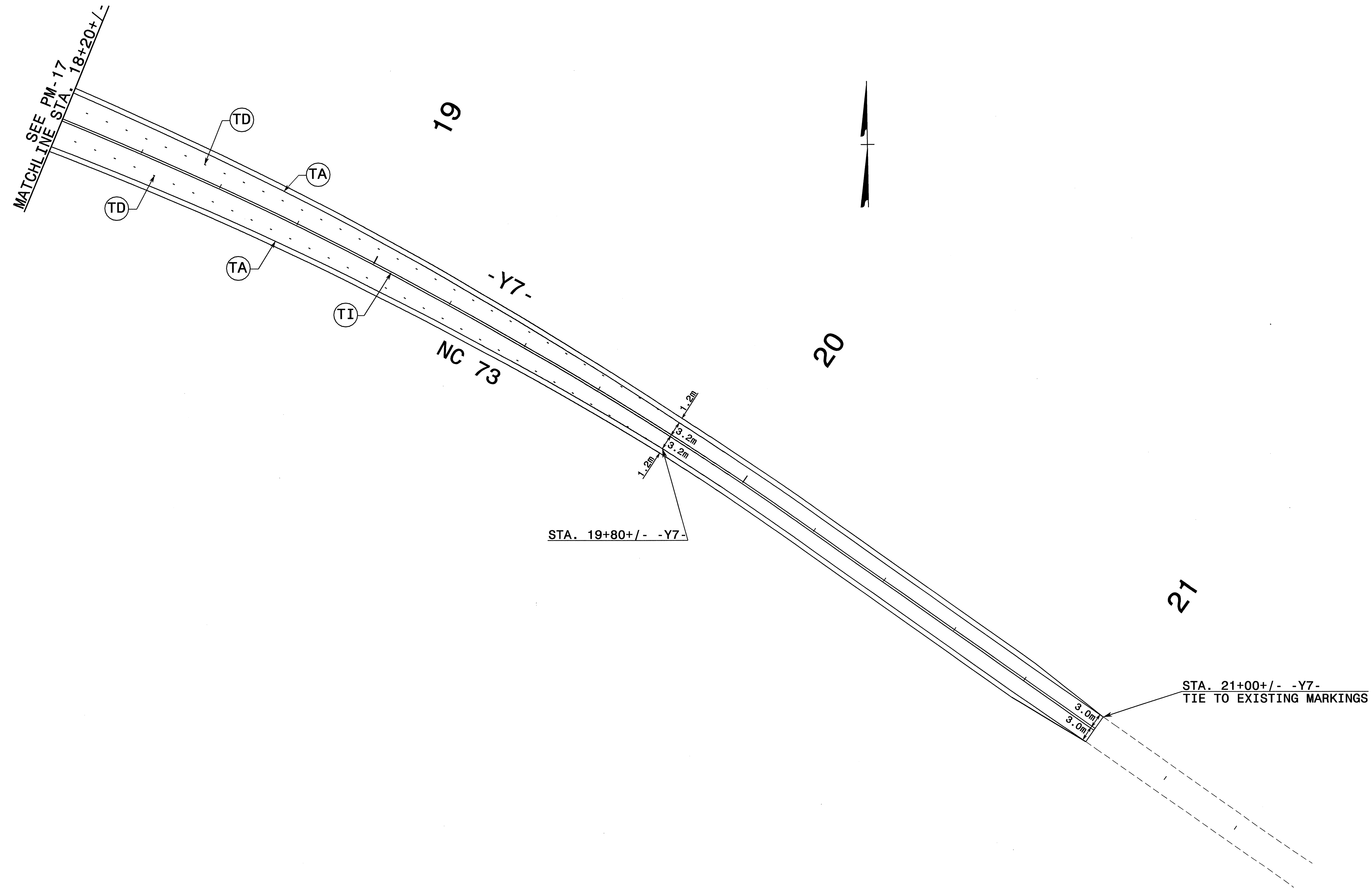
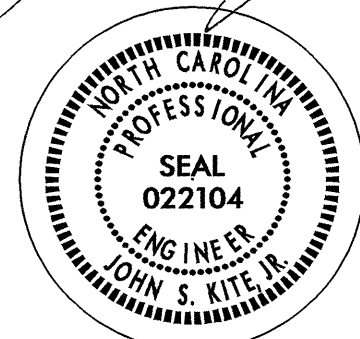





PROJ. REFERENCE NO.	SHEET NO.
R-2206AA	PM-18



24-SEP-2004 08:57  
 J:\TCP\pavement\markings\R2206AA\_TC.pmp18.dgn  
 scoarts AT TETC206428

APPROVED: <i>[Signature]</i> DATE: 9/24/04		<b>FINAL PAVEMENT MARKINGS</b>				
SEAL 	SCALE: 1:500					
	DATE: 09/01/04	REVISIONS				
	DWG. BY: SBC					
	DESIGN BY: SBC					
REVIEWED BY: CLM						