

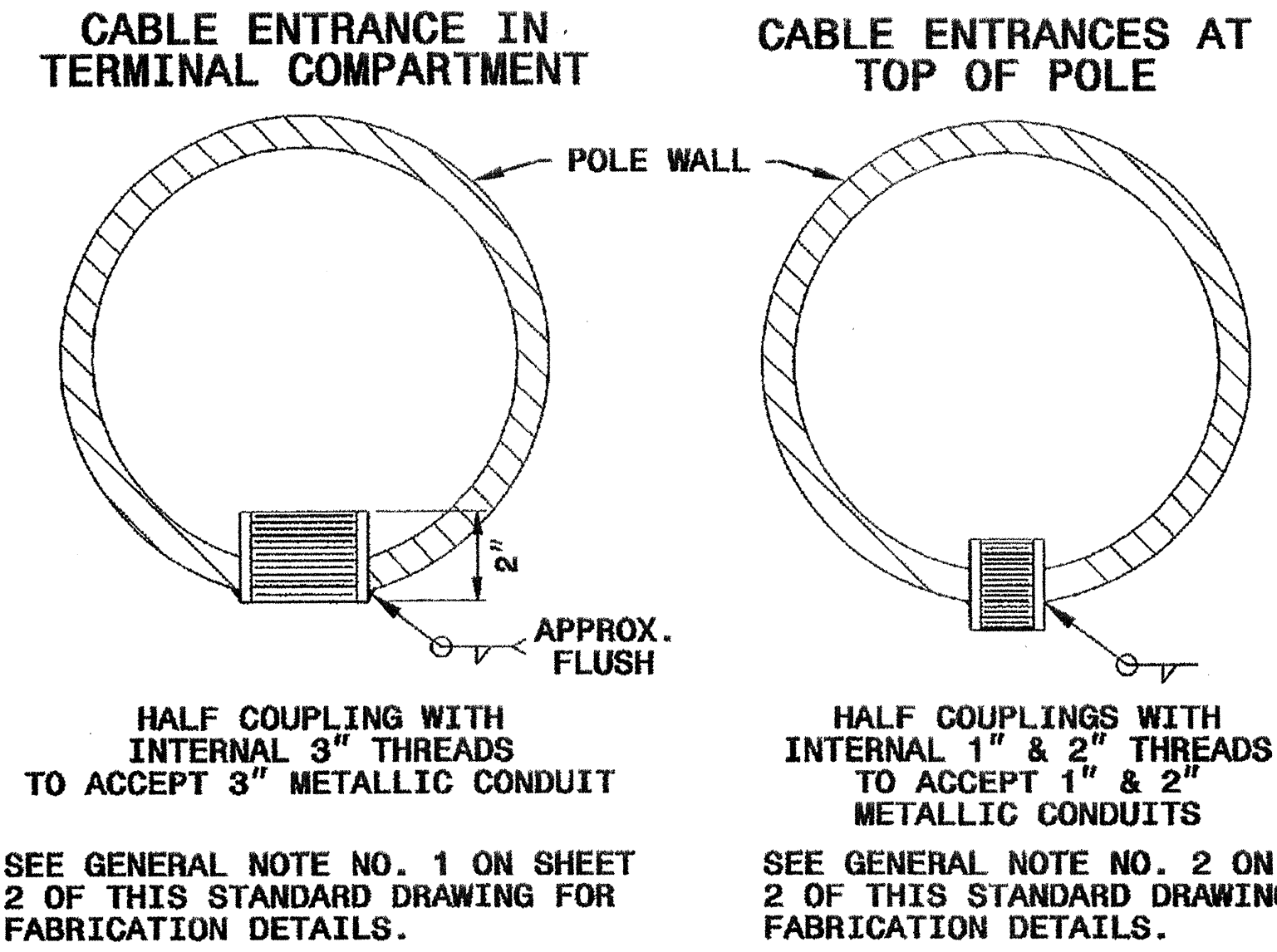
STATE OF NORTH CAROLINA
 DEPT. OF TRANSPORTATION
 DIVISION OF HIGHWAYS
 RALEIGH, N.C.

9-03

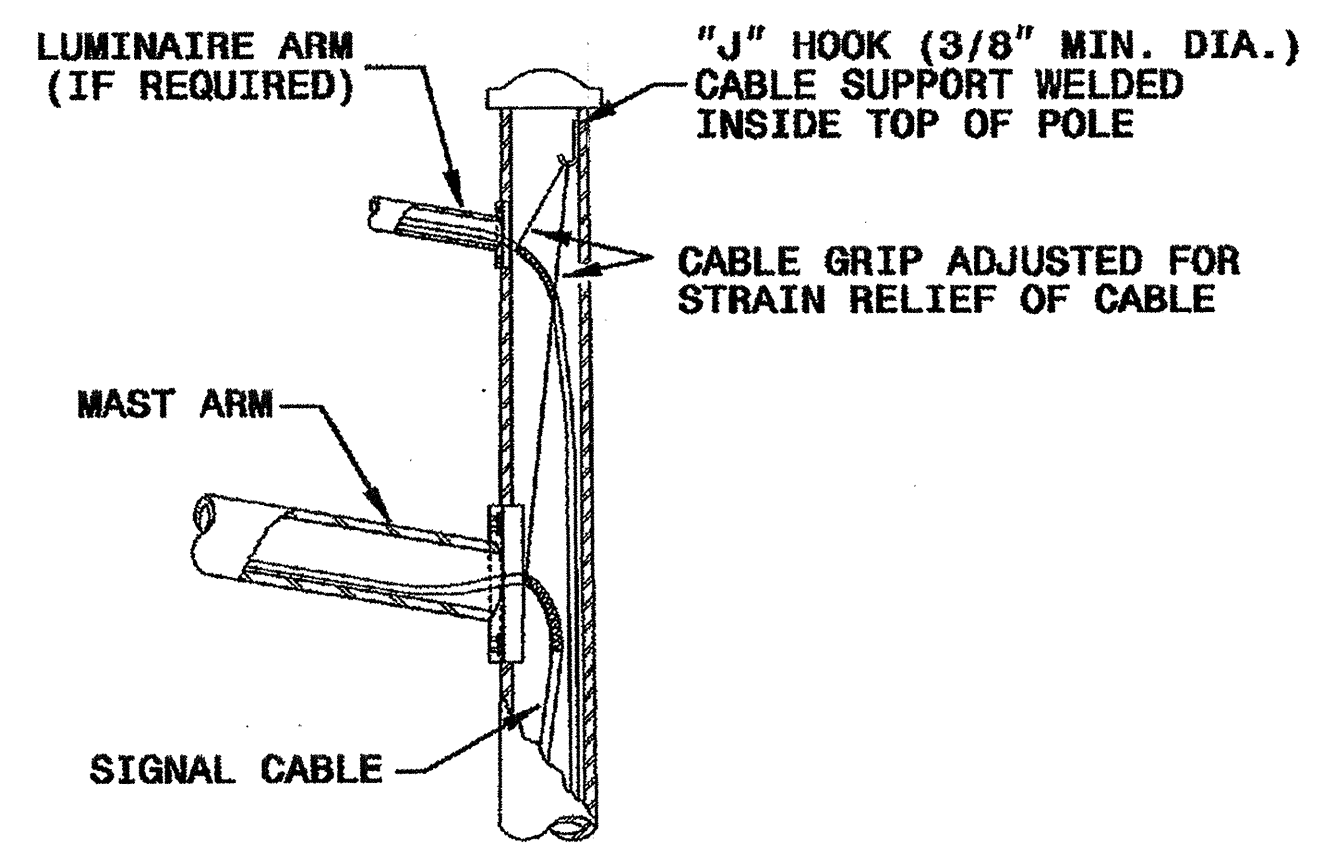
ENGLISH STANDARD DRAWING FOR
METAL POLES
 MISCELLANEOUS DETAILS

SHEET 3 OF 3
1740.01

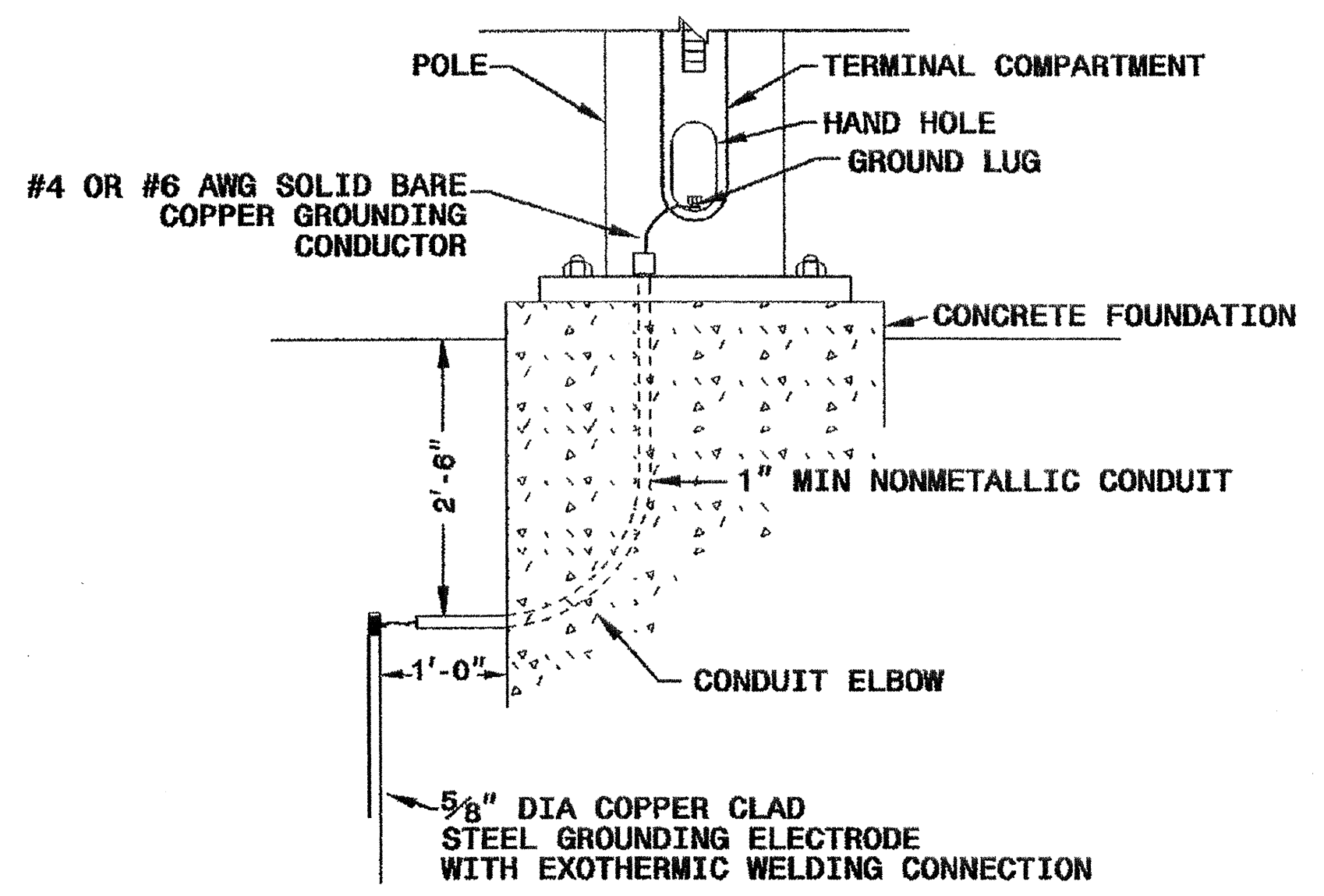
MOUNTING POINT DETAIL



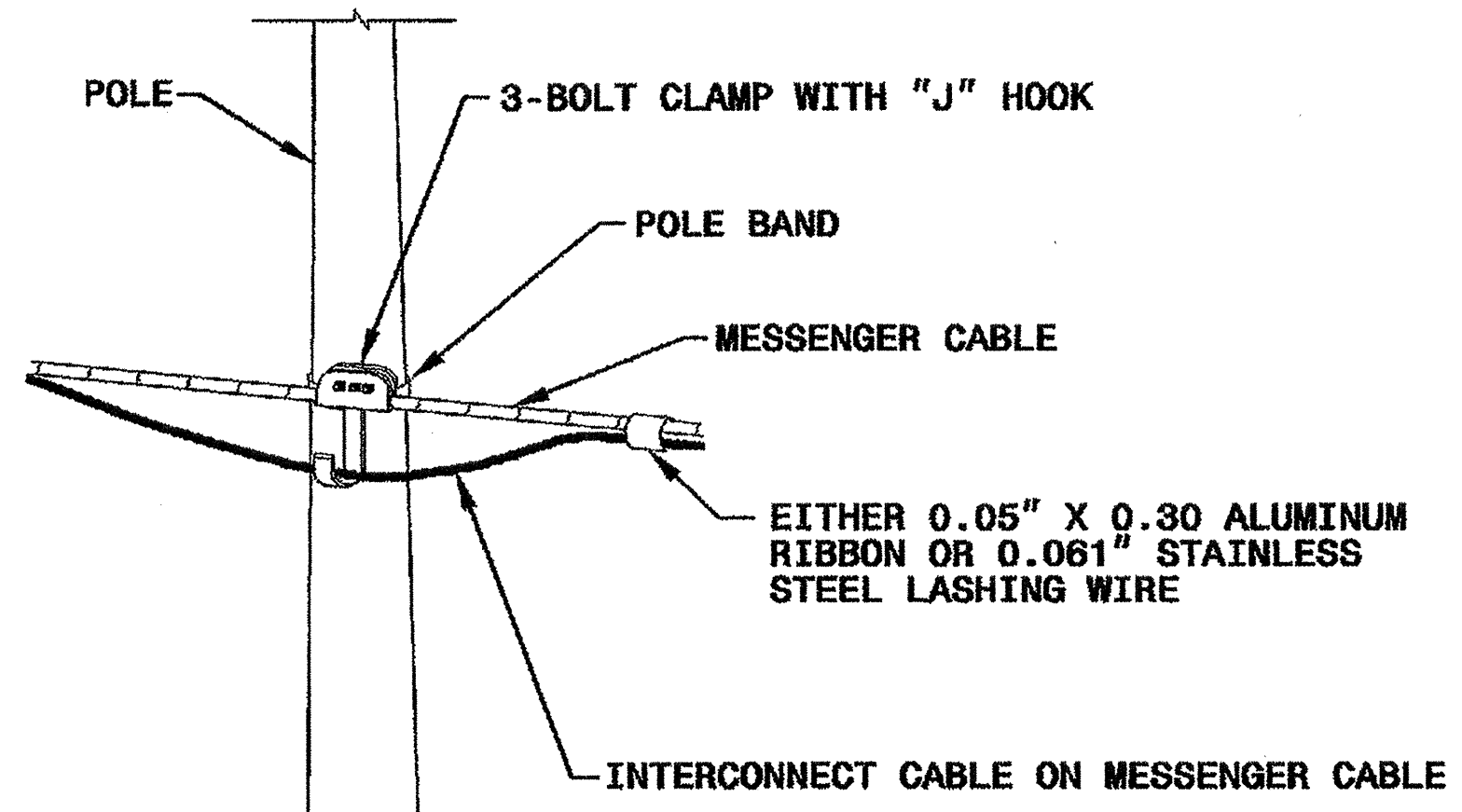
CABLE STRAIN RELIEF



METAL POLE GROUNDING DETAIL



ATTACHMENT OF CABLE TO INTERMEDIATE METAL POLE



STATE OF NORTH CAROLINA
 DEPT. OF TRANSPORTATION
 DIVISION OF HIGHWAYS
 RALEIGH, N.C.

9-03

ENGLISH STANDARD DRAWING FOR
METAL POLES
 MISCELLANEOUS DETAILS

SHEET 3 OF 3
1740.01

Structural Engineer DEBES C. SARIKAR 9/19/03	Electrical Engineer MILTON I. DEAN 9/22/03
Standard Drawings Traffic Management and Signal Systems Unit 122 N. McDowell St., Raleigh, NC 27603	
See Plate for Title	
Original: 2002 Standards	

19-SEP-2003 14:27
 s:\p03188\un1\h000\kpr\p03188\roadway\standard\174001\std.dgn
 d:\exchdir