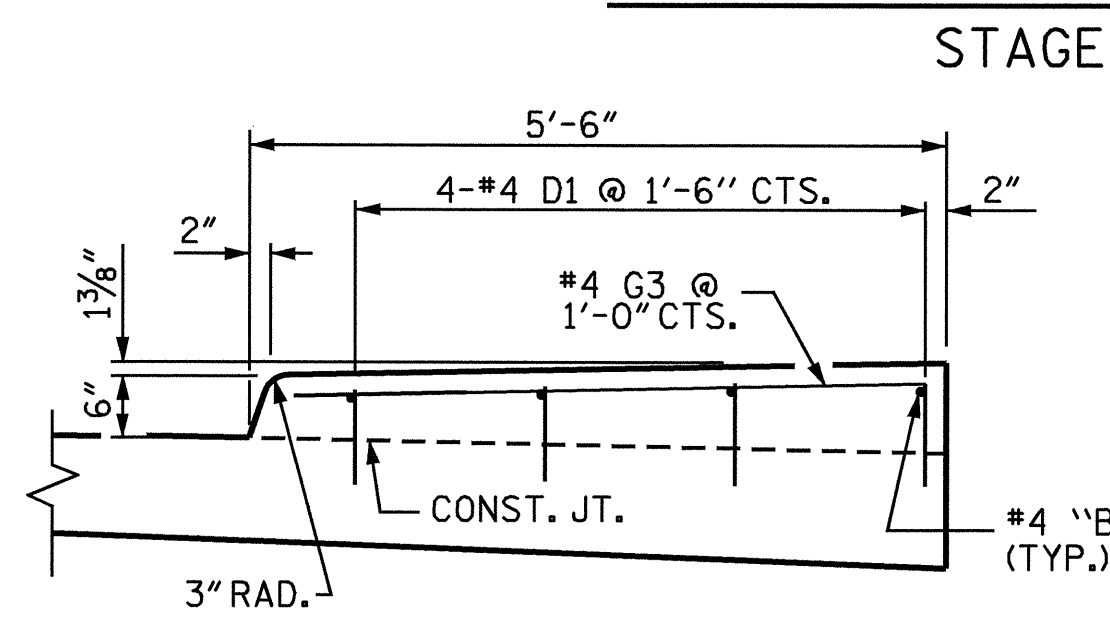
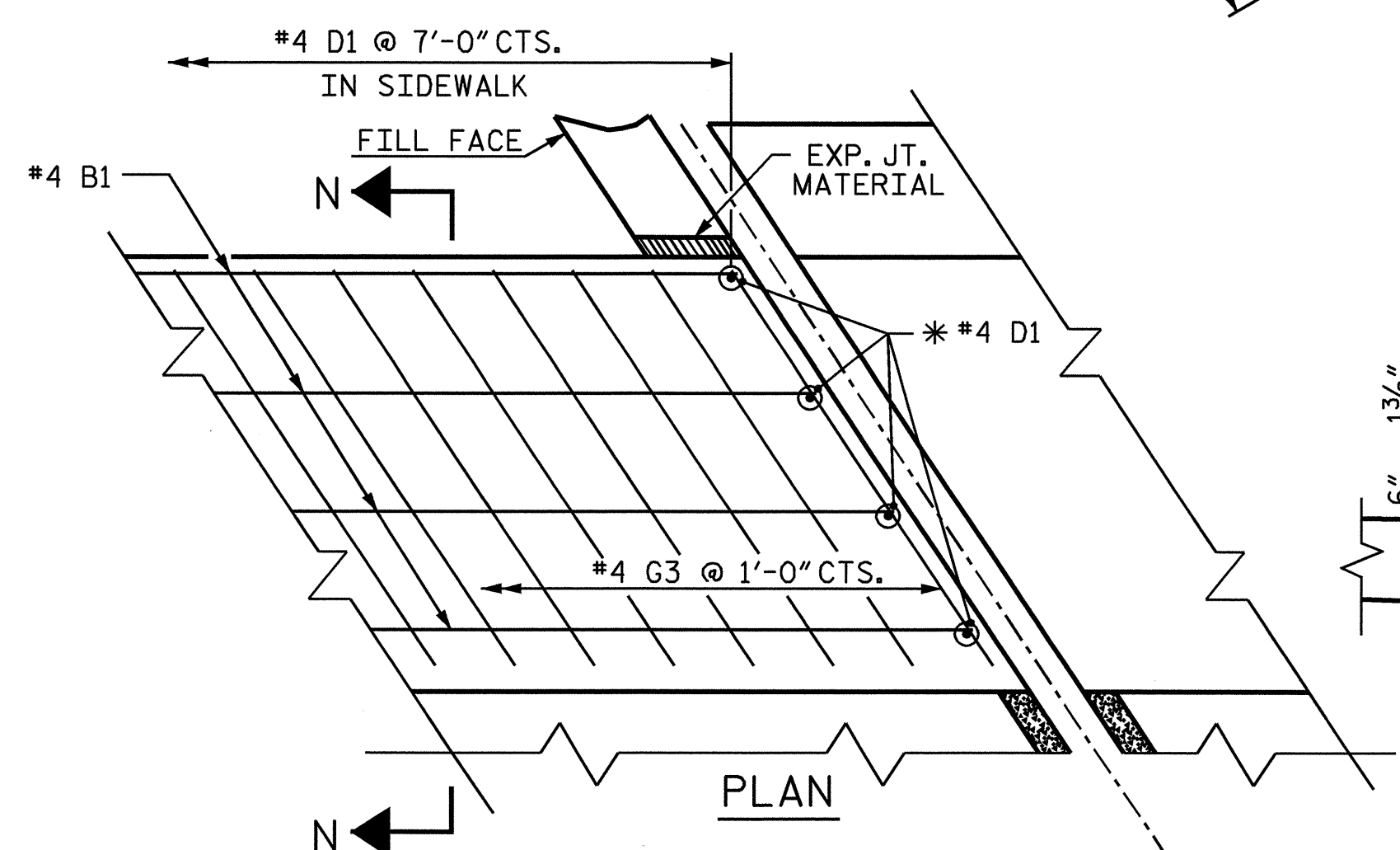


PLAN - END BENT 1

PLAN - END BENT 2



SECTION N-N

* THESE DOWELS ARE TO BE PLACED AFTER THE SAWING OF THE JOINT. THE HOLES SHALL BE DRILLED AND THE DOWELS GROUTED INTO PLACE

DETAILS OF SIDEWALK ON APPROACH SLAB

BEGIN APPROACH SLAB SHOWN, END APPROACH SLAB SIMILAR

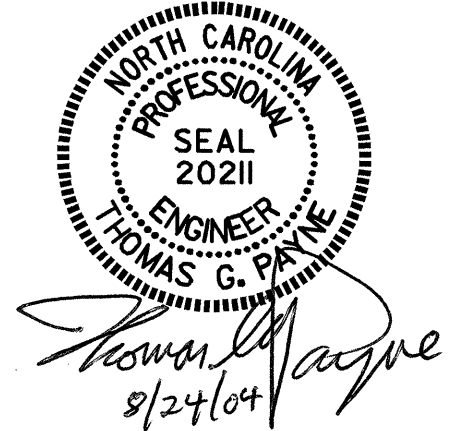
EXTEND #5A100-A106 BARS 2'-8" BEYOND CONST. JT. FOR 2'-6" SPLICE. EXTEND #4A200-A206 BARS 1'-11" FOR 1'-9" SPLICE.

EXTEND #5A110 BARS 2'-8" BEYOND CONST. JT. FOR 2'-6" SPLICE. EXTEND #4A210 BARS 1'-11" FOR 1'-9" SPLICE.

PROJECT NO. I-2102
 FORSYTH COUNTY
 STATION: 20+71.54 -L-

SHEET 1 OF 5

STATE OF NORTH CAROLINA
 DEPARTMENT OF TRANSPORTATION
 RALEIGH
 STANDARD
 BRIDGE APPROACH SLAB
 FOR FLEXIBLE
 PAVEMENT
 STAGE 1



REVISIONS				SHEET NO.	
NO.	BY:	DATE:	NO.	BY:	DATE:
1			3		
2			4		

TOTAL SHEETS: 51

DRAWN BY: A. CHAN DATE: 5/20/04
 CHECKED BY: A.K. PATEL DATE: 6/1/04