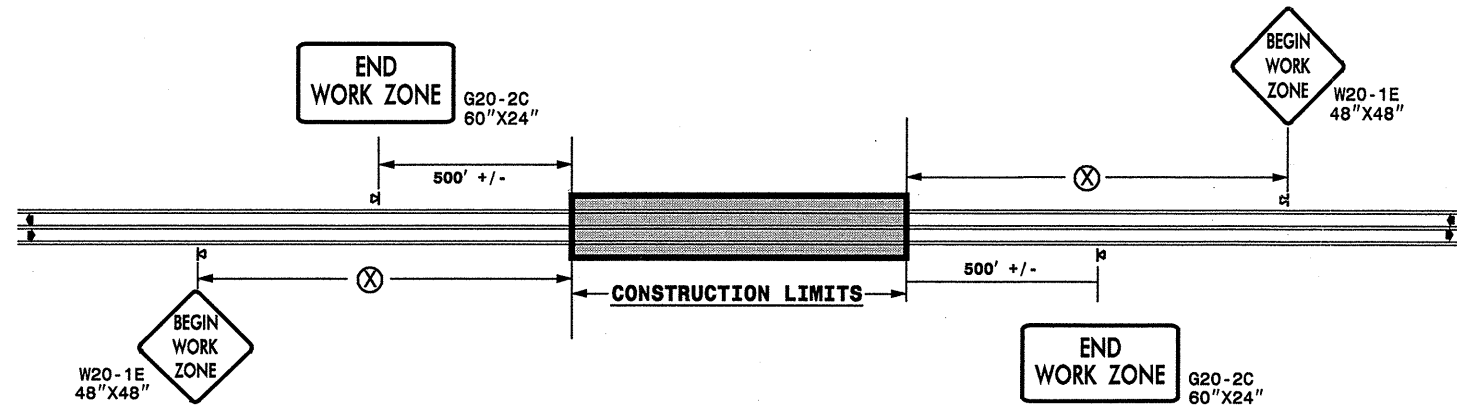


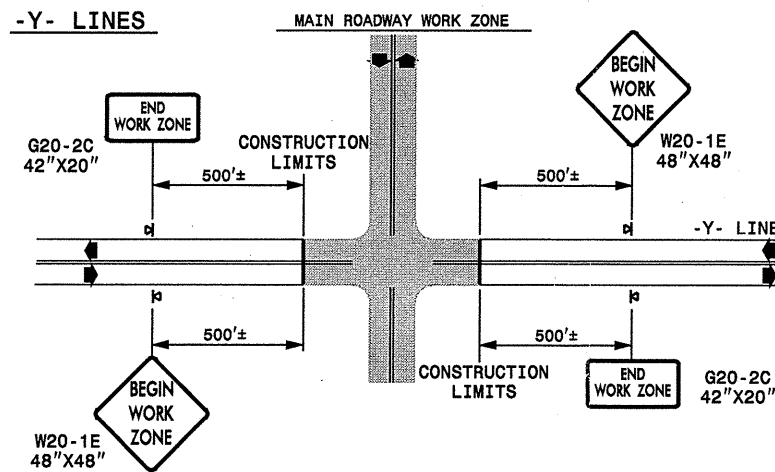
**TWO-WAY UNDIVIDED WORK ZONE (L-LINES)**



POSTED SPEED LIMIT (M.P.H.)	RECOMMENDED MINIMUM SIGN SPACING
≤ 35	300'
40 - 50	1150'
55	1600'

STATE OF NORTH CAROLINA  
DEPT. OF TRANSPORTATION  
DIVISION OF HIGHWAYS  
RALEIGH, N.C.

**ROADWAYS INTERSECTING ALONG 2 WAY UNDIVIDED WORK ZONE (Y-LINES)**




DETAIL DRAWING FOR  
TWO-WAY UNDIVIDED  
WORK ZONE WARNING SIGNS

**GENERAL NOTES**

- DO NOT INSTALL ADVANCE WARNING SIGNS MORE THAN 3 DAYS PRIOR TO BEGINNING OF WORK.
- MOUNT SIGNS ON PORTABLE SIGN STANDS.
- ALL SIGN SPACING DIMENSIONS ARE APPROXIMATE. FIELD ADJUST AS NECESSARY OR AS DIRECTED.

LEGEND	
◀	PORTABLE SIGN
▶	DIRECTION OF TRAFFIC FLOW

SHEET 1 OF 1

APPROVED: _____ DATE: _____	DETAIL DRAWING FOR TWO-WAY UNDIVIDED WORK ZONE SIGNS										
SEAL	SCALE: NONE	REVISIONS									
	DATE: 09-06-2001										
	DWG. BY: MMM										
	DESIGN BY: MMM										
REVIEWED BY:		<table border="1"> <tr> <td>NO.</td> <td>DATE</td> <td>BY</td> </tr> <tr> <td> </td> <td> </td> <td> </td> </tr> <tr> <td> </td> <td> </td> <td> </td> </tr> </table>	NO.	DATE	BY						
NO.	DATE	BY									