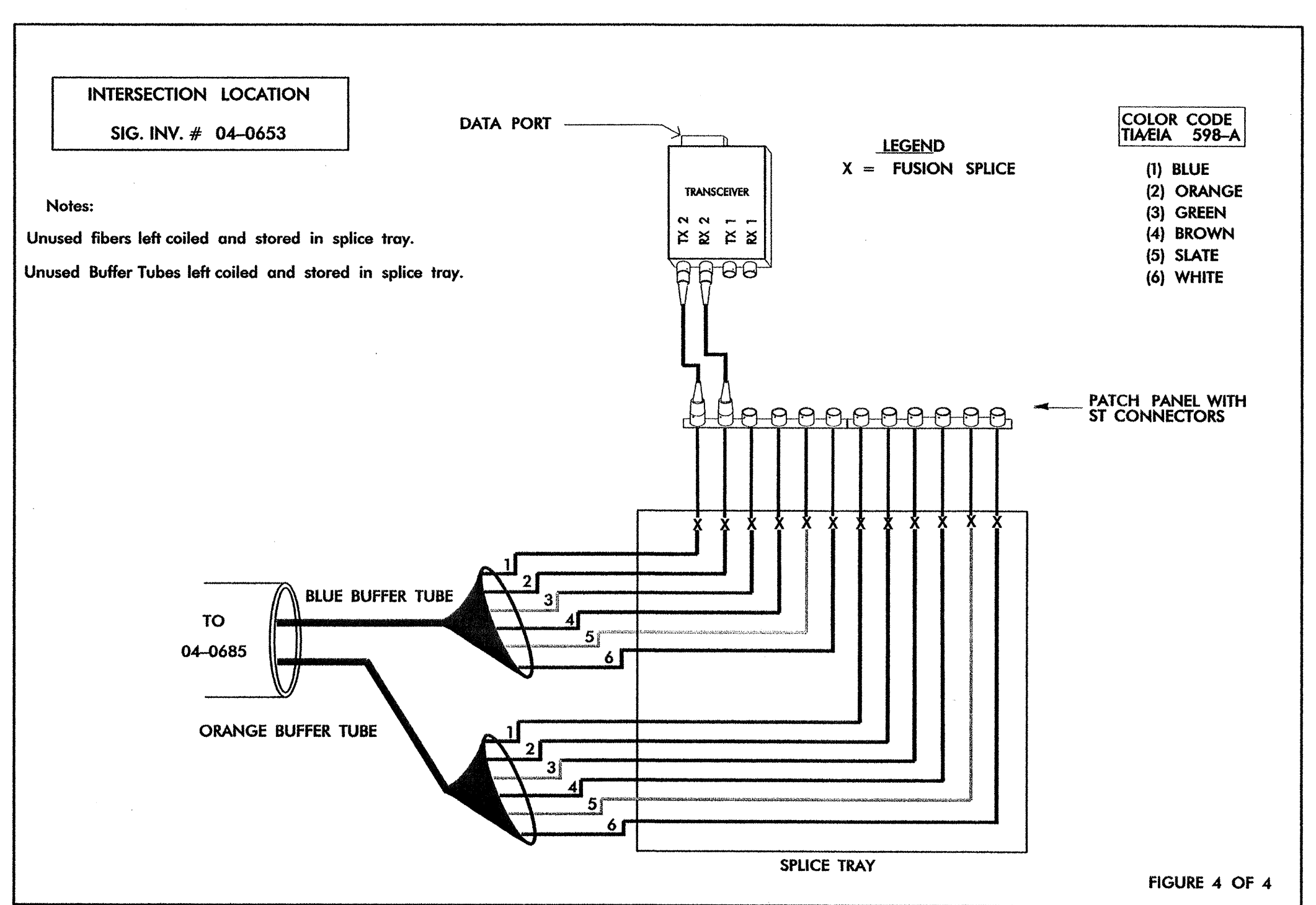
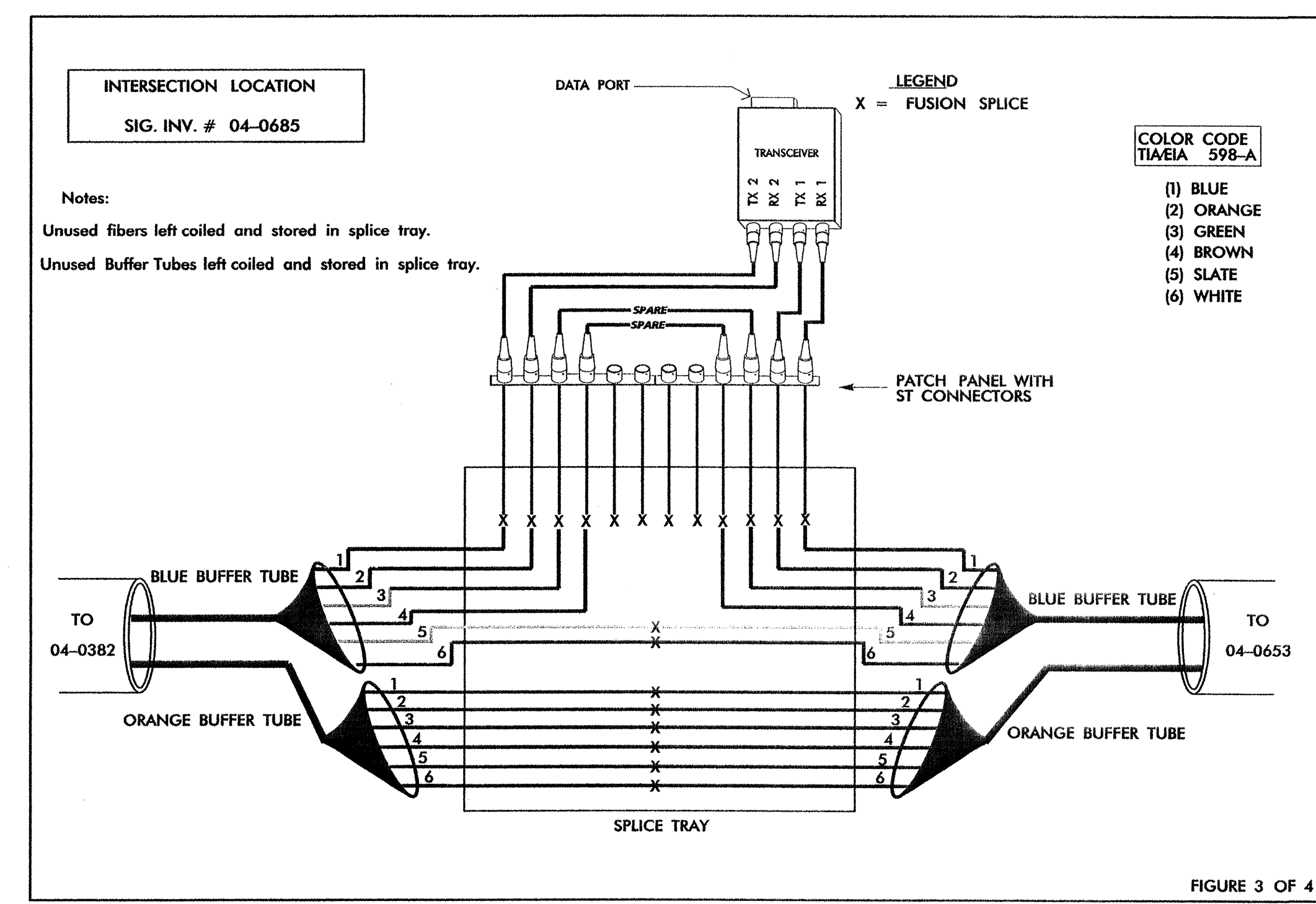
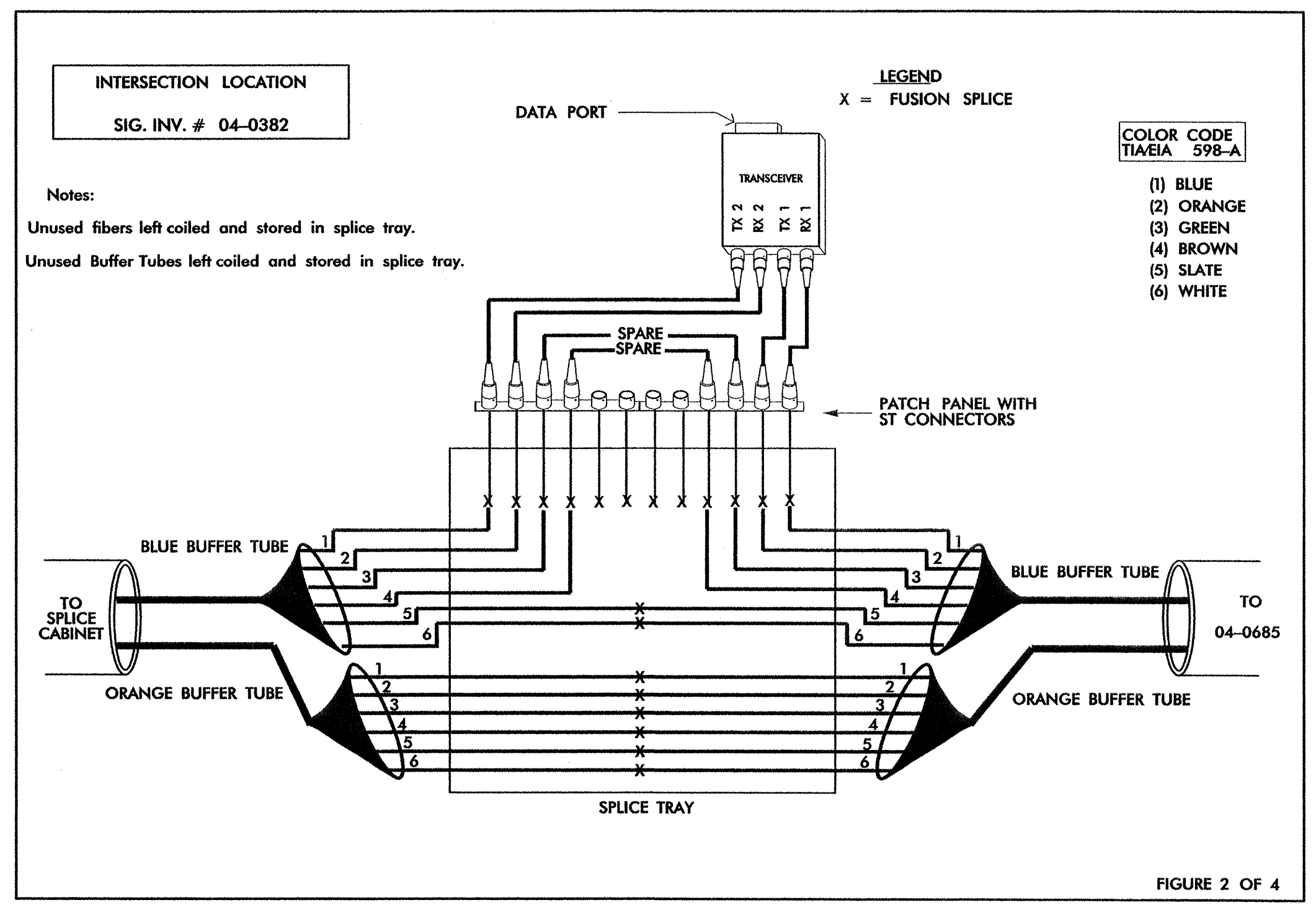
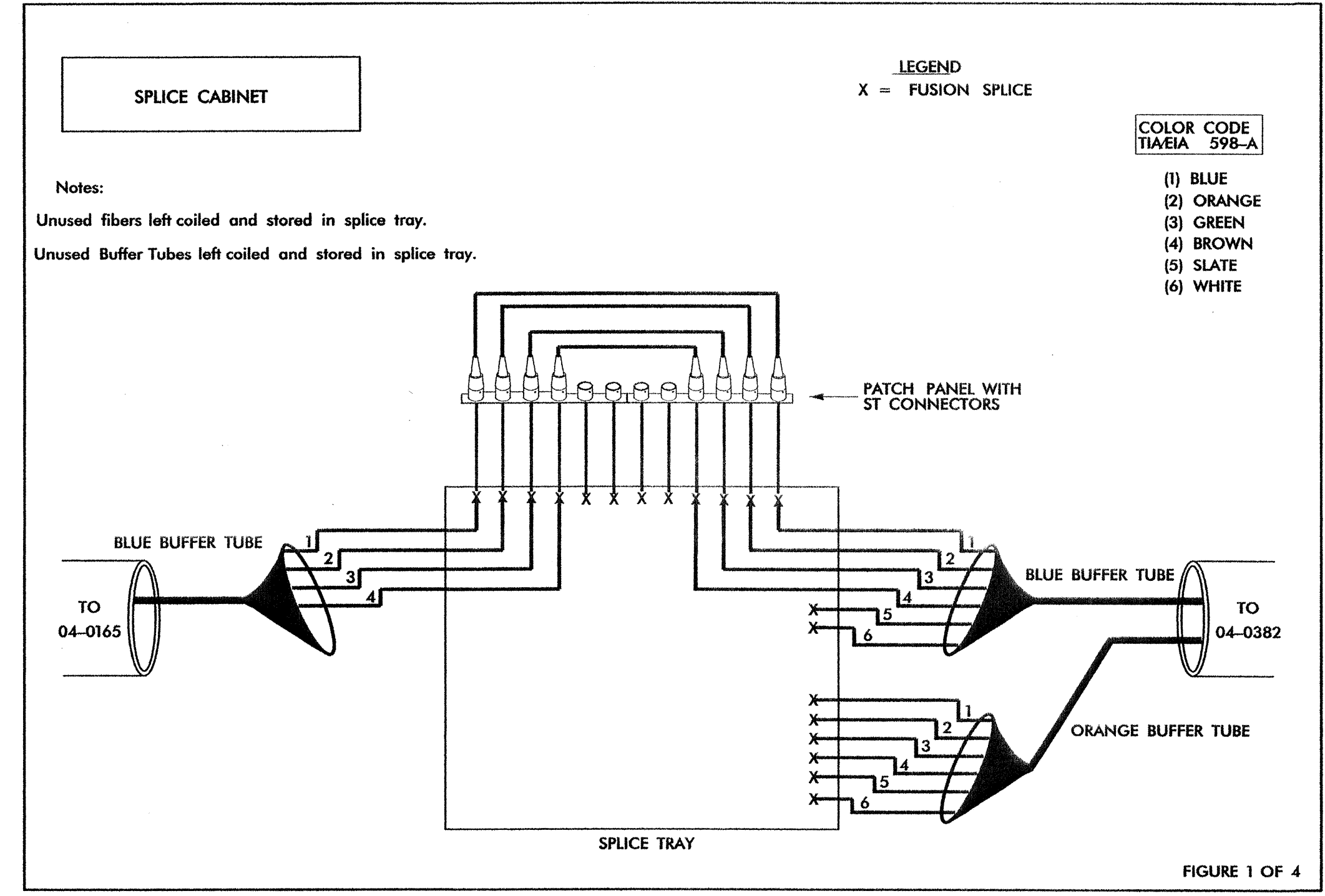


FIBER OPTIC CABLE



FURNISH PEEK CONTROLLER MODEL 3000E WITH AN INTERNAL MULTI-MODE FIBER OPTIC MODEM

SEPI ENGINEERING GROUP
2300 Rexwoods Drive
Suite 370
Raleigh, NC 27607
Tel:919-789-9977 Fax:789-9591

Prepared for:
SEPI ENGINEERING GROUP
122 N. McDowell St., Raleigh, NC 27603

SPlice PLAN	
Division 4	Edgecombe County Rocky Mount
PLAN DATE: Aug 2004	REVIEWED BY: L. W. Eddins
PREPARED BY: W. D. Yelverton	REVIEWED BY: S. S. Asefnia
REVISIONS	INIT. DATE

SEAL
SOUTH CAROLINA
2004
ENGINEER
SIDDH S. ASEFNIA

SIGNATURE: *Siddh S. Asefnia*
DATE: 8/16/04

CADD FILE NAME: U-3328UMR.dgn