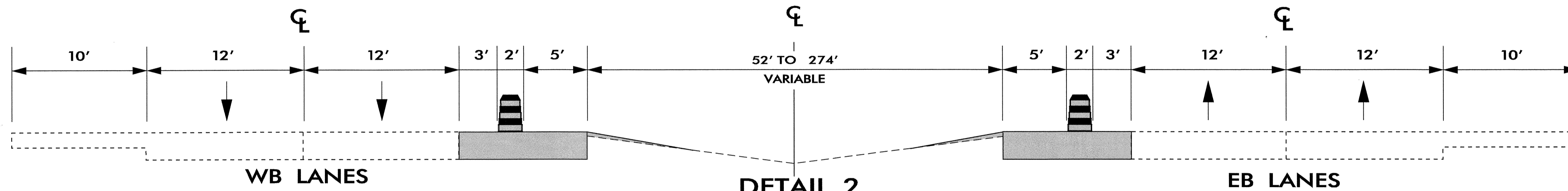
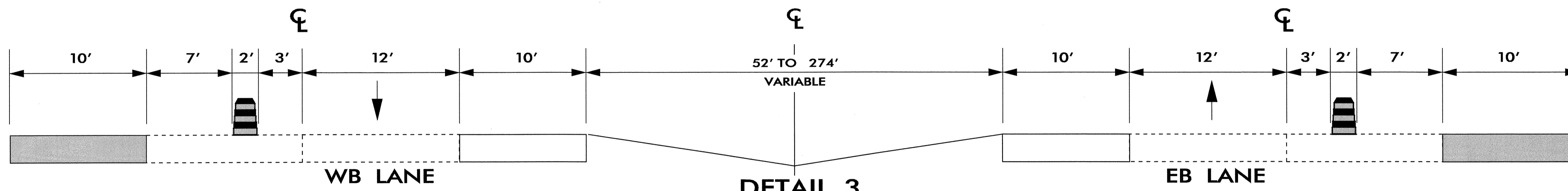


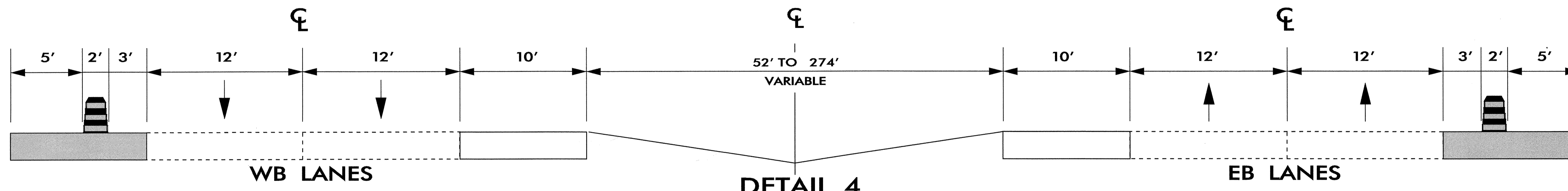
- CONSTRUCT 10' FULL DEPTH PAVEMENT (INSIDE SHOULDERS)



- WEEKEND PATTERN



- CONSTRUCT 10' FULL DEPTH PAVEMENT (OUTSIDE SHOULDERS)



- WEEKEND PATTERN

03-SEP-2004 14:31
H:\TCP\I3600_TC_Sections.dgn
tgermiller AT TETC212233

APPROVED:	DATE: 7 SEP 02	DETAILS: EXISTING THRU 4									
	SCALE: NONE										
	DATE: JANUARY 2002										
	DWG. BY: KSR										
	DESIGN BY: KSR										
REVIEWED BY: JWG		<table border="1"> <thead> <tr> <th colspan="2">REVISIONS</th> </tr> </thead> <tbody> <tr> <td> </td> <td> </td> </tr> <tr> <td> </td> <td> </td> </tr> <tr> <td> </td> <td> </td> </tr> </tbody> </table>		REVISIONS							
REVISIONS											
		CADD FILE									