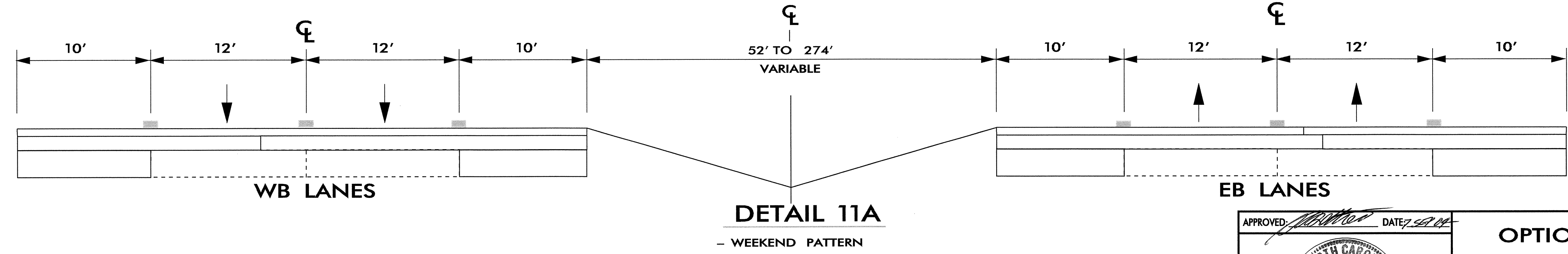
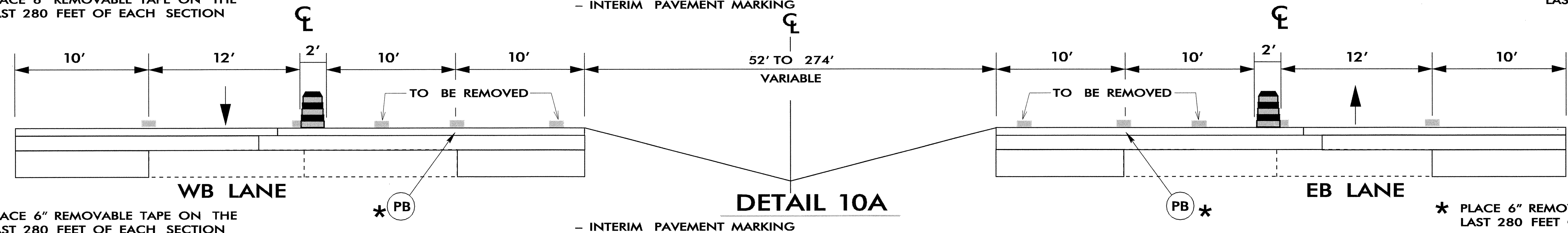
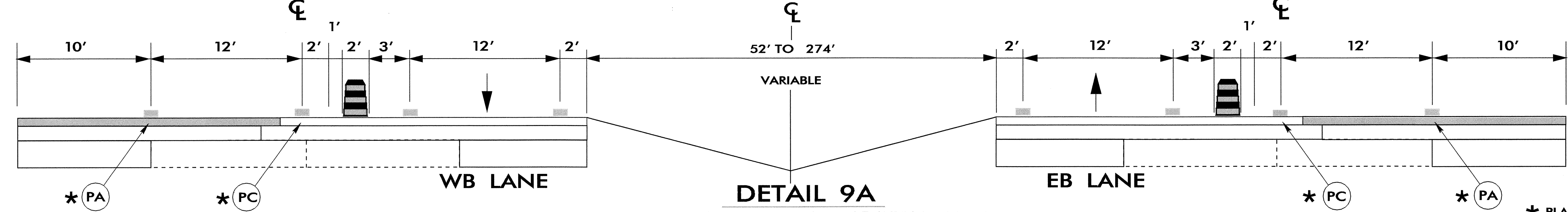
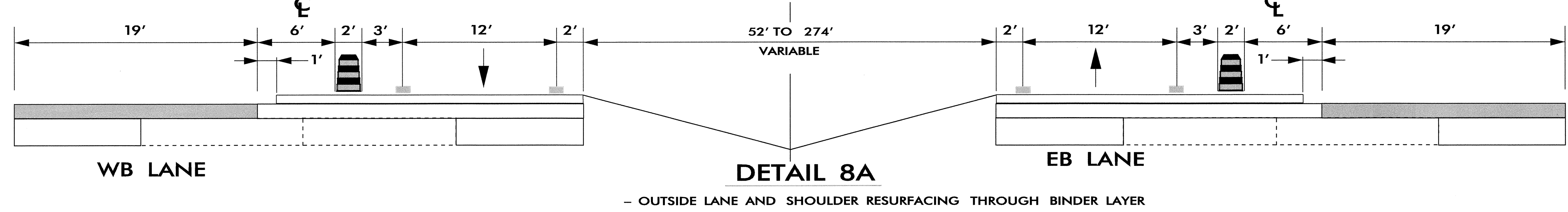
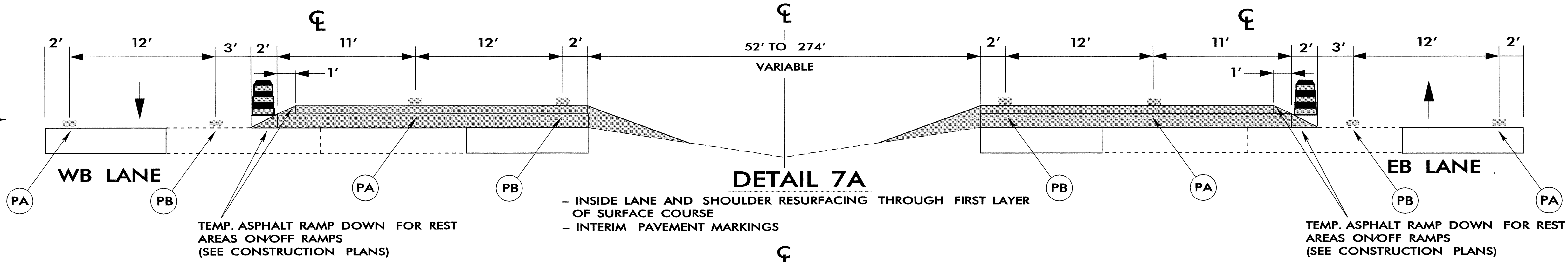


THIS WORK MUST BE FINISHED BY FRIDAY AT NOON WITH TRAFFIC RETURNED TO THE EXISTING 2-LANE, ONE-WAY PATTERNS.



APPROVED: <i>[Signature]</i> DATE: 9/24/04	<p>OPTIONAL DETAILS: 7A THRU 11A</p> <p>SCALE: NONE DATE: 08/04 DWG. BY: KSR DESIGN BY: KSR REVIEWED BY: JWG</p>		REVISIONS				
SEAL			<table border="1"> <tr><td> </td><td> </td></tr> <tr><td> </td><td> </td></tr> <tr><td> </td><td> </td></tr> </table>				