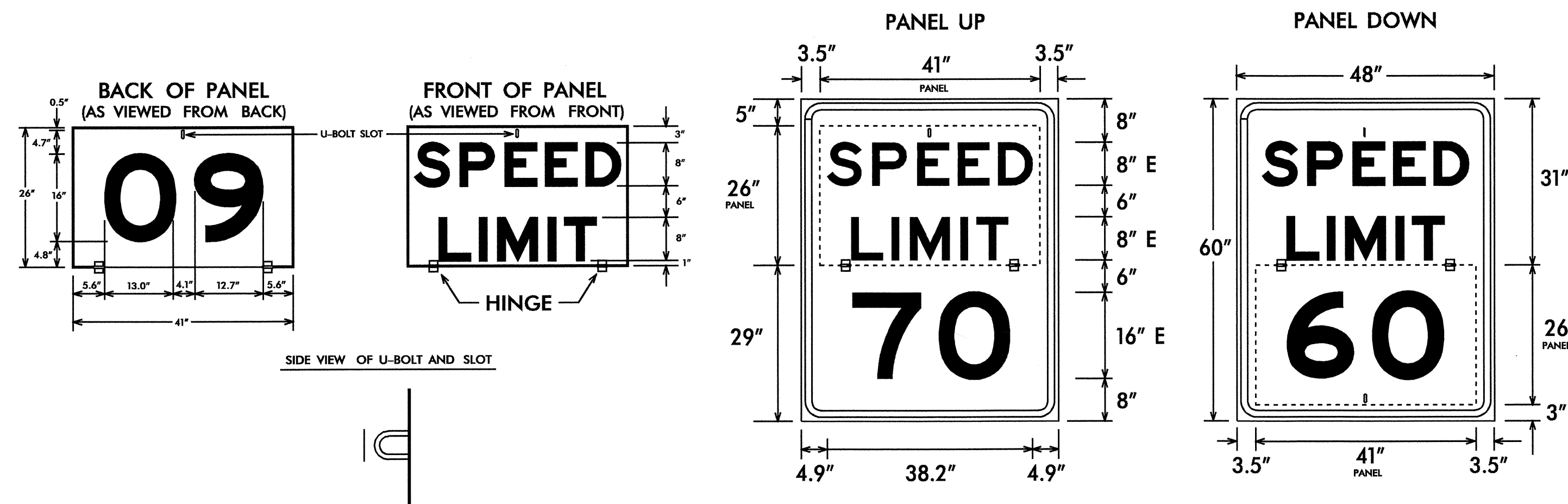


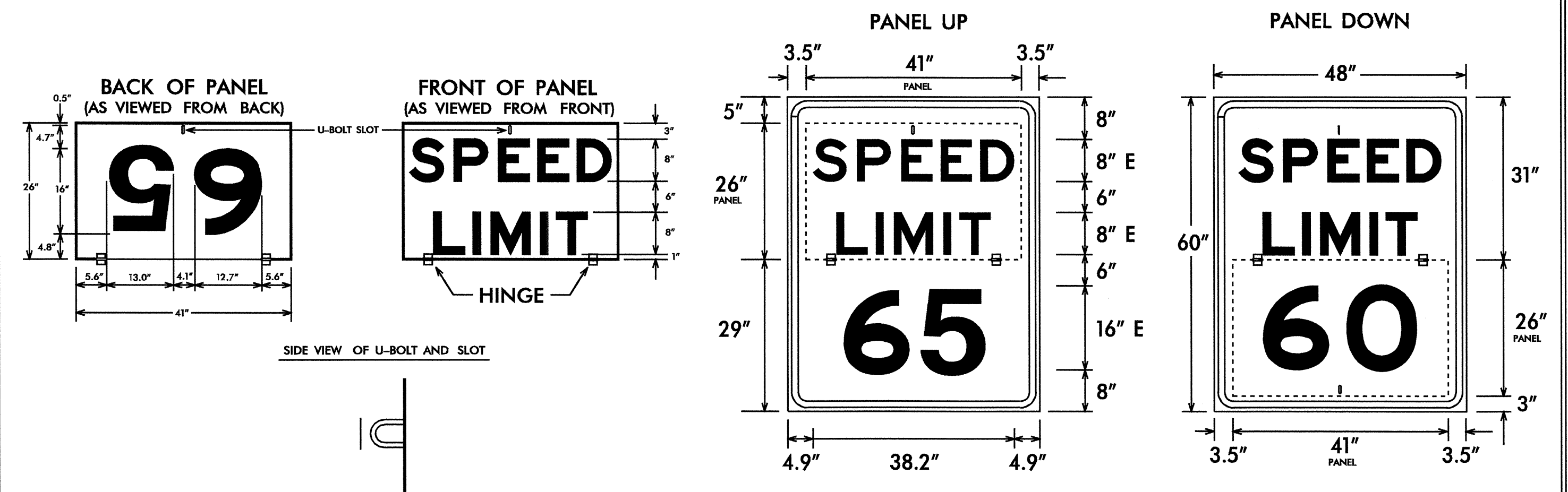
### DETAIL OF 60" x 48" SPEED LIMIT (FLIP) SIGN

FOR CONSTRUCTION ONLY



### DETAIL OF 60" x 48" SPEED LIMIT (FLIP) SIGN

FOR CONSTRUCTION ONLY



03-SEP-2004 14:51  
 H:\TCP\TC\_SignDesigns.dgn  
 Tgermiller AT TETC212233

APPROVED: <i>[Signature]</i>	DATE: 7/29/04	<b>SIGN DESIGNS</b>	
SEAL 	SCALE: NONE		REVISIONS
	DATE: 8/04		
	DWG. BY: JLE		
	DESIGN BY: JLE		
REVIEWED BY: JWG			CADD FILE