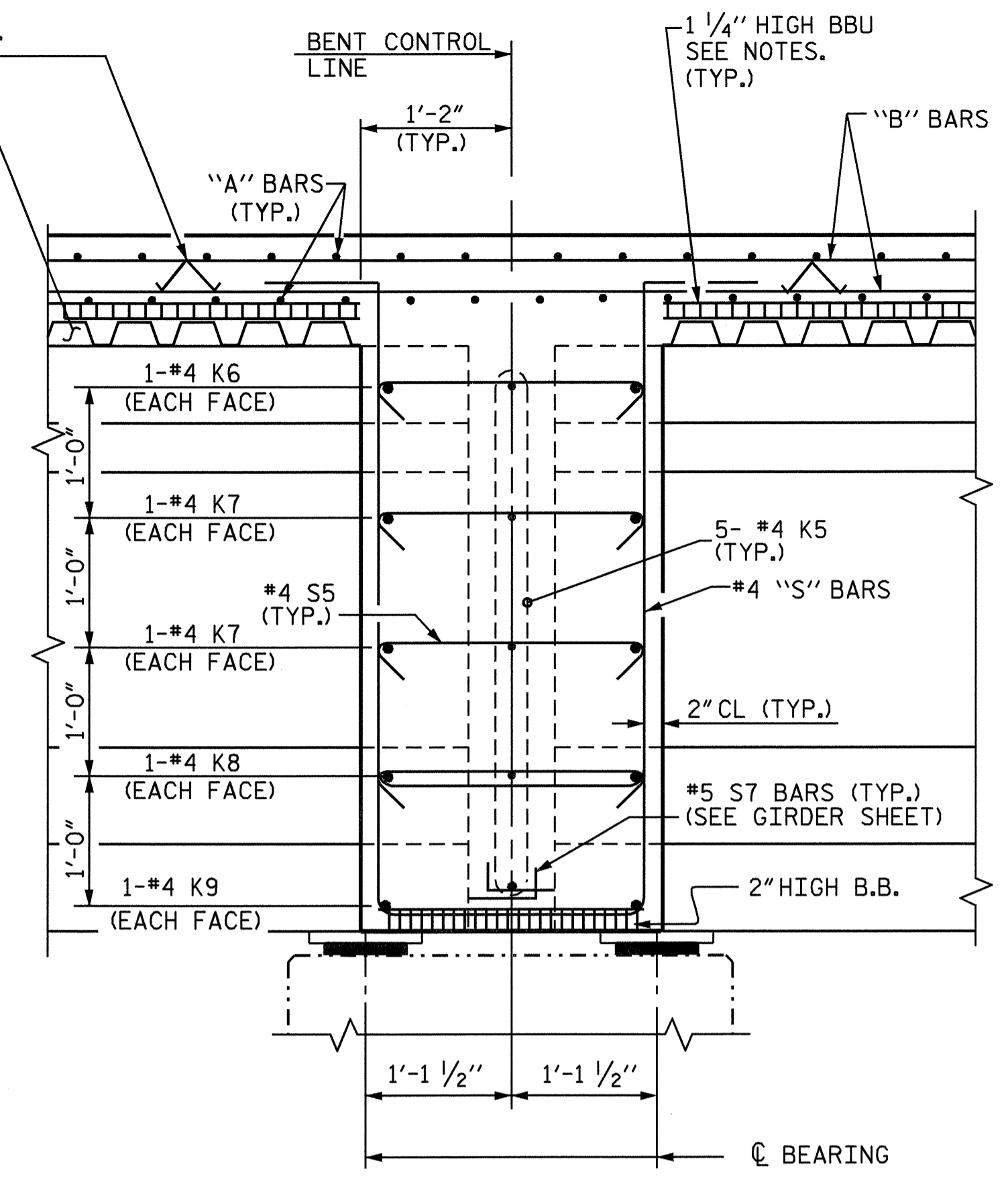
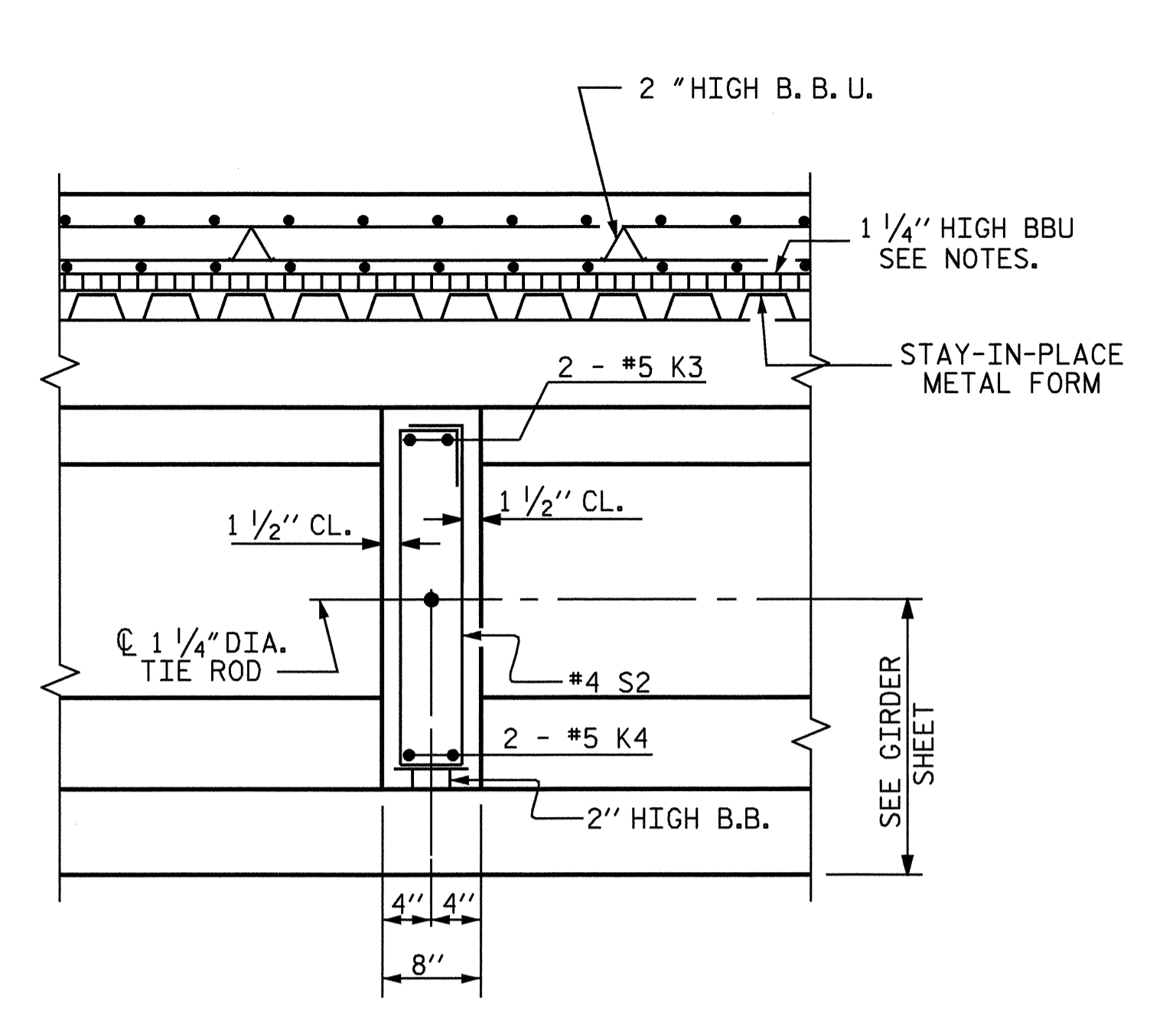


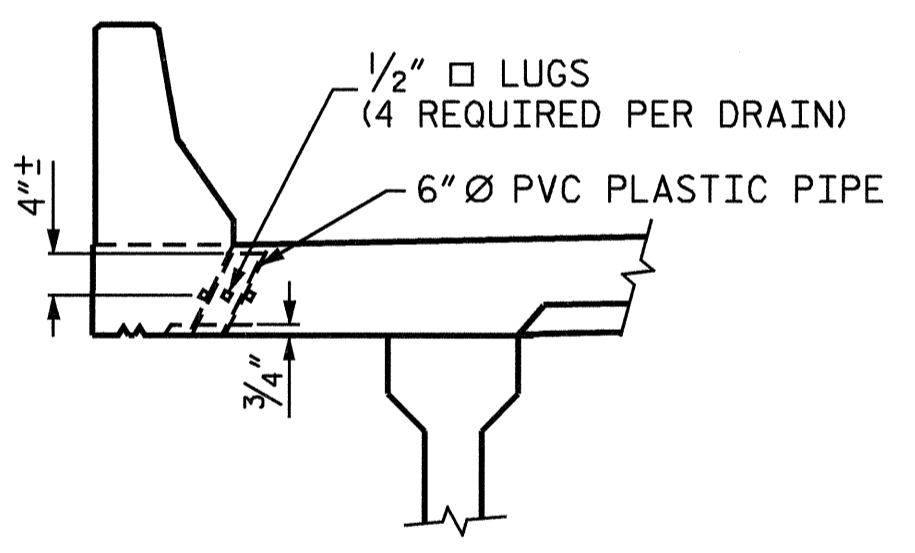
SECTION @ END BENT DIAPHRAGM



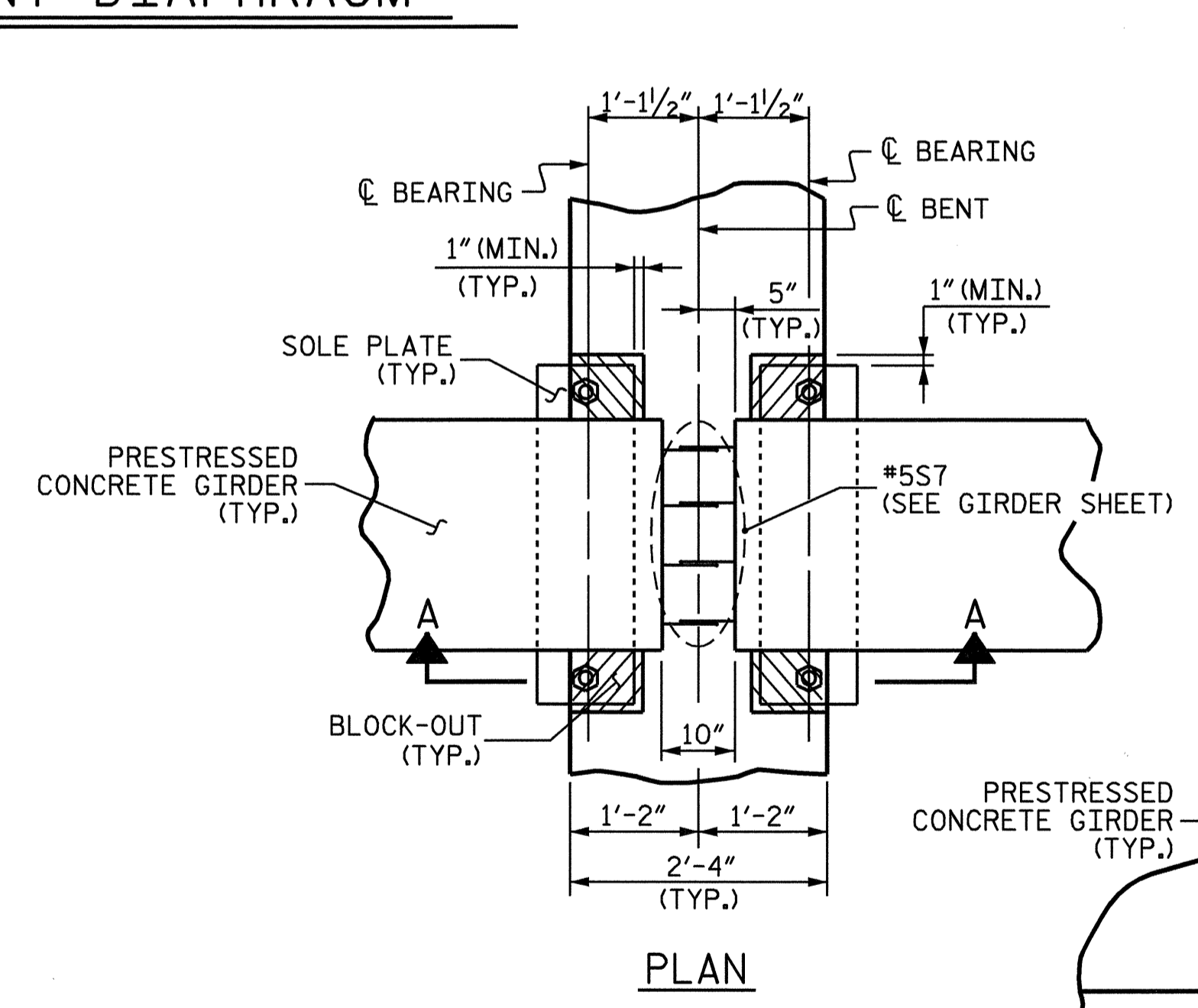
SECTION @ BENT DIAPHRAGM



SECTION @ INTERMEDIATE DIAPHRAGM

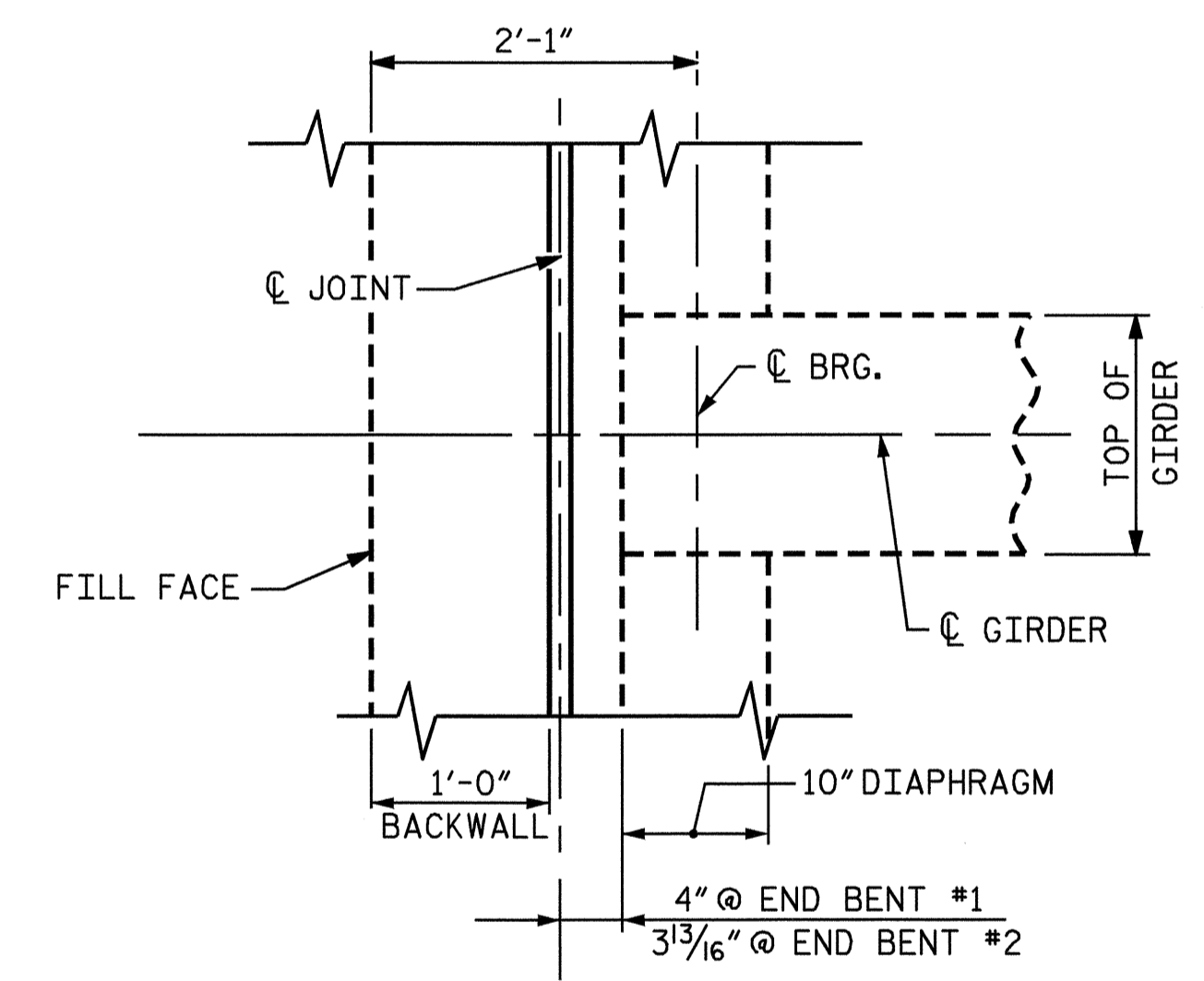


ELEVATION

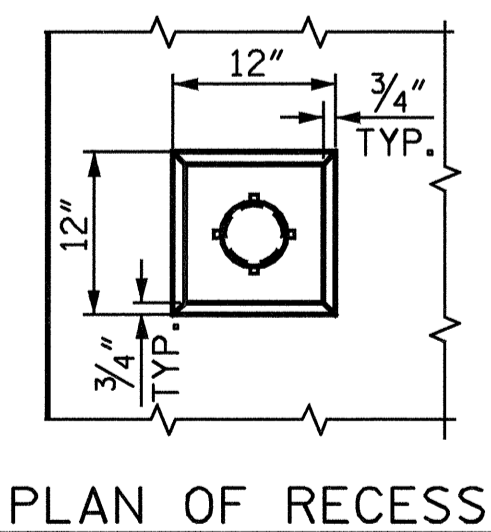


TRANSVERSE CONSTRUCTION JOINT DETAIL

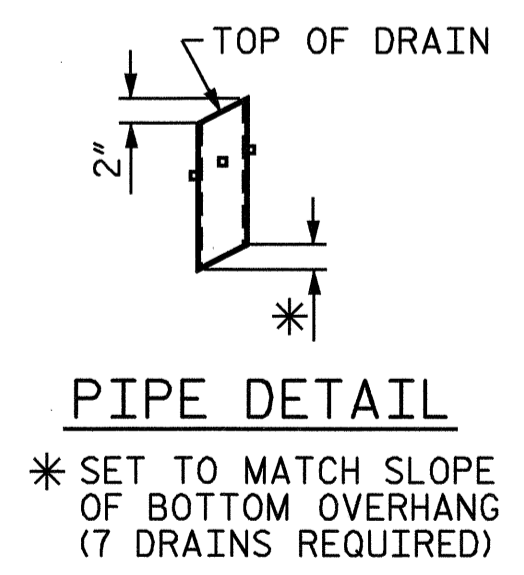
NOTE: REINFORCING STEEL IN SLAB NOT SHOWN. LONGITUDINAL REINFORCING STEEL SHALL BE CONTINUOUS THROUGH JOINT.



PLAN @ END BENT DIAPHRAGM



PLAN OF RECESS

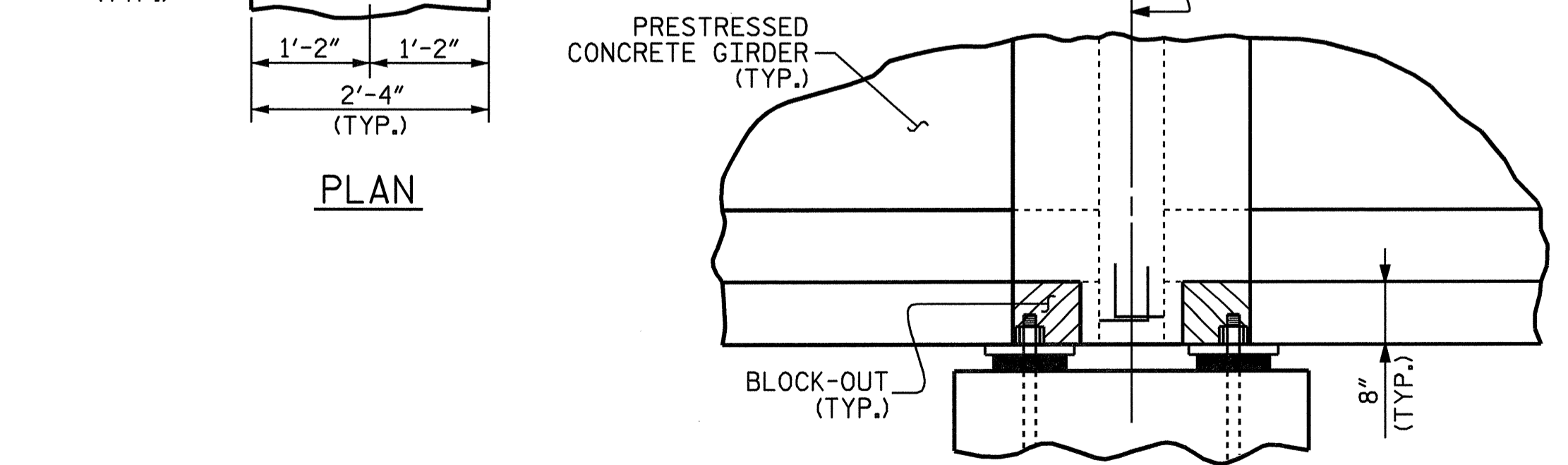


PIPE DETAIL

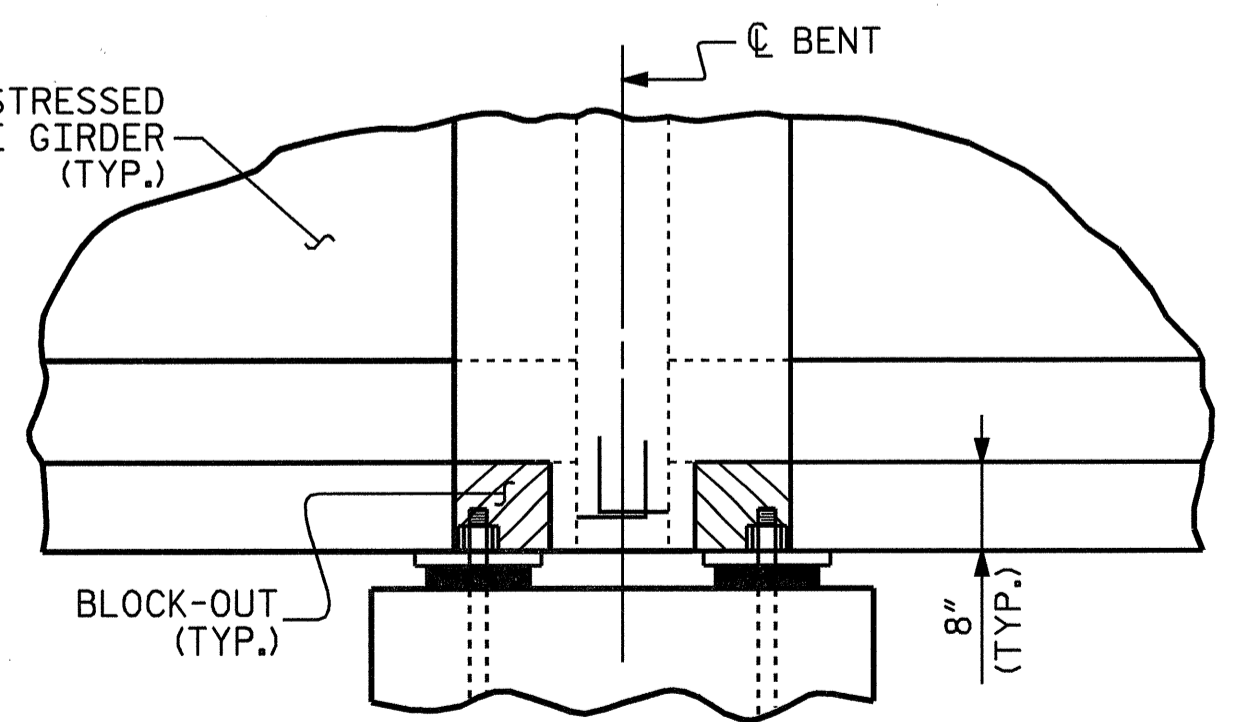
\* SET TO MATCH SLOPE OF BOTTOM OVERHANG (7 DRAINS REQUIRED)

**DRAIN DETAILS**

NOTES: TOP OF FLOOR DRAINS TO BE SET 3/8" BELOW SURFACE OF SLAB.  
 4 - 1/2" x 1/2" LUGS TO BE GLUED TO THE PVC PIPE AT EQUAL SPACES AROUND THE PIPE DRAIN. APPROXIMATELY 4" FROM THE TOP OF THE PIPE. THE 6" Ø PVC PIPE AND FITTINGS SHALL BE SCHEDULE 40 AND CONFORM TO ASTM D1785.



BENT DIAPHRAGM BLOCKOUT DETAIL

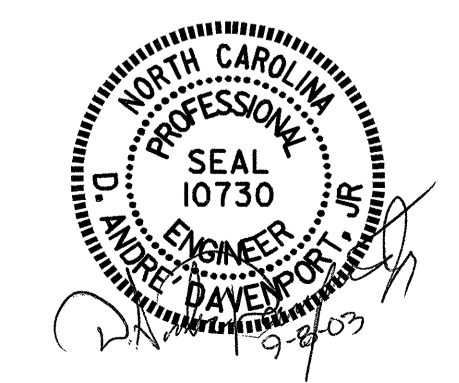


SECTION A-A

PROJECT NO. B-4334  
DAVIDSON COUNTY  
 STATION: 27+49.00 -L-

SHEET 2 OF 2

STATE OF NORTH CAROLINA  
 DEPARTMENT OF TRANSPORTATION  
 RALEIGH  
 SUPERSTRUCTURE  
 TYPICAL SECTION  
 DETAILS



REVISIONS						SHEET NO.
NO.	BY:	DATE:	NO.	BY:	DATE:	S-5
1			3			TOTAL SHEETS 34
2			4			